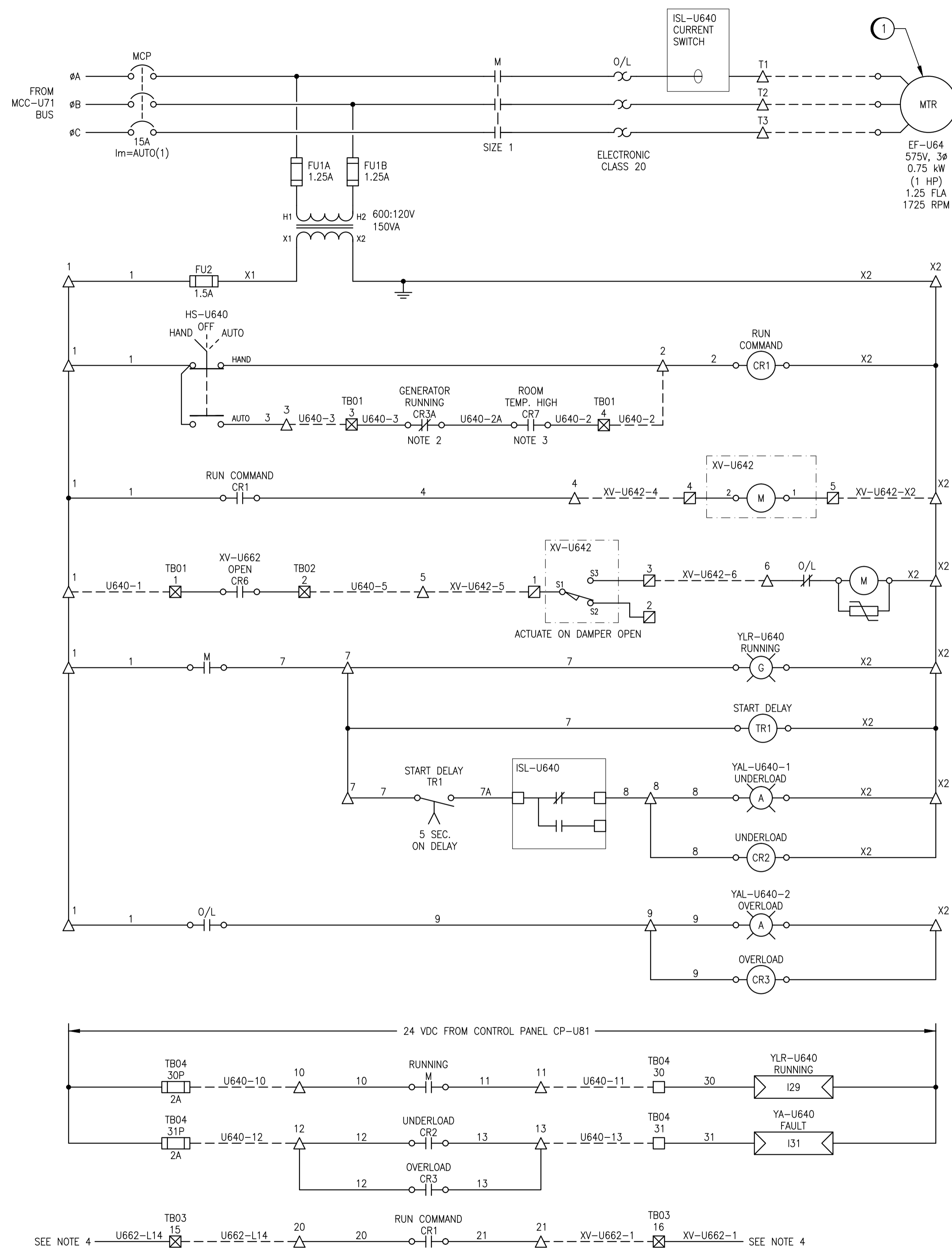


ELEMENTARY DIAGRAM:

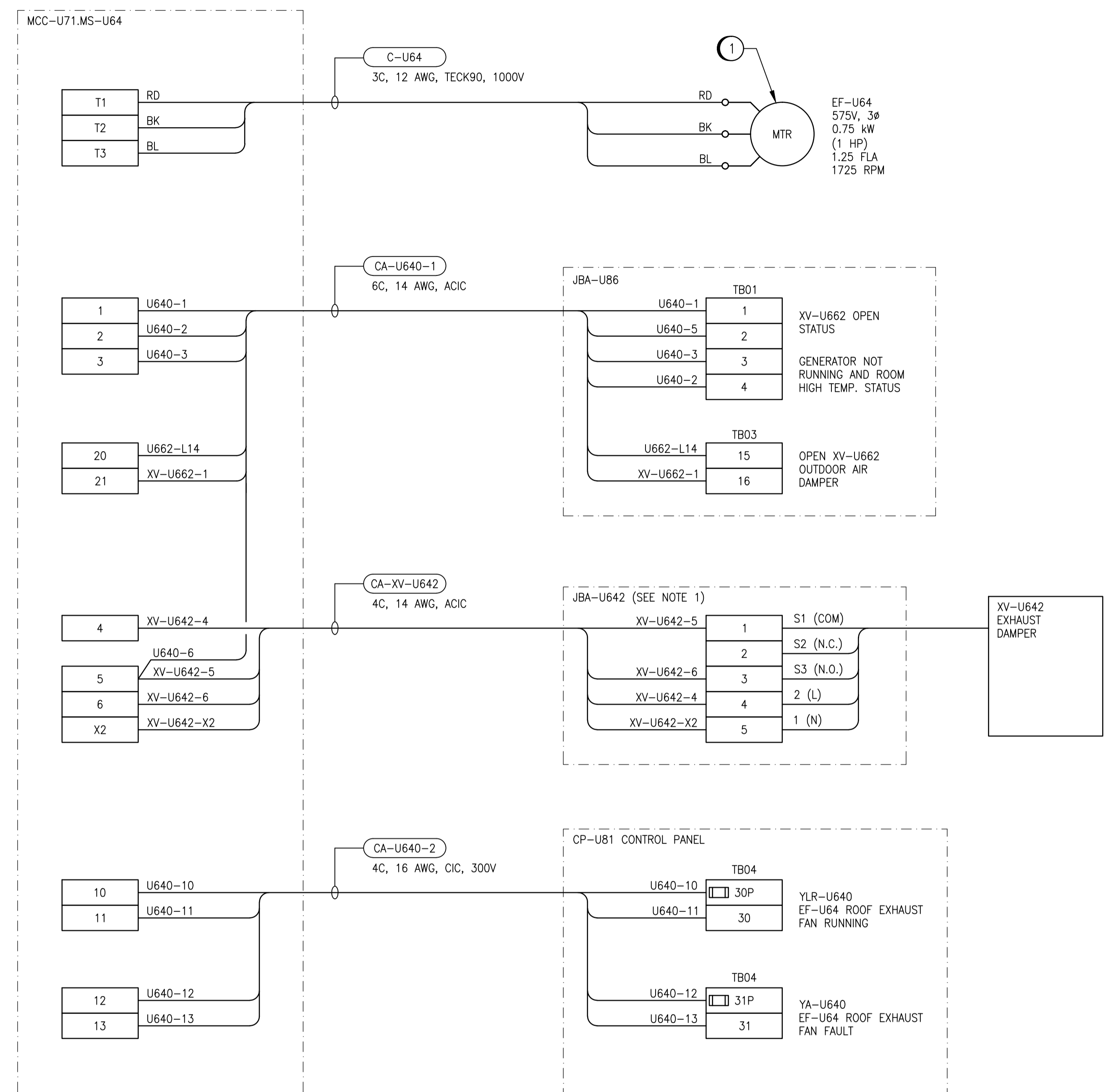


NOTES:

1. PROVIDE AND INSTALL NEW NEMA TYPE 4 JUNCTION BOX, COMPLETE WITH TERMINALS AND IDENTIFICATION LAMACOID. SEE DRAWING 1-0309U-A0027 FOR ADDITIONAL WIRING CONNECTIONS.
2. SEE DRAWING 1-0309U-A0013 FOR CR3 COIL CONNECTIONS.
3. SEE DRAWING 1-0309U-A0027 FOR CR7 COIL CONNECTIONS.
4. SEE DRAWING 1-0309U-A0027 FOR ADDITIONAL WIRING ASSOCIATED WITH OUTDOOR AIR DAMPER XV-U662.



FIELD CONNECTION DIAGRAM:



SPECIFIC NOTES

- 1 EXISTING FAN WILL BE RE-USED.

LEGEND:

- △ TERMINAL IN MOTOR STARTER PANEL
- TERMINAL IN CONTROL PANEL CP-U81
- ⊠ TERMINAL IN JUNCTION BOX
- ⊞ TERMINAL IN JUNCTION BOX
- ⊞ TERMINAL IN VENTILATION JUNCTION BOX JBA-U86
- ⊞ INDICATING LIGHT, G = GREEN, A = AMBER
- ⊞ PLC INPUT

DRAWING NUMBER	REFERENCE DRAWINGS
----------------	--------------------

00	ISSUED FOR TENDER, BID OPP. 475-2018	2018/05/09	BC	PP
NO.	REVISIONS	DATE	DESIGN	CHECK

 SNC-LAVALIN INC. 148 Nature Park Way Winnipeg, MB, Canada R3P 0X7 204-786-8080	
DESIGNED BY: B. CLEVEN	CHECKED BY: P. PANUFNIK
DRAWN BY: S. HAILU	APPROVED BY: B. CLEVEN
SCALE: NTS	ISSUED FOR CONSTRUCTION
DATE: 2018/02/05	DATE:
CONSULTANT NO.:	

ENGINEER'S SEAL
PRELIMINARY
 NOT TO BE
 USED FOR
 CONSTRUCTION

 THE CITY OF WINNIPEG WATER AND WASTE DEPARTMENT	
METRO ROUTE 20 UNDERPASS PUMPING STATION 2018 UPGRADES MOTOR STARTER SCHEMATIC EF-U64 MAIN FLOOR ROOF EXHAUST FAN	
CITY DRAWING NUMBER 1-0309U-E0015	SHEET REV. SIZE 001 00 A1