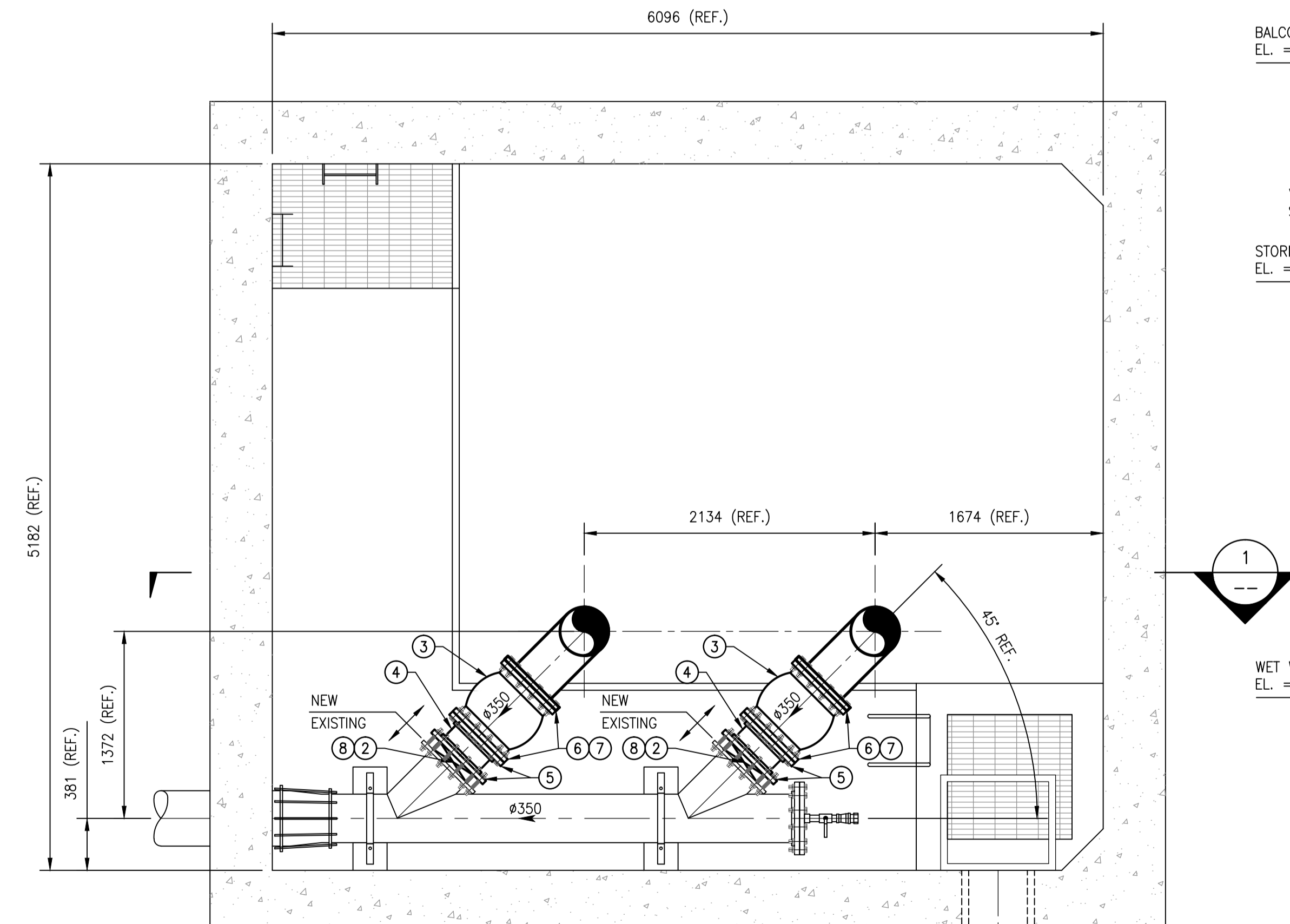
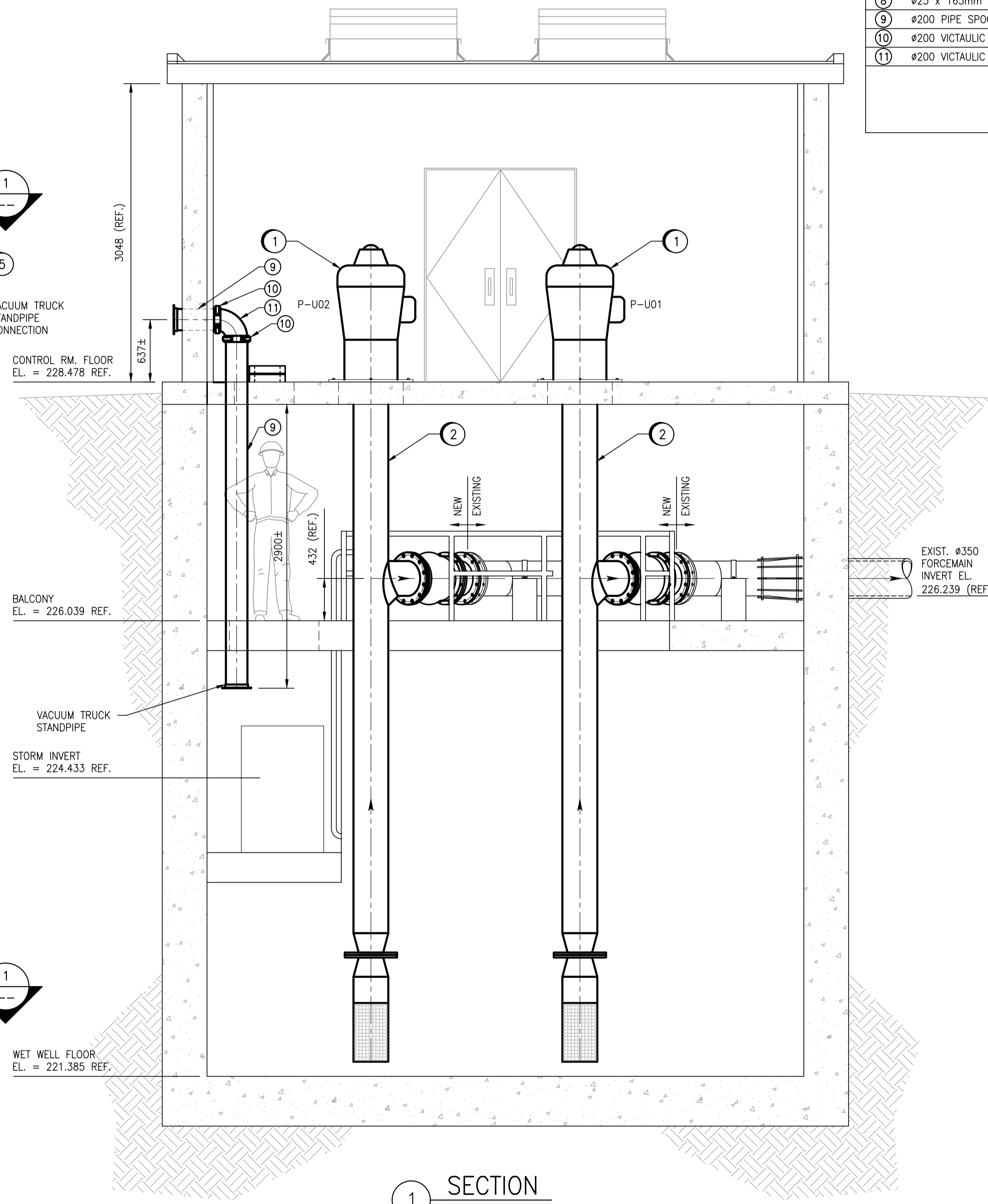


MAIN FLOOR FLOOR PLAN - NEW WORK
 SCALE: 1 : 30
 EL. = 228.478 REF.



BALCONY FLOOR PLAN - NEW WORK
 SCALE: 1 : 30
 EL. = 226.039 REF.



SECTION 1
 1 : 30

MATERIALS LIST

ITEM	DESCRIPTION	ENDS	QUANTITY
1	COLUMN PUMP	FL	2
2	Ø350 BUTTERFLY VALVE C/W GEAR ACTUATOR	FL	2
3	Ø350 CHECK VALVE	FL	2
4	Ø350 PIPE SPOOL	PE x PE	AS REQ'D
5	Ø350 STEEL SLIP ON FLANGE, 150# RAISED FACE	FL	1
6	Ø350 x 3mm TH. GASKET	-	4
7	Ø25 x 110mm LG. BOLT C/W HEAVY HEX NUT	TH	48
8	Ø25 x 165mm LG. BOLT C/W HEAVY HEX NUT	TH	24
9	Ø200 PIPE SPOOL	PE x GRV	AS REQ'D
10	Ø200 VICTAULIC COUPLING	-	2
11	Ø200 VICTAULIC SHORT RADIUS 90° ELBOW	-	1

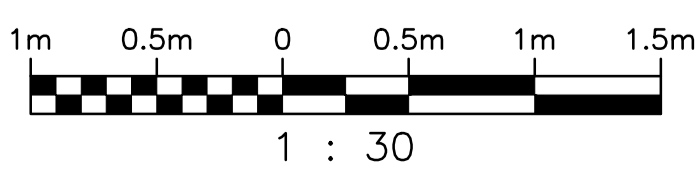
GENERAL NOTES:

- ALL LENGTHS & DIMENSIONS SHOWN ARE TO BE FIELD CONFIRMED BY CONTRACTOR.
- COORDINATE WITH DIVISION 26 WHERE EQUIPMENT THAT REQUIRES NEW ELECTRICAL IS TO BE INSTALLED.
- ALL BUILDING MODIFICATIONS REQUIRED FOR THE INSTALLATION OF MECHANICAL EQUIPMENT ARE PART OF THE CONTRACTORS SCOPE OF WORK.
- ALL NEW PIPE, FITTINGS, FLANGES & SUPPORTS TO BE PAINTED AS PART OF THE CONTRACTORS SCOPE OF WORK.

NEW WORK NOTES:

- INSTALL COLUMN PUMP MOTOR AND LUBRICATION SYSTEM.
- INSTALL NEW COLUMN PUMP.
- INSTALL NEW NATURAL GAS GENERATOR ON NEW HOUSEKEEPING PAD.
- INSTALL NEW NATURAL GAS GENERATOR EXHAUST PIPING THRU EXISTING ROOF OPENING.
- CONTRACTOR TO CORE DRILL HOLE FOR PIPING. CONTRACTOR IS RESPONSIBLE TO CONDUCT NON-DESTRUCTIVE TEST (NDT) TO IDENTIFY REBAR LOCATIONS. CONTRACT ADMINISTRATOR TO BE CONTACTED/INFORMED OF REBAR LOCATIONS. CORE DRILLING SHALL NOT PROCEED UNTIL CONTRACT ADMINISTRATOR APPROVES.
- INSTALL EXISTING METER AND REGULATOR AT NEW LOCATION.

APEGM
 Certificate of Authorization
SNC-Lavalin Inc.
 No. 4489



NO.	REVISIONS	DATE	DESIGN	CHECK
00	ISSUED FOR TENDER, BID OPP. 475-2018	2018/05/09	FZ	BC

SNC-Lavalin Inc.
 148 Nature Park Way
 Winnipeg, MB, Canada R3P 0X7
 204-786-8080

DESIGNED BY: F. ZURZOLO
 DRAWN BY: C. FETTERLY
 SCALE: AS NOTED
 DATE: 2018/01/15

CHECKED BY: B. CLEVEN
 APPROVED BY: B. CLEVEN
 ISSUED FOR CONSTRUCTION BY: B. CLEVEN
 DATE:

ENGINEER'S SEAL
PRELIMINARY
 NOT TO BE
 USED FOR
 CONSTRUCTION

THE CITY OF WINNIPEG
 WATER AND WASTE DEPARTMENT

METRO ROUTE 20 UNDERPASS PUMPING STATION
 2018 UPGRADES
 PLAN & SECTIONS
 MECHANICAL
 NEW WORK

CITY DRAWING NUMBER: 1-0309U-M0005
 SHEET: 001
 REV.: 00
 SIZE: A1