

ELEVATION
SCALE: 1 : 10
VIEW ROTATED TO MATCH PLAN

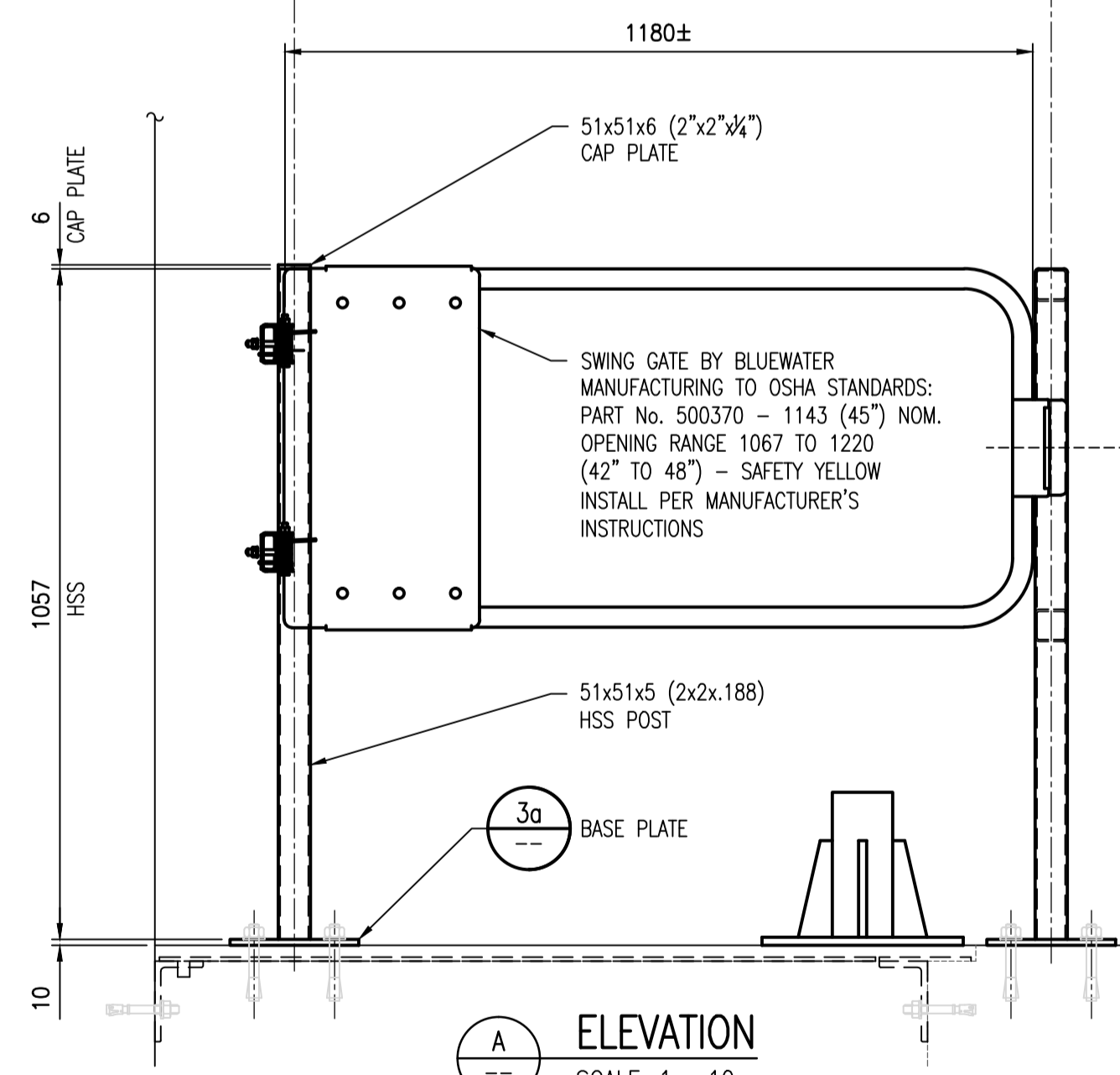
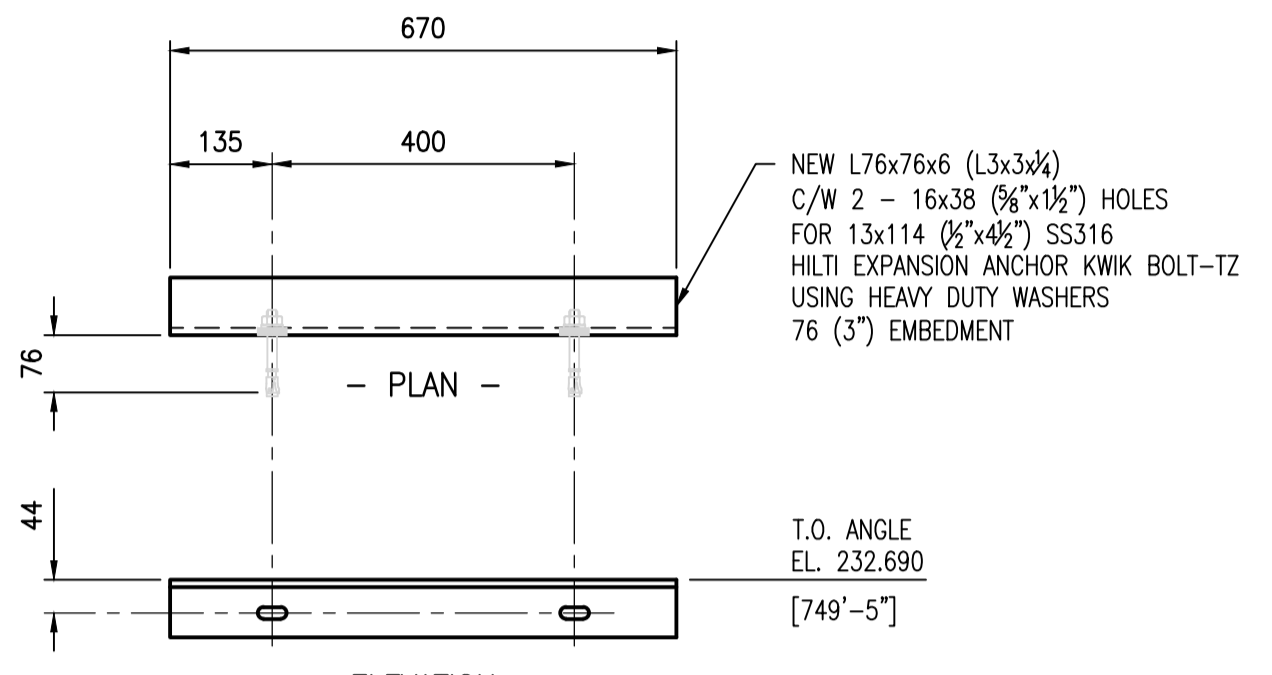
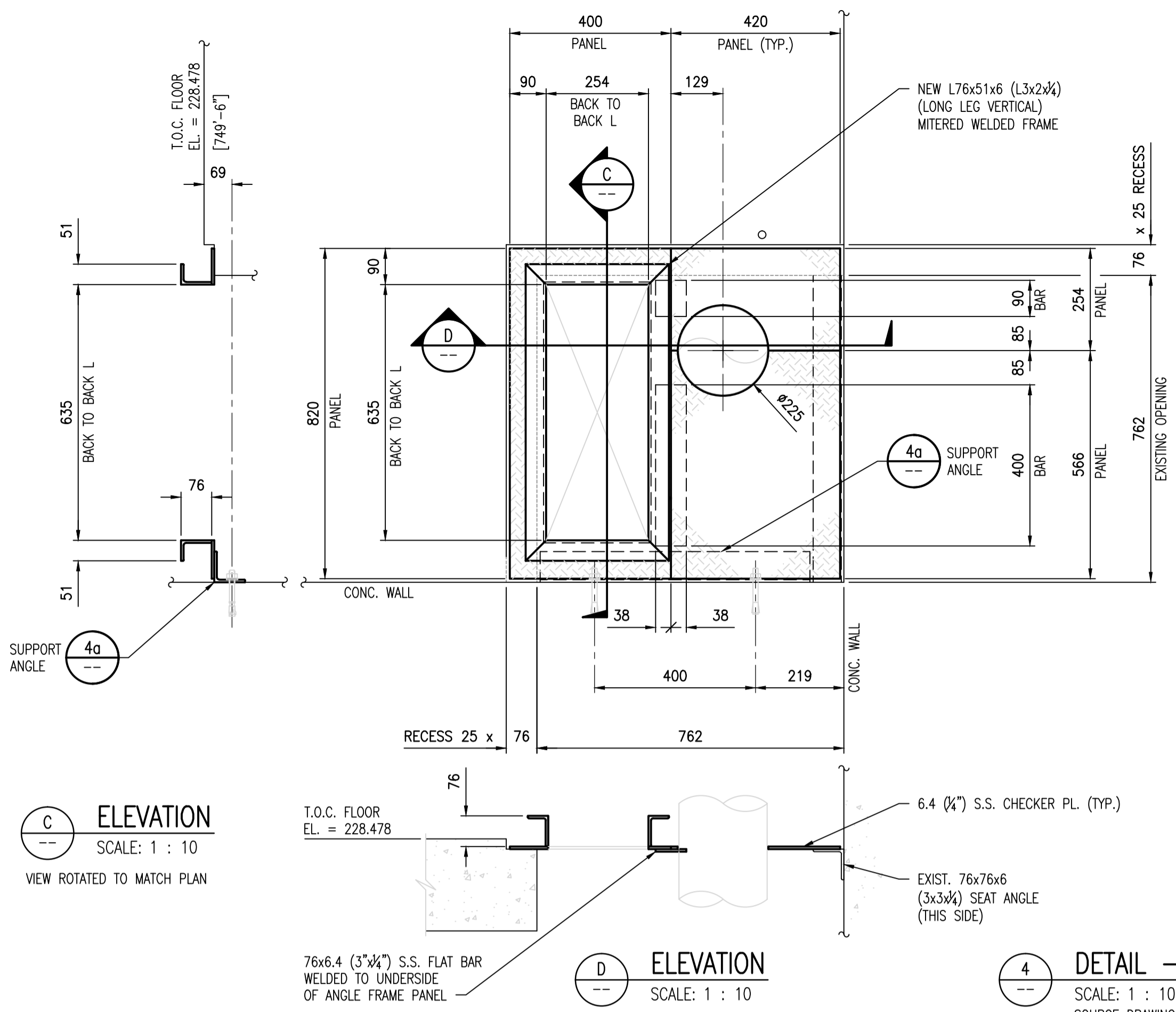
ELEVATION
SCALE: 1 : 10

DETAIL - SUPPORT ANGLE
SCALE: 1 : 10
ONE REQUIRED AS SHOWN

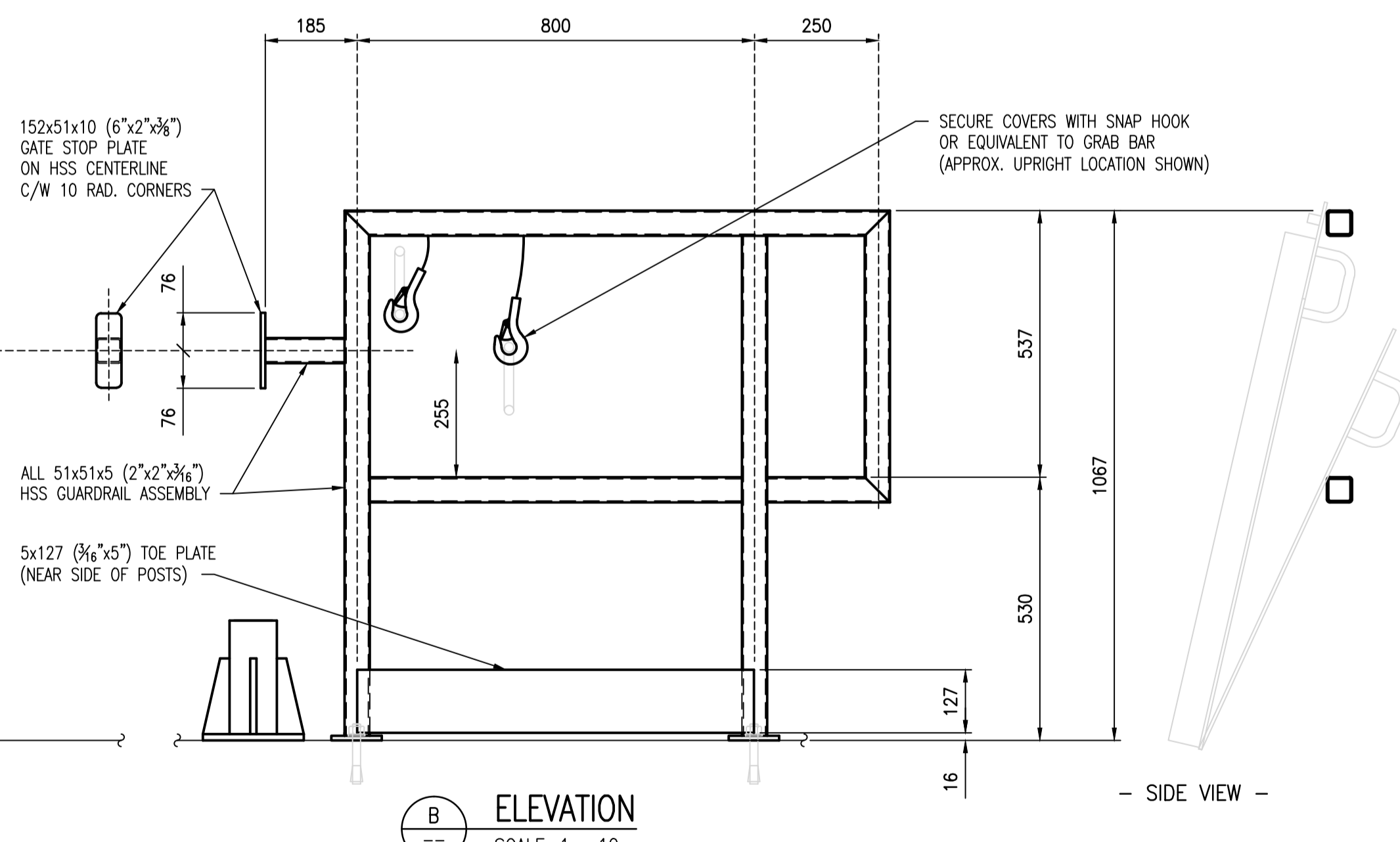
DETAIL - HATCHWAY COVER
SCALE: 1 : 10
SOURCE DRAWING 1-0309U-S0001
ALL STRUCTURAL 304 S.S. SHAPES AND PLATES CONFORM TO AISA 430 AND ASTM A276.

NOTES:

- SEE DRAWING 1-0310U-S0001 FOR GENERAL NOTES.
- SEE DRAWING 1-0310U-S0002 FOR STRUCTURAL NOTES.
- TAKE CARE NOT TO DAMAGE EXIST. CONCRETE REINF. WHEN INSTALLING GUARDRAIL SUPPORTS. REFER TO NOTES ON DRAWING 1-0309U-S0002 FOR INSTALLATION PROCEDURE.
- CUT OFF & GRIND FLUSH ALL OLD ANCHOR BOLTS.



ELEVATION
SCALE: 1 : 10



ELEVATION
SCALE: 1 : 10

- SIDE VIEW -

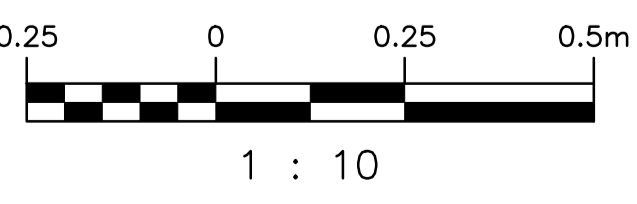
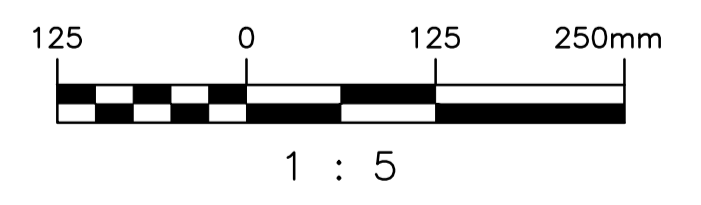
DETAIL - SWING GATE / POST ASSEMBLY
SCALE: 1 : 10
SOURCE DRAWING 1-0309U-S0001

DETAIL - GUARDRAIL ASSEMBLY
SCALE: 1 : 10
SOURCE DRAWING 1-0309U-S0001

DETAIL - BASE PLATE
SCALE: 1 : 5
(3 REQUIRED)

ALL 10 (3/8) PLATE
C/W 5 RAD. ROUNDED CORNERS
ALL 19x38 (3/4x1 1/2) SLOTTED HOLES FOR 16 (3/8) HILTI KB3 304 S.S. ANCHORS (TYP.)
MIN. CONC. EMBEDMENT - 125 (5")

NOTE - LOCATE HANDRAIL MOUNTING PLATES AS REQUIRED TO CLEAR EXIST. CONCRETE REINFORCING (TYP.)



DRAWING NUMBER	REFERENCE DRAWINGS
785-G220	RELOCATION OF ROUTE 20 - PUMPING STATION MECHANICAL LAYOUT
785-G218	RELOCATION OF ROUTE 20 - WET WELL LAYOUT - REINFORCED CONCRETE
785-G217	RELOCATION OF ROUTE 20 - CONTROL ROOM LAYOUT P-957

NO.	REVISIONS	DATE	DESIGN	CHECK
00	ISSUED FOR TENDER, BID OPP. 475-2018	2018-05-09	KK	BJC

 SNC-LAVALIN INC. 148 Nature Park Way Winnipeg, MB, Canada R3P 0X7 204-786-8080	
DESIGNED BY: K. KOTYK	CHECKED BY: D. SIDHU
DRAWN BY: B. DICKSON	APPROVED BY: B. CLEVEN
SCALE: AS SHOWN	ISSUED FOR CONSTRUCTION BY: DATE:
DATE: 2018/03/22	DATE:
CONSULTANT NO.:	

ENGINEER'S SEAL

PRELIMINARY
NOT TO BE USED FOR CONSTRUCTION

THE CITY OF WINNIPEG
 WATER AND WASTE DEPARTMENT

METRO ROUTE 20 UNDERPASS PUMPING STATION
 2018 UPGRADES
 PLANS, ELEVATIONS AND DETAILS
 HATCH COVER AND GUARDRAIL ASSEMBLIES

CITY DRAWING NUMBER 1-0309U-S0003	SHEET 001	REV. 00	SIZE A1
---	---------------------	-------------------	-------------------

1-0309U-S0003.dwg