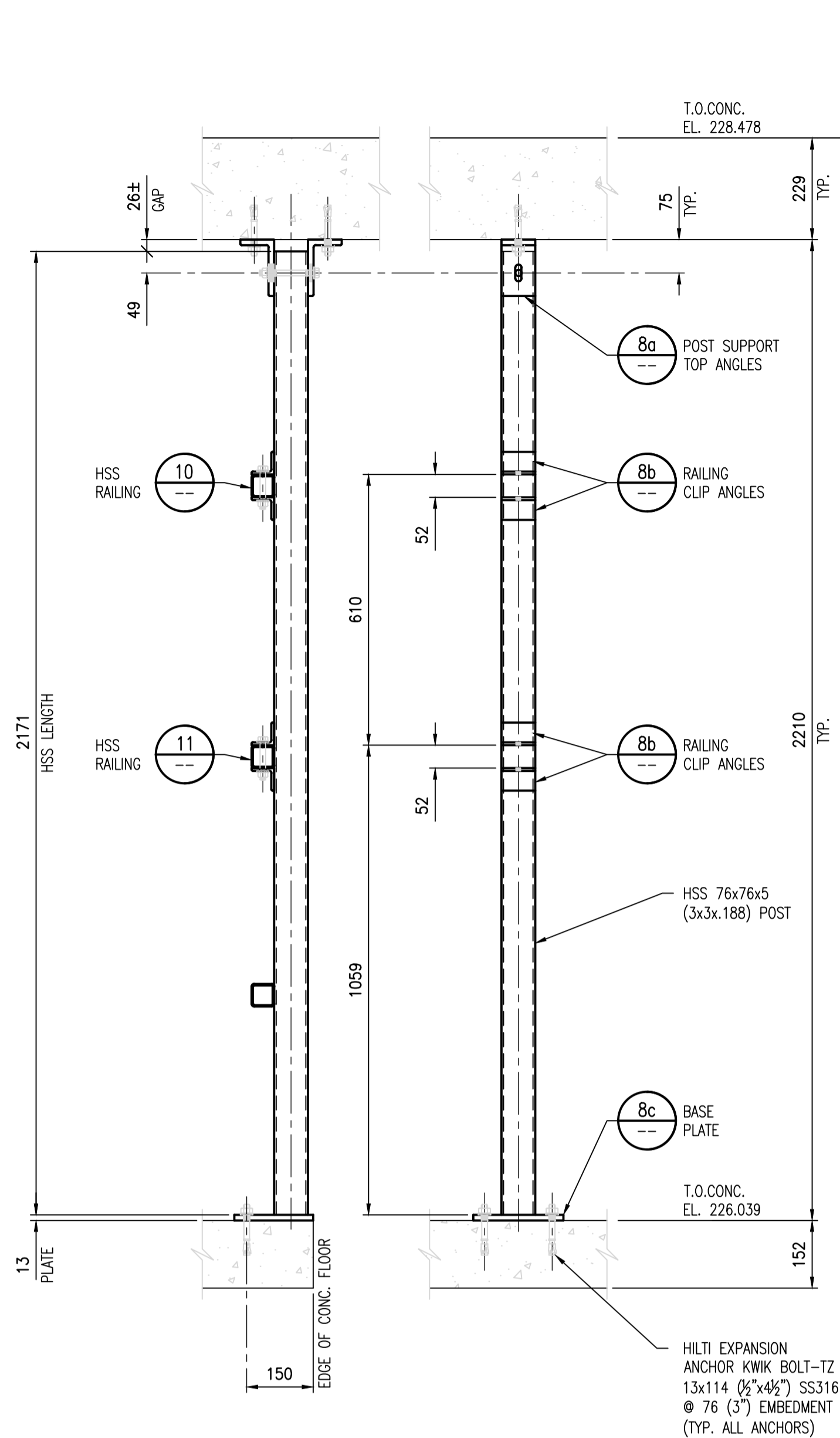
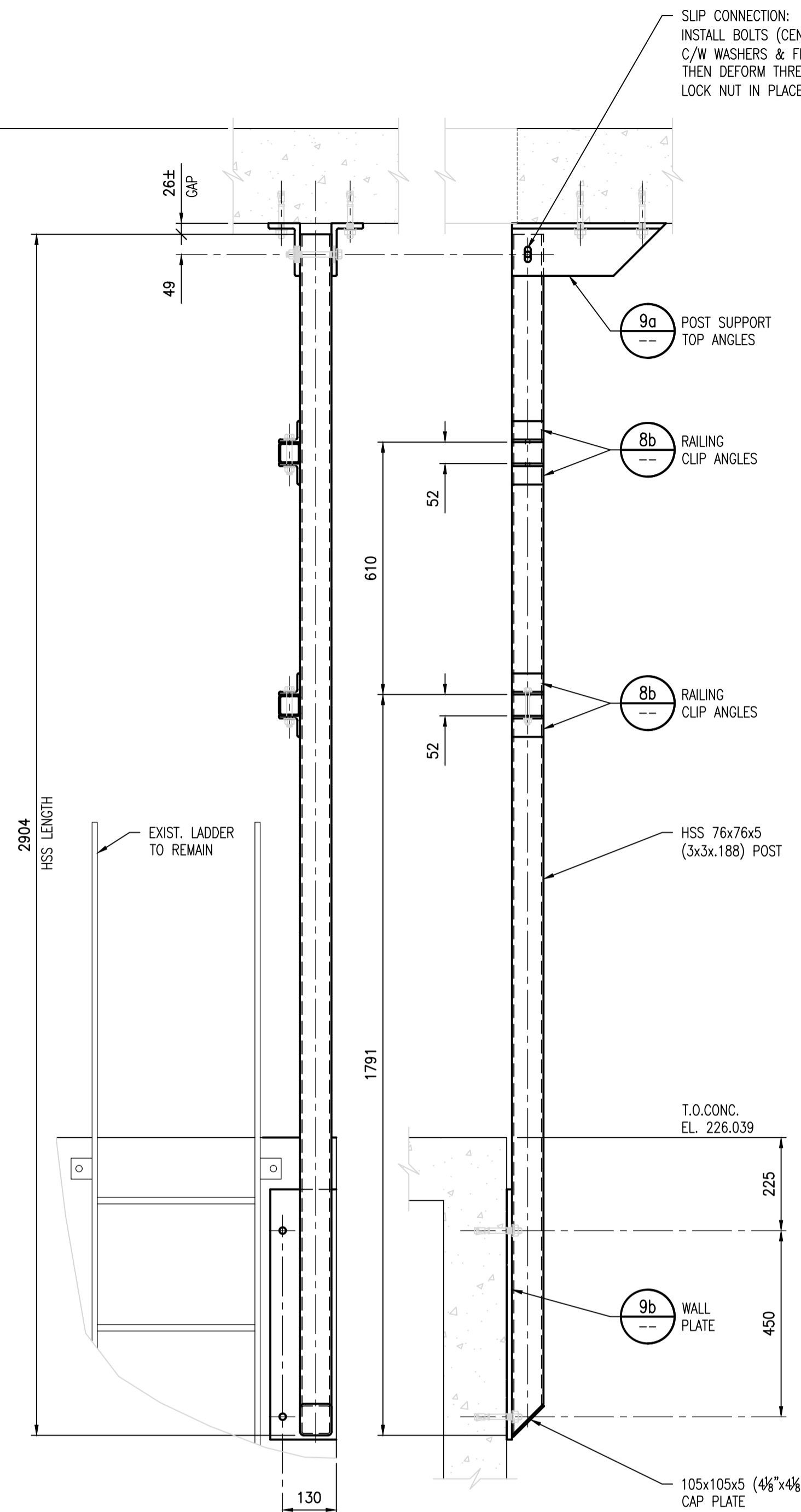


**NOTES:**

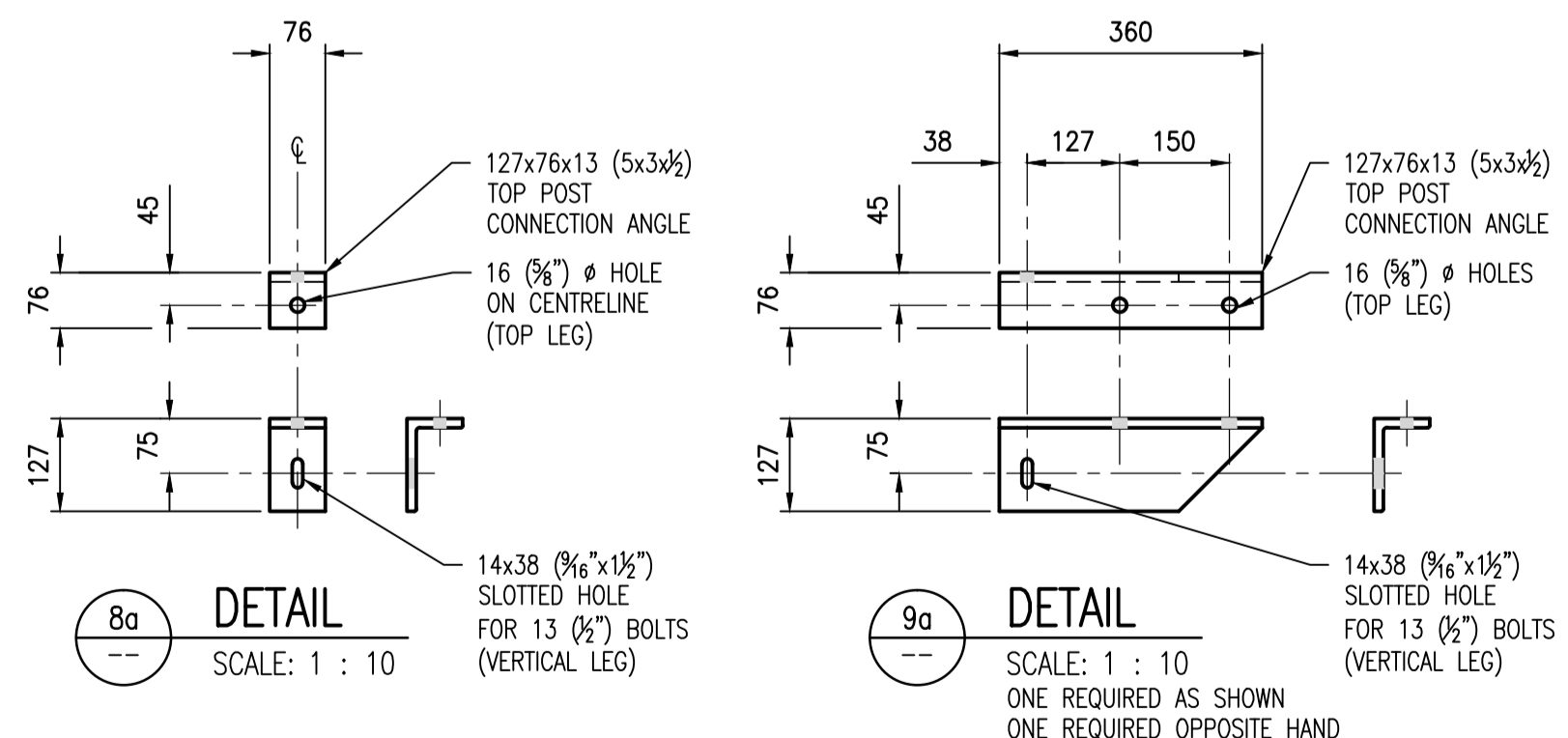
- SEE DRAWING 1-0310U-S0001 FOR GENERAL NOTES.
- SEE DRAWING 1-0310U-S0002 FOR STRUCTURAL NOTES.



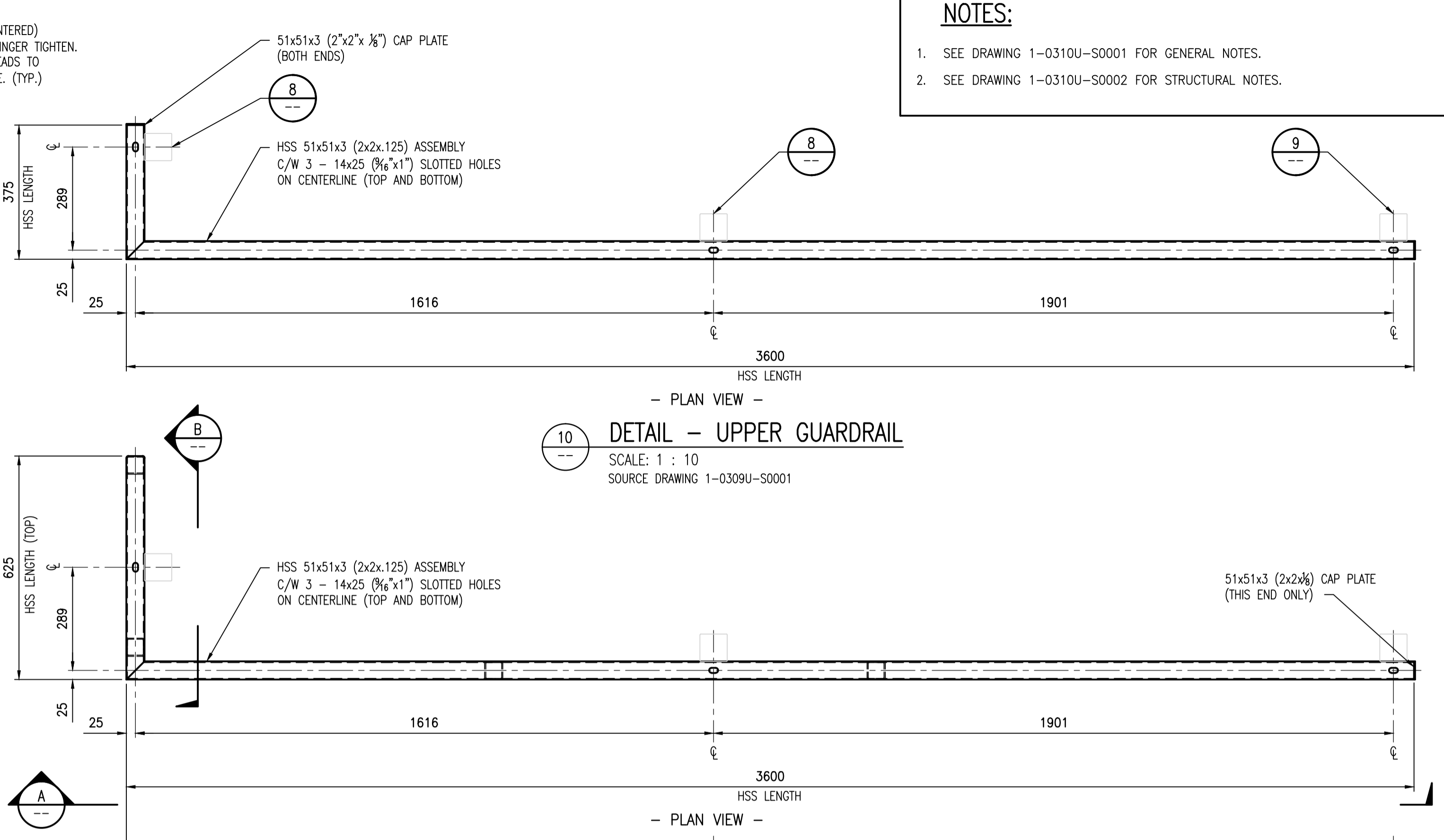
**8** DETAIL - POST ASSEMBLY  
 SCALE: 1 : 10  
 SOURCE DRAWING 1-0309U-S0001  
 TWO ASSEMBLIES REQUIRED AS SHOWN



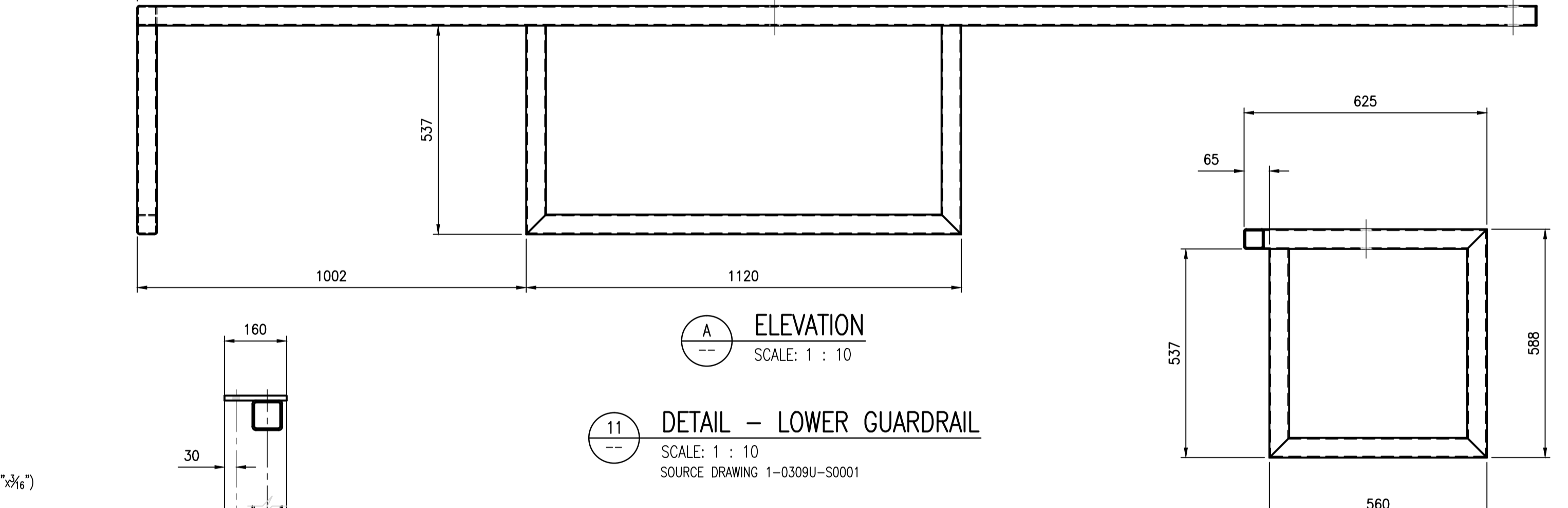
**9** DETAIL - POST ASSEMBLY  
 SCALE: 1 : 10  
 SOURCE DRAWING 1-0309U-S0001



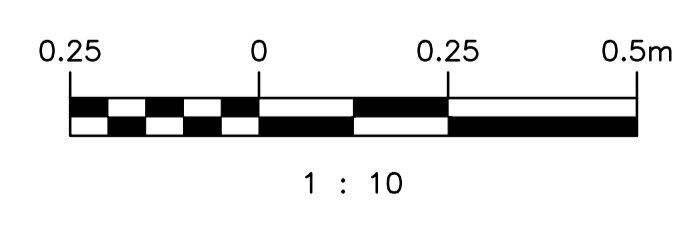
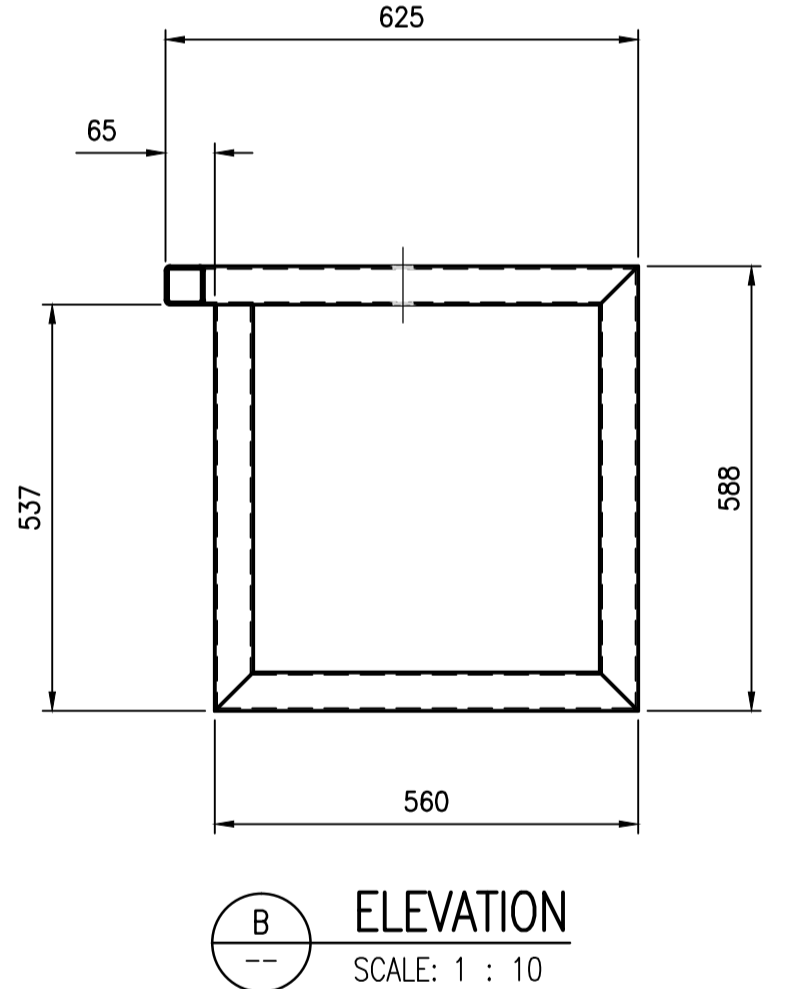
**8a** DETAIL SCALE: 1 : 10  
**8b** DETAIL SCALE: 1 : 10  
**8c** DETAIL SCALE: 1 : 10  
**9a** DETAIL SCALE: 1 : 10  
**9b** DETAIL SCALE: 1 : 10  
**9c** DETAIL SCALE: 1 : 10



**10** DETAIL - UPPER GUARDRAIL  
 SCALE: 1 : 10  
 SOURCE DRAWING 1-0309U-S0001



**11** DETAIL - LOWER GUARDRAIL  
 SCALE: 1 : 10  
 SOURCE DRAWING 1-0309U-S0001



NO.	REVISIONS	DATE	DESIGN	CHECK
00	ISSUED FOR TENDER, BID OPP. 475-2018	2018-05-09	KK	BJC

SNC-Lavalin Inc. 148 Nature Park Way Winnipeg, MB, Canada R3P 0X7 204-786-8080	
DESIGNED BY: K. KOTYK	CHECKED BY: D. SIDHU
DRAWN BY: B. DICKSON	APPROVED BY: B. CLEVEN
SCALE: 1 : 10	ISSUED FOR CONSTRUCTION BY: DATE:
DATE: 2018/03/06	DATE:
CONSULTANT NO.:	

ENGINEER'S SEAL  
**PRELIMINARY**  
 NOT TO BE  
 USED FOR  
 CONSTRUCTION

THE CITY OF WINNIPEG WATER AND WASTE DEPARTMENT	
METRO ROUTE 20 UNDERPASS PUMPING STATION 2018 UPGRADES PLAN, ELEVATIONS AND DETAILS GUARDRAIL DETAILS	
CITY DRAWING NUMBER 1-0309U-S0005	SHEET REV. SIZE 001 00 A1

DRAWING NUMBER	REFERENCE DRAWINGS
785-G220	RELOCATION OF ROUTE 20 - PUMPING STATION MECHANICAL LAYOUT
785-G218	RELOCATION OF ROUTE 20 - WET WELL LAYOUT - REINFORCED CONCRETE
785-G217	RELOCATION OF ROUTE 20 - CONTROL ROOM LAYOUT P-957