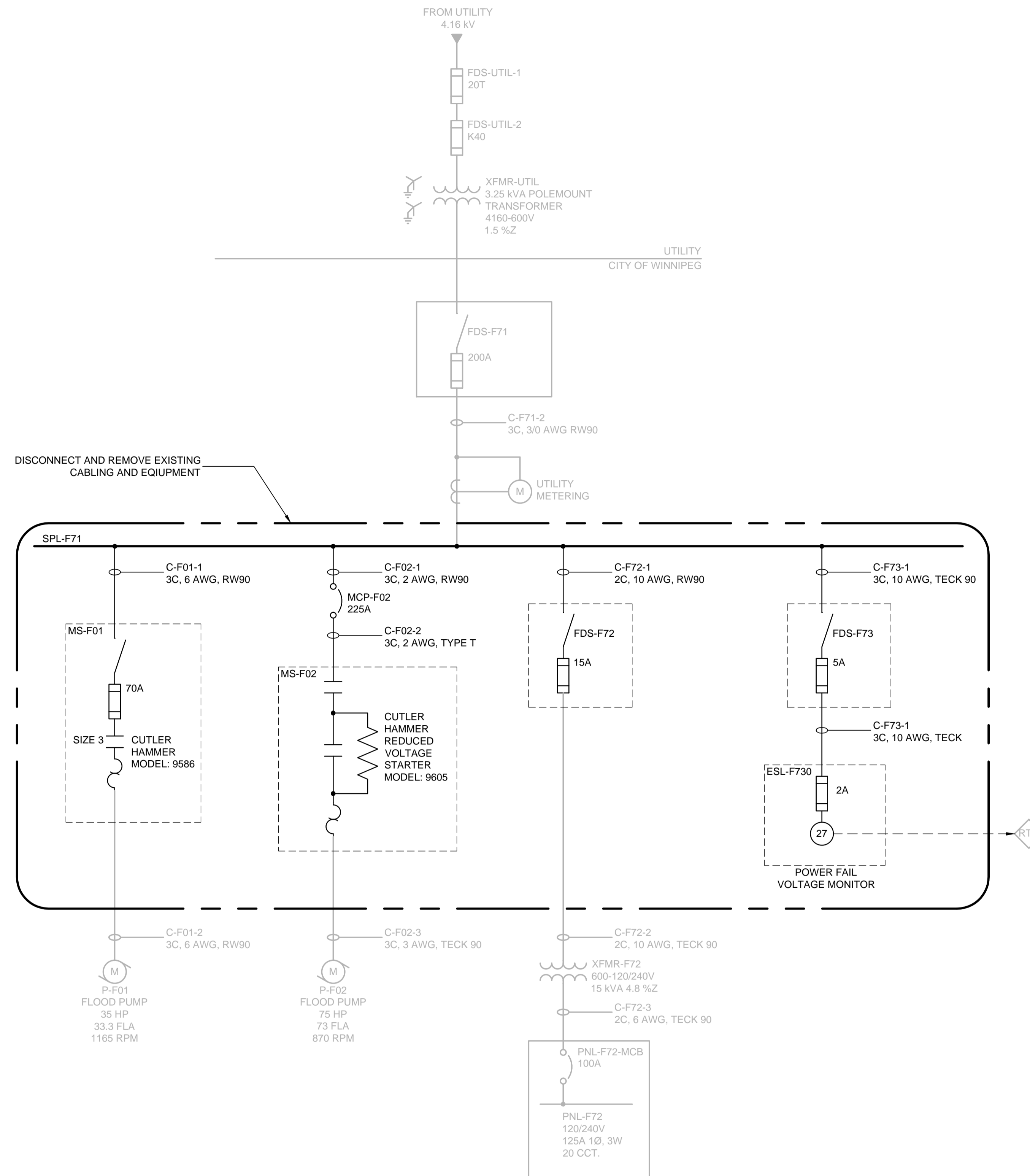


PLAN AT MOTOR FLOOR  
1:25

**DEMOLITION NOTES**

- EXISTING EQUIPMENT TO BE REMOVED:
  - SPL-F71
  - MS-F01
  - MS-F02
  - MCP-F02
  - FDS-F72
  - FDS-F73
  - ESL-F730
- EXISTING EQUIPMENT TO REMAIN:
  - FDS-F71
  - XFMR-F72
  - PNL-F72
  - RTU PANEL
  - CONTROL PANEL
  - BUBBLER
  - SERVICE EQUIPMENT
- EXISTING EQUIPMENT TO REMAIN SHALL BE DISCONNECTED AND REMOVED FROM THE WALLS FOR THE DURATION OF THE ARCHITECTURAL WORK, THEN RE-MOUNTED AND RECONNECTED.



EXISTING SINGLE LINE DIAGRAM  
N.T.S.

METRIC

WHOLE NUMBERS INDICATE MILLIMETRES  
DECIMALIZED NUMBERS INDICATE METRES

B.M. ELEV.		DESIGNED BY	BKB		ENGINEER'S SEAL		<b>THE CITY OF WINNIPEG</b> WATER AND WASTE DEPARTMENT					
		DRAWN BY	SCK		RELEASED FOR CONSTRUCTION NOT FOR CONSTRUCTION		CONSULTANT PROJECT NUMBER <b>18-6872</b>	SYNDICATE FLOOD PUMPING STATION UPGRADES		CITY DRAWING NUMBER 1-0189F-E0003-001		
		CHECKED BY	BLM					SHEET <b>6</b> OF <b>7</b>		ELECTRICIAL DEMOLITION		CONSULTANT DRAWING NUMBER E-1
		APPROVED BY	MH					HOR. SCALE AS SHOWN VERTICAL -				
1	ISSUED FOR TENDER	15/06/18	BLM	DATE	JUNE 2018							
NO.	REVISIONS	DATE	BY	DATE	JUNE 2018							