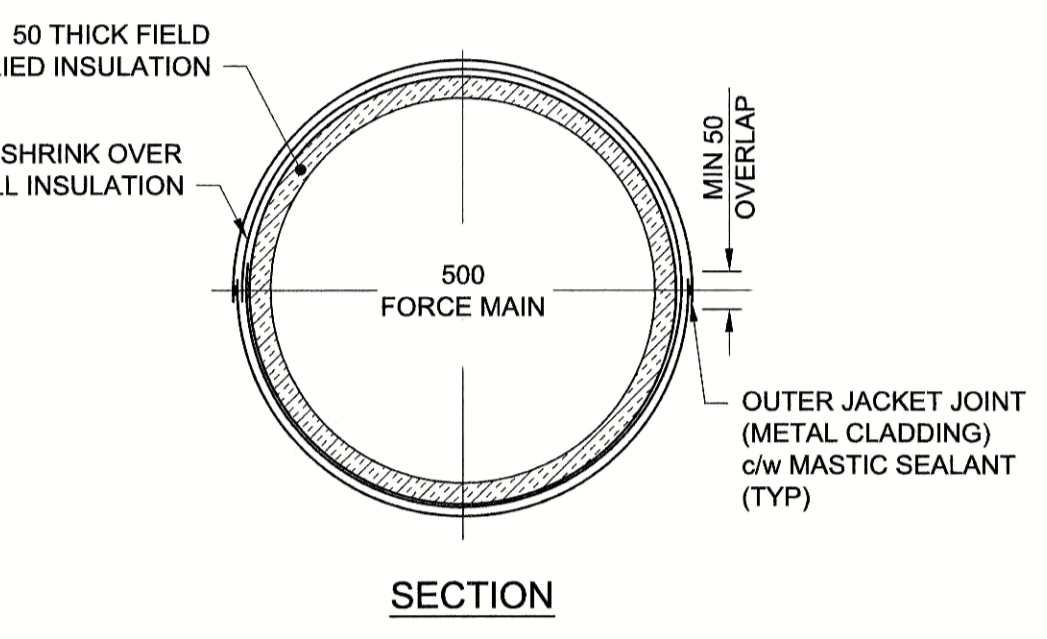
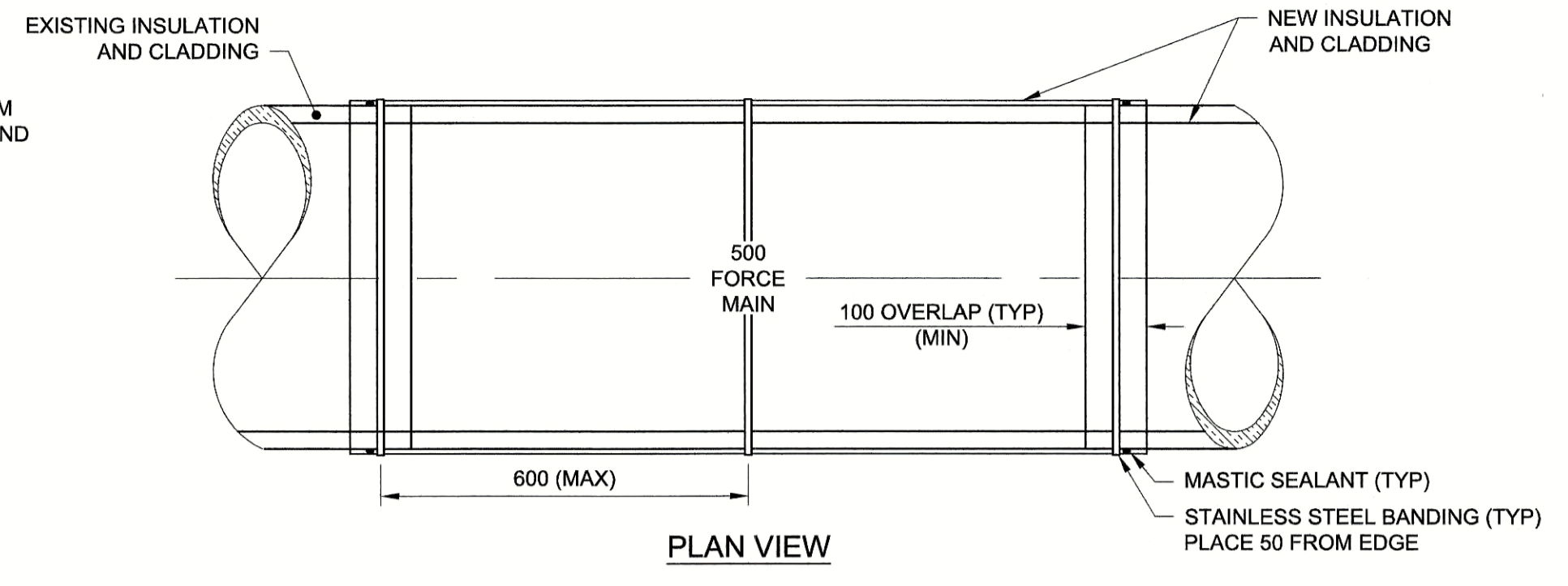


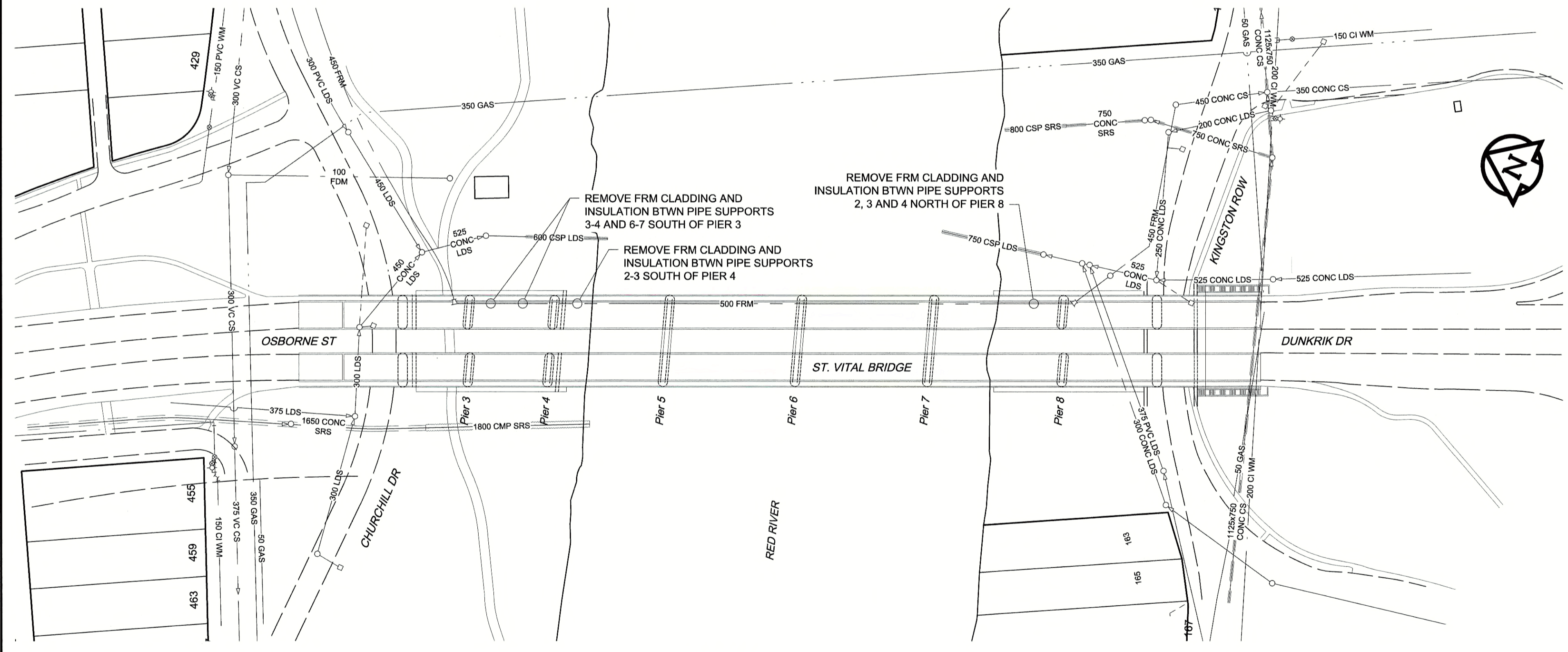
TYPICAL CLADDING REMOVAL DETAIL
Scale 1:20



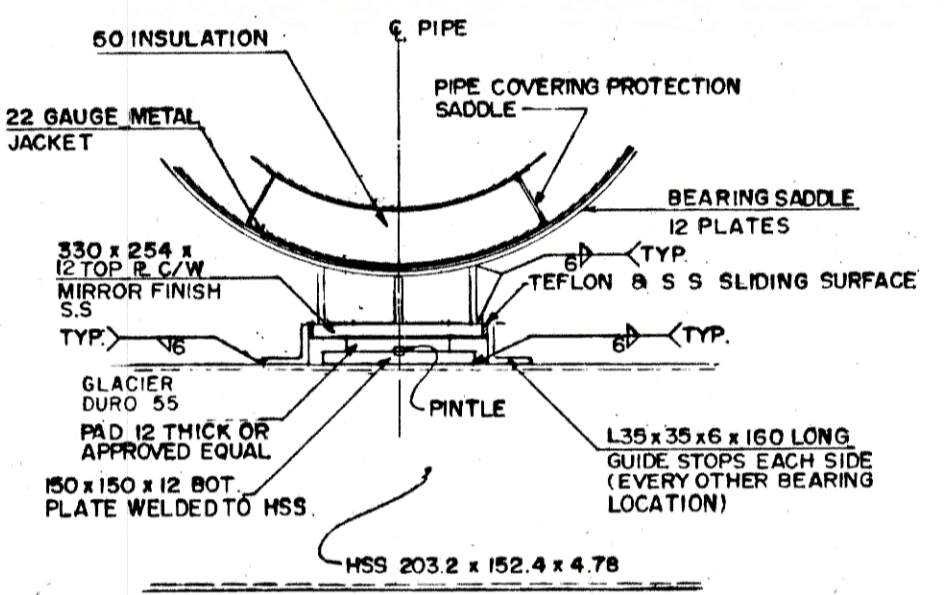
FIELD INSULATION DETAIL
Scale 1:10



SITE PLAN
Scale 1:1750
0 43.75 87.50 m

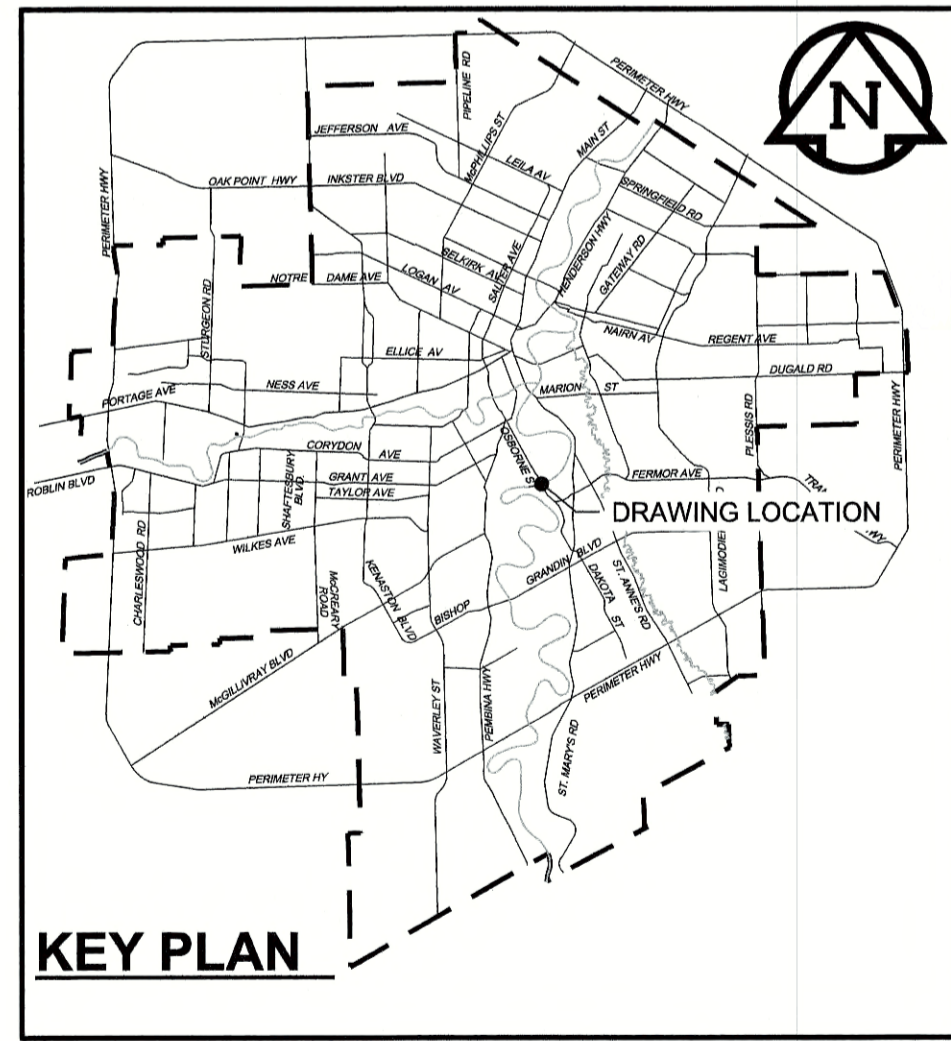


PLAN
Scale 1:1000
0 25 50 m



EXISTING PIPE X-SECTION
Scale N.T.S.

- NOTES:**
- SEQUENCE OF WORK:**
1. DEVELOP SITE ACCESS AND WORK AREAS FOR SCAFFOLDING ERECTION.
 2. ERECT SCAFFOLDING TO GAIN ACCESS TO FORCE MAIN PIPE AT THE LOCATIONS INDICATED.
 3. UTILIZE UNDER-BRIDGE CRANE (UBC) TRUCK TO COMPLETE WORK WHERE SCAFFOLDING ERECTION IS NOT FEASIBLE. (BY CITY)
 4. REMOVE EXISTING CLADDING AND INSULATION AT THE LOCATIONS INDICATED.
 5. REPORT ANY DAMAGE OR APPARENT DETERIORATION OF THE PIPELINE TO THE CONTRACT ADMINISTRATOR IMMEDIATELY.
 6. MECHANICALLY CLEAN EXPOSED PIPE SECTIONS TO BARE STEEL.
 7. FACILITATE EXTERIOR ELECTROMAGNETIC INSPECTION OF THE PIPELINE AT THE STRIPPED LOCATIONS. (INSPECTION BY OTHERS)
 8. COAT ALL EXPOSED STEEL PIPE.
 9. INSTALL NEW INSULATION AND CLADDING.
 10. RESTORE SITE.
- CONSTRUCTION NOTES:**
1. PIPELINE TO REMAIN IN SERVICE THROUGHOUT THE WORK.
 2. RESTORE BOULEVARDS, SIDEWALKS AND ROADWAYS DAMAGED DURING CONSTRUCTION.
 3. MUST MAINTAIN ONE LANE OF NORTHBOUND TRAFFIC ON OSBORNE STREET AT ALL TIMES.
 4. NORTHBOUND LANE CLOSURES MAY BE RESTRICTED DURING AM WEEKDAY PEAK PERIODS.



KEY PLAN

APECM
Certificate of Authorization
AECOM Canada Ltd.
No. 4671 Date: June 4/18

BID OPPORTUNITY NO. 492-2018

150 WM	WATERMAIN	150 WM	○	CURB STOP	○	150 WM	WATERMAIN	150 WM	+	LOCATION APPROVED
○	HYDRANT	+	○	REDUCER	○	+	HYDRANT	+	+	UNDERGROUND STRUCTURES
○	VALVE	+	○	COUPLING	○	+	VALVE	+	+	
300 LDS	LAND DRAINAGE SEWER	300 LDS	○	ANODE	○	300 LDS	LAND DRAINAGE SEWER	300 LDS	+	SUPR. U/G STRUCTURES DATE
250 WWS	WASTE WATER SEWER	250 WWS	○	HYDRO	○	250 WWS	WASTE WATER SEWER	250 WWS	+	COMMITTEE
○	MANHOLE	○	○	MTS	○	○	PAVEMENT CROWN	○	○	NOTE:
○	CATCH BASIN	○	○	GAS	○	○	N/W PROPERTY LINE	○	○	LOCATION OF UNDERGROUND STRUCTURES
○	CURB INLET	○	○	TESTHOLE	○	○	S/E PROPERTY LINE	○	○	AS SHOWN ARE BASED ON THE BEST
○	CULVERT	○	○	LAMP STANDARD	○	○	N/W GUTTER	○	○	INFORMATION AVAILABLE. BUT NO
○	PIPE ABANDONMENTS	○	○	TREE	○	○	S/E GUTTER	○	○	GUARANTEE IS GIVEN THAT ALL EXISTING
○	SURVEY BAR	○	○		○	○		○	○	UTILITIES ARE SHOWN OR THAT THE GIVEN
○	EXISTING	○	○		○	○		○	○	LOCATIONS ARE EXACT. CONFIRMATION OF
○	LEGEND - PLAN	○	○		○	○		○	○	EXISTENCE AND EXACT LOCATION OF ALL
○	NEW	○	○		○	○		○	○	SERVICES MUST BE OBTAINED FROM THE
○	EXISTING	○	○		○	○		○	○	INDIVIDUAL UTILITIES BEFORE PROCEEDING
○	LEGEND - PROFILE	○	○		○	○		○	○	WITH CONSTRUCTION.

0	ISSUED FOR CONSTRUCTION	18/06/01	KLC
NO.	REVISIONS	YYMMDD	BY

DESIGNED BY	NJK	CHECKED BY	[Signature]
DRAWN BY	KLC	APPROVED BY	[Signature]
HOR. SCALE	AS NOTED	RELEASED FOR CONSTRUCTION	[Signature]
VERT. SCALE	N/A	DATE	June 4, 2018

AECOM

PROFESSIONAL'S SEAL
PROVINCE OF MANITOBA
A.D.
BRAUN
Member
24453
REGISTERED PROFESSIONAL ENGINEER

THE CITY OF WINNIPEG
WATER AND WASTE DEPARTMENT

PROVISION OF PIPELINE ACCESS MODIFICATIONS, CLEANING AND SUPPORT SERVICES FOR RIVER CROSSING INSPECTIONS - PHASE TWO

SITE 3
ST. VITAL BRIDGE
FORCE MAIN

SHEET 4 OF 7
CITY DRAWING NUMBER
11820
REV 0