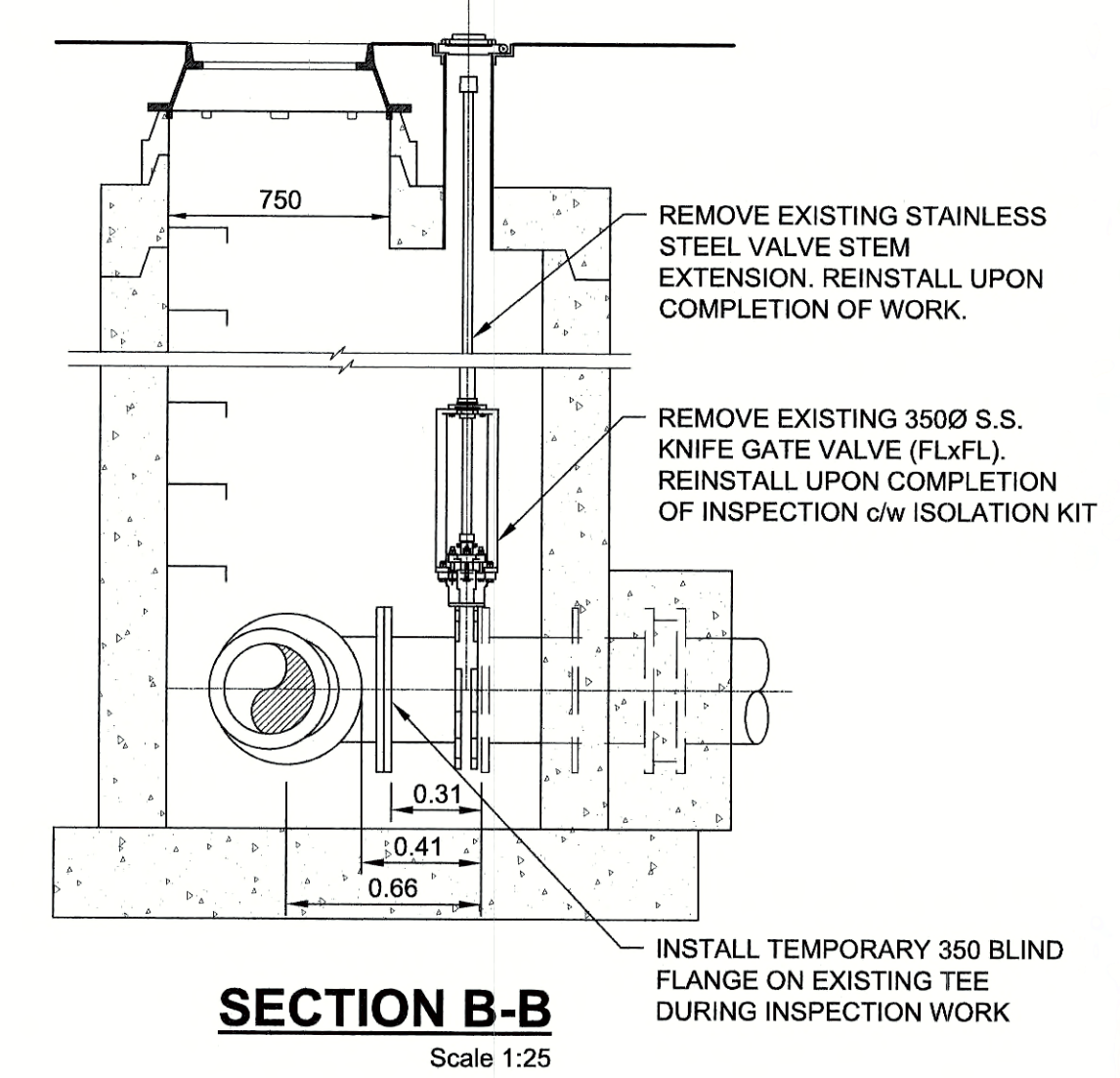


**CHAMBER MODIFICATIONS**  
AS REQUIRED AND REPLACE UPON COMPLETION OF WORK  
Scale 1:25

- TEMPORARY WORKS:**
1. REMOVE EXISTING SPOOL PIECE AND VALVE TO FACILITATE CLEANING AND INSPECTION WORK
  2. INSTALL 350 BLIND FLANGE ON EXISTING TEE
  3. REMOVE BLIND FLANGE AND REINSTALL EXISTING TEE, SPOOL AND VALVE UPON COMPLETION OF WORK



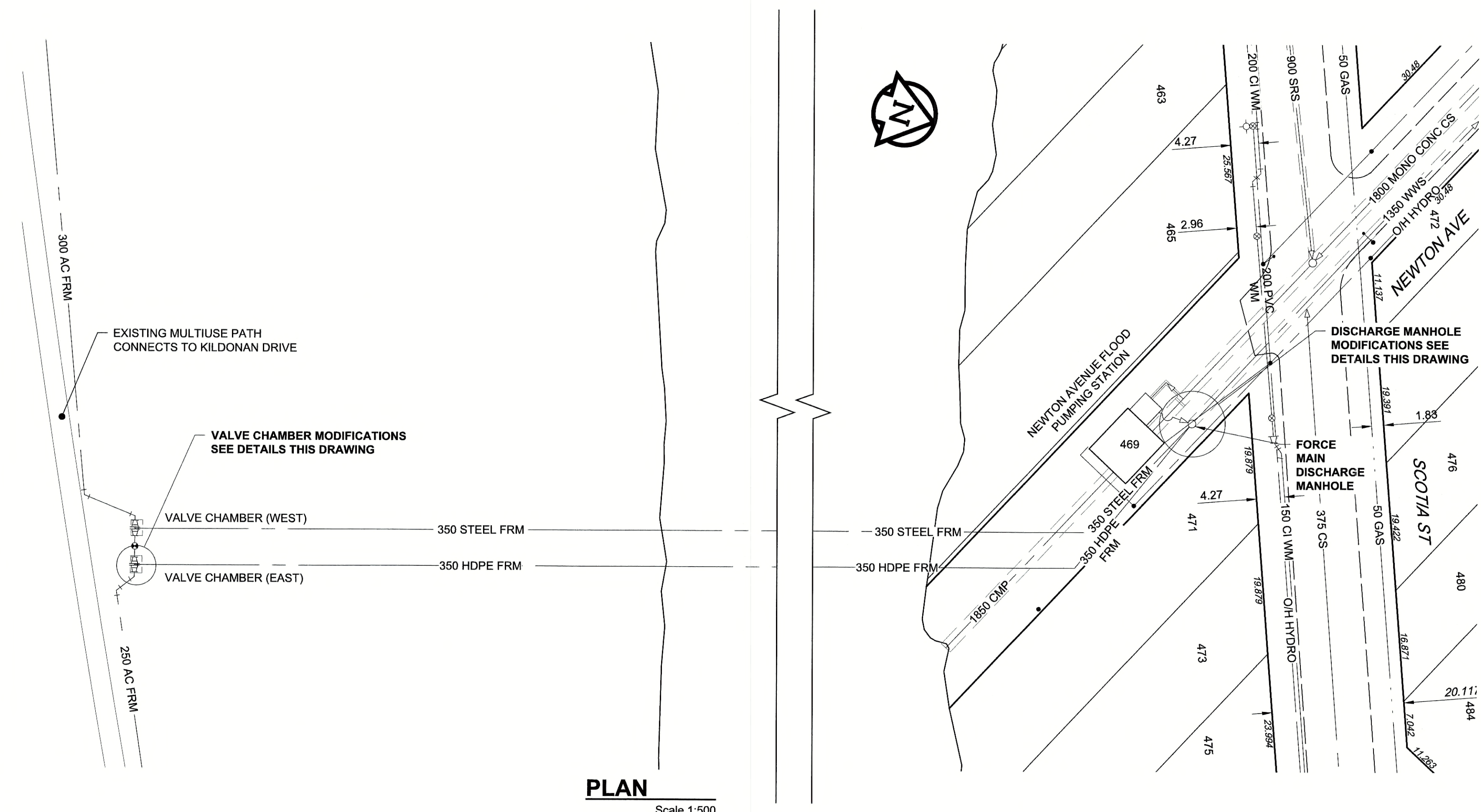
**SECTION B-B**  
Scale 1:25



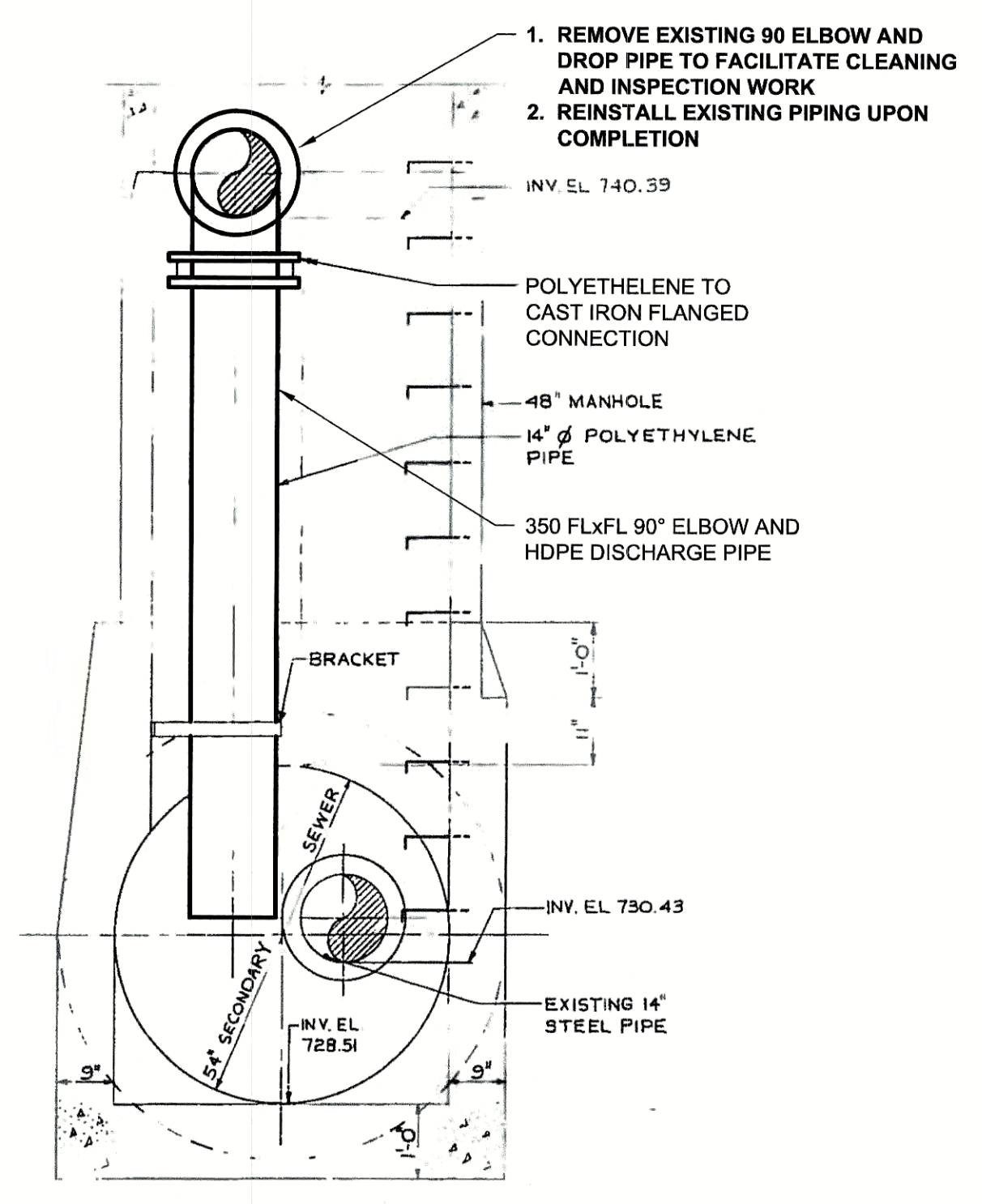
**SITE PLAN**  
Scale 1:2000

- NOTES:**
- SEQUENCE OF WORK:**
1. ALL PIPING TO BE MEASURED, PRE-ASSEMBLED (WHERE POSSIBLE), AND ALL POSSIBLE PREP WORK COMPLETED PRIOR TO LIFT STATION SHUTDOWNS AND PIPING DISASSEMBLY
  2. ISOLATE LIFT STATION (BY CITY)
  3. REMOVE KNIFE GATE VALVE AND SPOOL PIECE TO FACILITATE CLEANING AND INSPECTION WORK
  4. INSTALL TEMPORARY BLIND FLANGE ON 350 TEE
  5. OPEN 300 GATE VALVE TO ALLOW FLOW-THROUGH TO WEST VALVE CHAMBER (BY CITY)
  6. REINSTATE LIFT STATION OPERATION (BY CITY)
  7. REMOVE ELBOW AND DROP PIPE IN DOWNSTREAM MANHOLE
  8. COMPLETE CLEANING OF HDPE FORCE MAIN
  9. COMPLETE INSPECTION OF HDPE FORCE MAIN (BY OTHERS)
  10. REINSTATE DROP PIPE IN DOWNSTREAM MANHOLE
  11. ISOLATE LIFT STATION AND CLOSE 300 GATE VALVE (BY CITY) AND RESTORE VALVE CHAMBER PIPING
  12. REINSTATE LIFT STATION OPERATION (BY CITY)
  13. RESTORE SITE

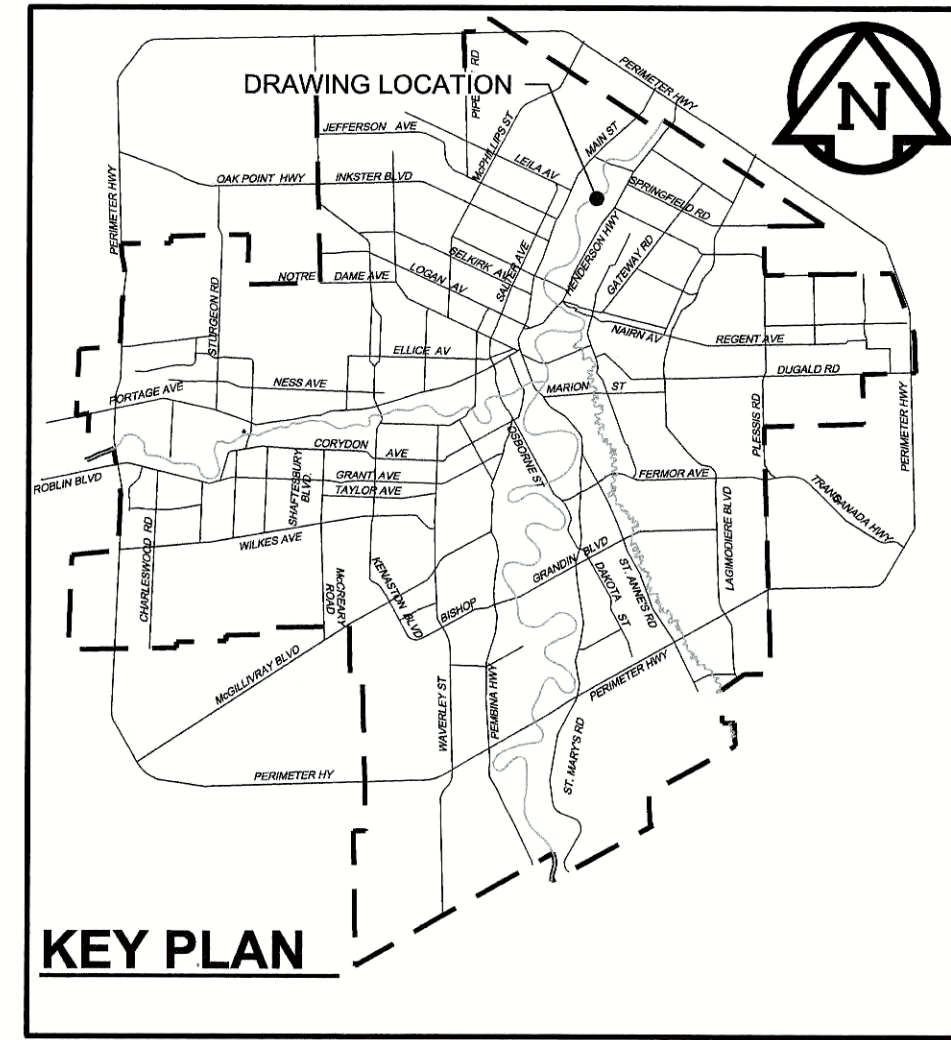
- CONSTRUCTION NOTES:**
1. HAVE NEW GASKETS FOR FLANGED AND VICTAULIC CONNECTIONS ON HAND PRIOR TO DISASSEMBLY OF ANY CHAMBER PIPING
  2. RESTORE BOULEVARDS, SIDEWALKS AND ROADWAYS DAMAGED DURING CONSTRUCTION
  3. ENSURE PIPELINE IS NOT DEWATERED DURING CLEANING AND INSPECTION WORK



**PLAN**  
Scale 1:500



**DISCHARGE MANHOLE MODIFICATIONS**  
Scale 1:25



**KEY PLAN**

**METRIC**  
WHOLE NUMBERS INDICATE MILLIMETRES  
DECIMALIZED NUMBERS INDICATE METRES

EXISTING	LEGEND - PLAN	NEW	EXISTING	LEGEND - PLAN	NEW	EXISTING	LEGEND - PROFILE	NEW
150 WM	WATERMAIN	150 WM	CURB STOP	150 WM	WATERMAIN	150 WM	WATERMAIN	150 WM
300 LDS	LAND DRAINAGE SEWER	300 LDS	REDUCER	300 LDS	LAND DRAINAGE SEWER	300 LDS	HYDRANT	300 LDS
250 WWS	WASTE WATER SEWER	250 WWS	COUPLING	250 WWS	WASTE WATER SEWER	250 WWS	VALVE	250 WWS
MANHOLE		MANHOLE	ANODE	MANHOLE	WASTE WATER SEWER	MANHOLE	HYDRANT	MANHOLE
CATCH BASIN		CATCH BASIN	HYDRO	CATCH BASIN	PAVEMENT CROWN	CATCH BASIN	VALVE	CATCH BASIN
CURB INLET		CURB INLET	MTS	CURB INLET	N/W PROPERTY LINE	CURB INLET	VALVE	CURB INLET
CULVERT		CULVERT	GAS	CULVERT	S/E PROPERTY LINE	CULVERT	VALVE	CULVERT
PIPE ABANDONMENTS		PIPE ABANDONMENTS	TESTHOLE	PIPE ABANDONMENTS	N/W GUTTER	PIPE ABANDONMENTS	VALVE	PIPE ABANDONMENTS
SURVEY BAR		SURVEY BAR	LAMP STANDARD	SURVEY BAR	S/E GUTTER	SURVEY BAR	VALVE	SURVEY BAR
			TREE				VALVE	

**LOCATION APPROVED**  
UNDERGROUND STRUCTURES

DATE: \_\_\_\_\_  
NOTE: LOCATION OF UNDERGROUND STRUCTURES AS SHOWN ARE BASED ON THE BEST INFORMATION AVAILABLE. BUT NO GUARANTEE IS GIVEN THAT ALL EXISTING UTILITIES ARE SHOWN OR THAT THE GIVEN LOCATIONS ARE EXACT. CONFIRMATION OF EXISTENCE AND EXACT LOCATION OF ALL SERVICES MUST BE OBTAINED FROM THE INDIVIDUAL UTILITIES BEFORE PROCEEDING WITH CONSTRUCTION.

NO.	REVISIONS	YY/MM/DD	BY
0	ISSUED FOR CONSTRUCTION	18/06/01	KLC

**AECOM**

DESIGNED BY: NJK  
CHECKED BY: [Signature]  
DRAWN BY: KLC  
APPROVED BY: [Signature]  
HOR. SCALE: AS NOTED  
VERT. SCALE: N/A  
DATE: June 4, 2018

**APEGM**  
Certificate of Authorization  
AECOM Canada Ltd.  
No. 4671 Date: June 4/18

**THE CITY OF WINNIPEG**  
WATER AND WASTE DEPARTMENT

PROVISION OF PIPELINE ACCESS MODIFICATIONS, CLEANING AND SUPPORT SERVICES FOR RIVER CROSSING INSPECTIONS - PHASE TWO

SHEET 5 OF 7  
CITY DRAWING NUMBER 11821  
REV 0

CONSULTANT DRAWING NO. 60549028-SHT-30-0000-C-1004