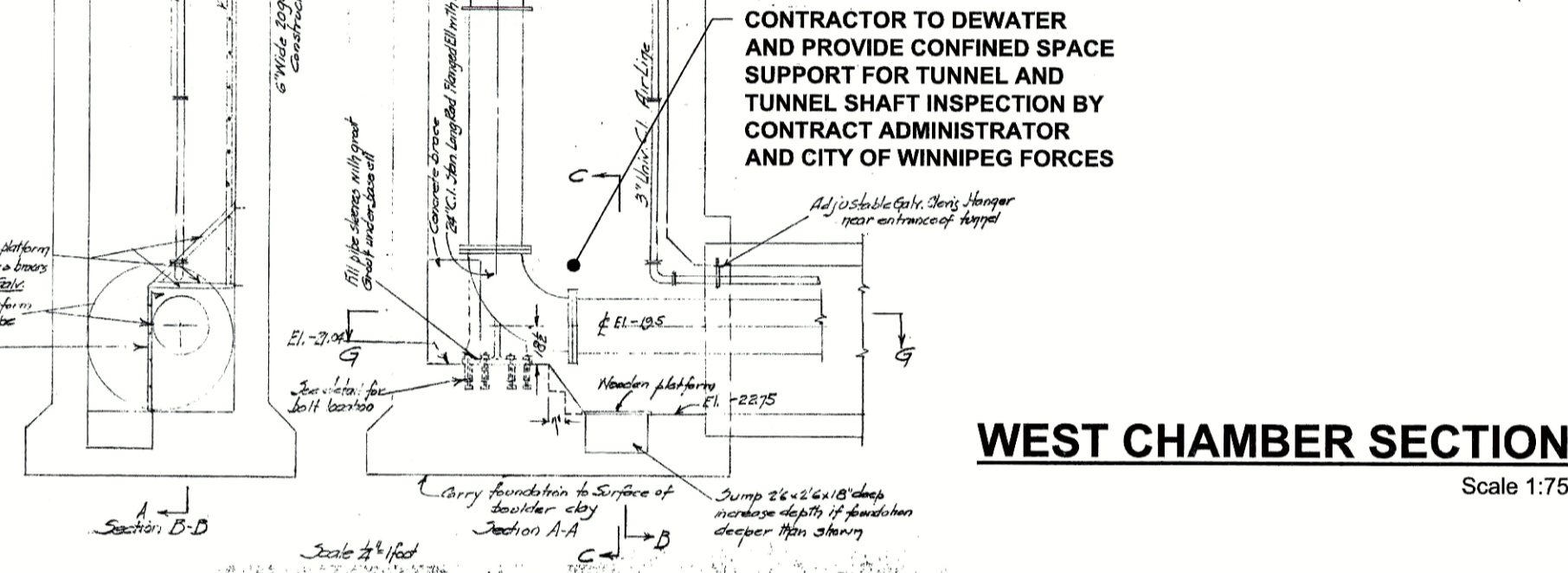


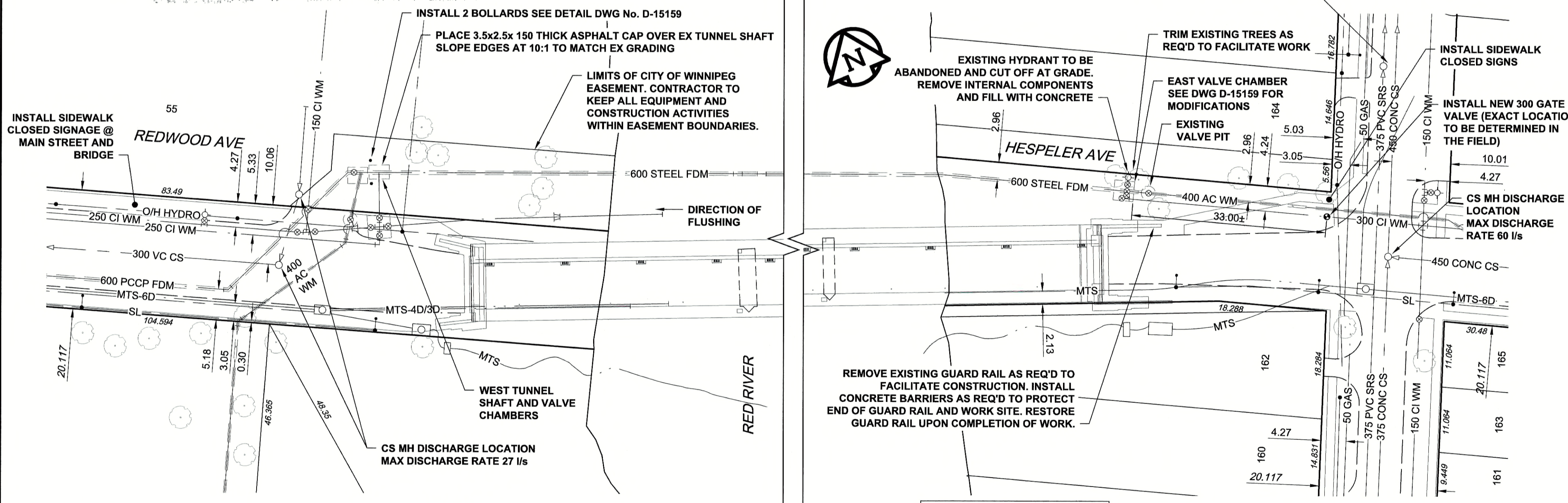
WEST CHAMBER PLAN Scale 1:25



WEST CHAMBER SECTION Scale 1:75

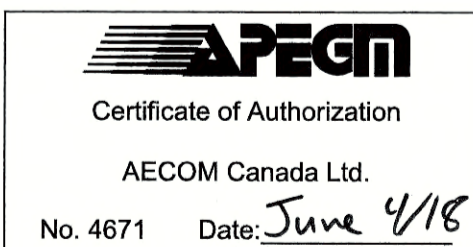


SITE PLAN Scale 1:1500

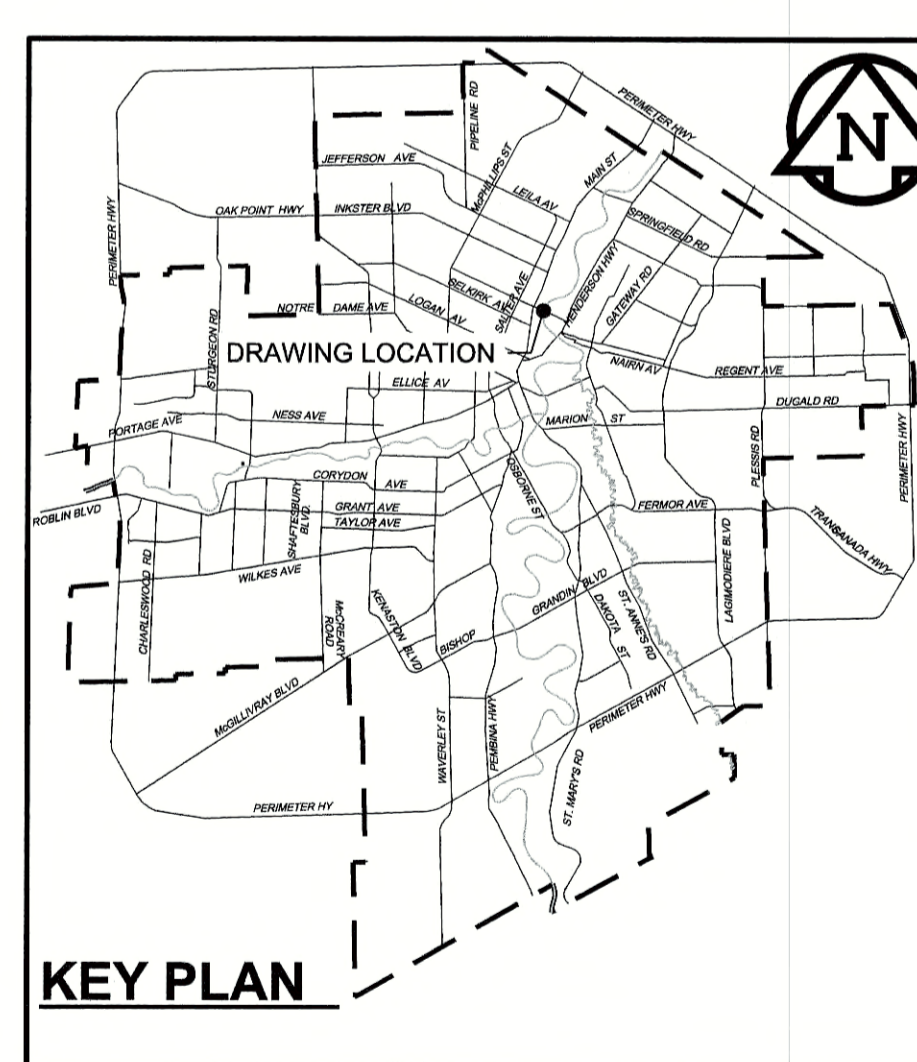
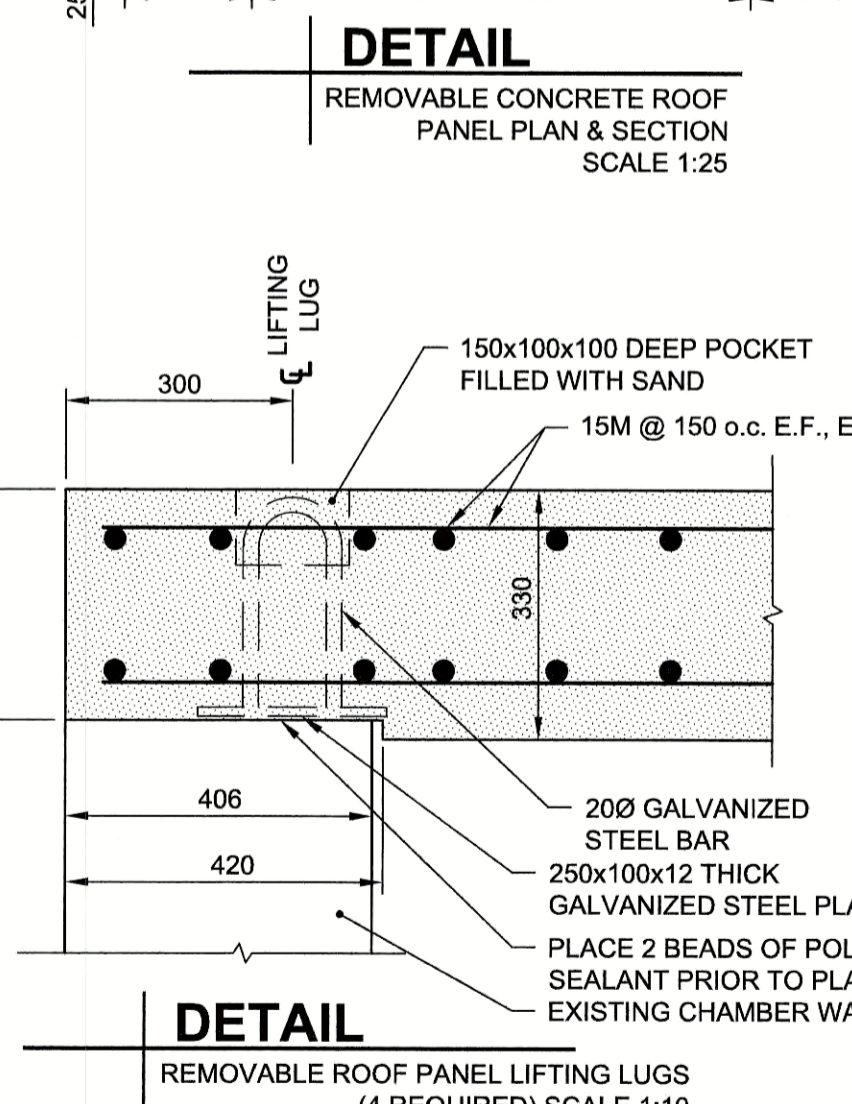
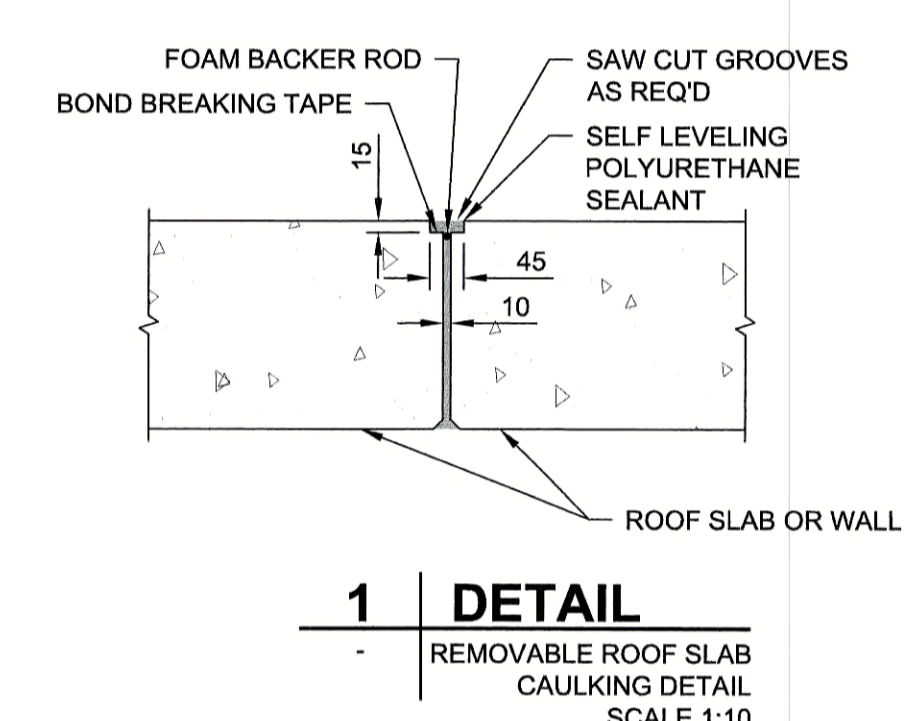
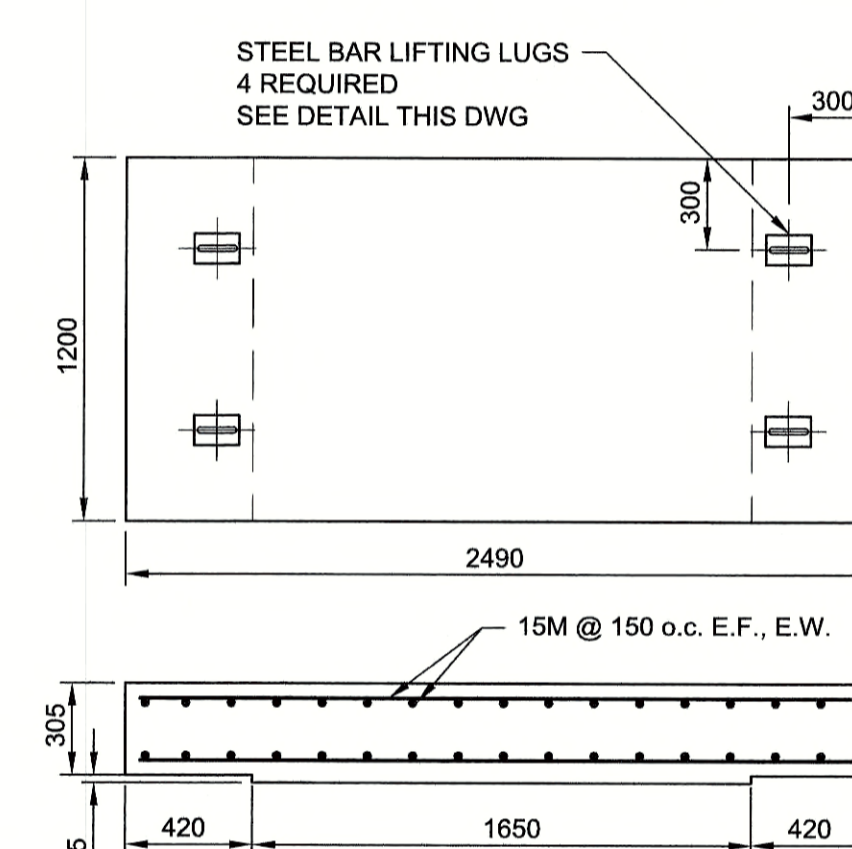


PLAN Scale 1:500

NOTES: SEE NEXT SHEET, DWG D-15159 FOR SEQUENCE OF WORK AND CONSTRUCTION NOTES



METRIC WHOLE NUMBERS INDICATE MILLIMETRES DECIMALIZED NUMBERS INDICATE METRES



150 WM	WATERMAIN	150 WM	○	CURB STOP	150 WM	WATERMAIN	150 WM
○	HYDRANT	+	+	REDUCER	+	HYDRANT	+
○	VALVE	+	+	COUPLING	+	VALVE	+
300 LDS	LAND DRAINAGE SEWER	300 LDS	+	ANODE	+	LAND DRAINAGE SEWER	300 LDS
250 WWS	WASTE WATER SEWER	250 WWS	+	HYDRO	+	WASTE WATER SEWER	250 WWS
○	MANHOLE	○	○	MTS	○	PAVEMENT CROWN	○
□	CATCH BASIN	□	○	GAS	○	N/W PROPERTY LINE	○
△	CURB INLET	△	○	TESTHOLE	○	S/E PROPERTY LINE	○
▭	CULVERT	▭	○	LAMP STANDARD	○	N/W GUTTER	○
+	PIPE ABANDONMENTS	+	○	TREE	○	S/E GUTTER	○
+	SURVEY BAR	+	○				
EXISTING	LEGEND - PLAN	NEW	EXISTING	LEGEND - PLAN	NEW	EXISTING	LEGEND - PROFILE

LOCATION APPROVED UNDERGROUND STRUCTURES

SUPR. LUG STRUCTURES DATE COMMITTEE

NOTE: LOCATION OF UNDERGROUND STRUCTURES AS SHOWN ARE BASED ON THE BEST INFORMATION AVAILABLE. BUT NO GUARANTEE IS GIVEN THAT ALL EXISTING UTILITIES ARE SHOWN OR THAT THE GIVEN LOCATIONS ARE EXACT. CONFIRMATION OF EXISTENCE AND EXACT LOCATION OF ALL SERVICES MUST BE OBTAINED FROM THE INDIVIDUAL UTILITIES BEFORE PROCEEDING WITH CONSTRUCTION.

0	ISSUED FOR CONSTRUCTION	18/06/01	KLC
NO.	REVISIONS	YYMMDD	BY

AECOM

DESIGNED BY: NJK
CHECKED BY: [Signature]
DRAWN BY: KLC
APPROVED BY: [Signature]
HOR. SCALE: AS NOTED
VERT. SCALE: N/A
DATE: June 4, 2018

PROFESSIONAL'S SEAL

BRAUN
Member
24453
REGISTERED PROFESSIONAL ENGINEER

CONSULTANT DRAWING NO. 60549028-SHT-30-0000-C-1001

THE CITY OF WINNIPEG WATER AND WASTE DEPARTMENT

PROVISION OF PIPELINE ACCESS MODIFICATIONS, CLEANING AND SUPPORT SERVICES FOR RIVER CROSSING INSPECTIONS - PHASE TWO

SHEET 1 OF 7
CITY DRAWING NUMBER D-15158
REV 0

SITE 1
KILDONAN - REDWOOD FEEDER MAIN - WEST CHAMBER

BID OPPORTUNITY NO. 492-2018