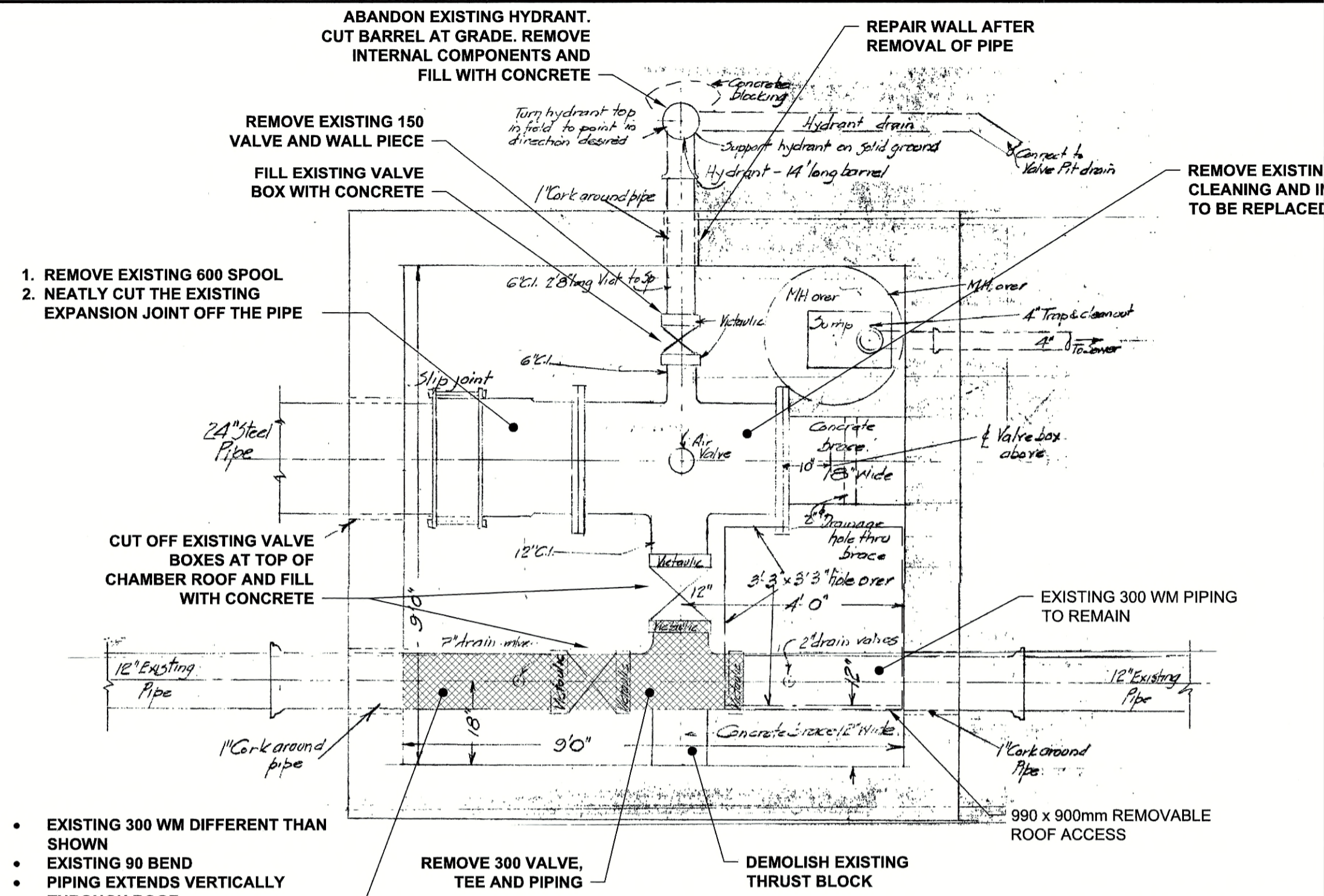


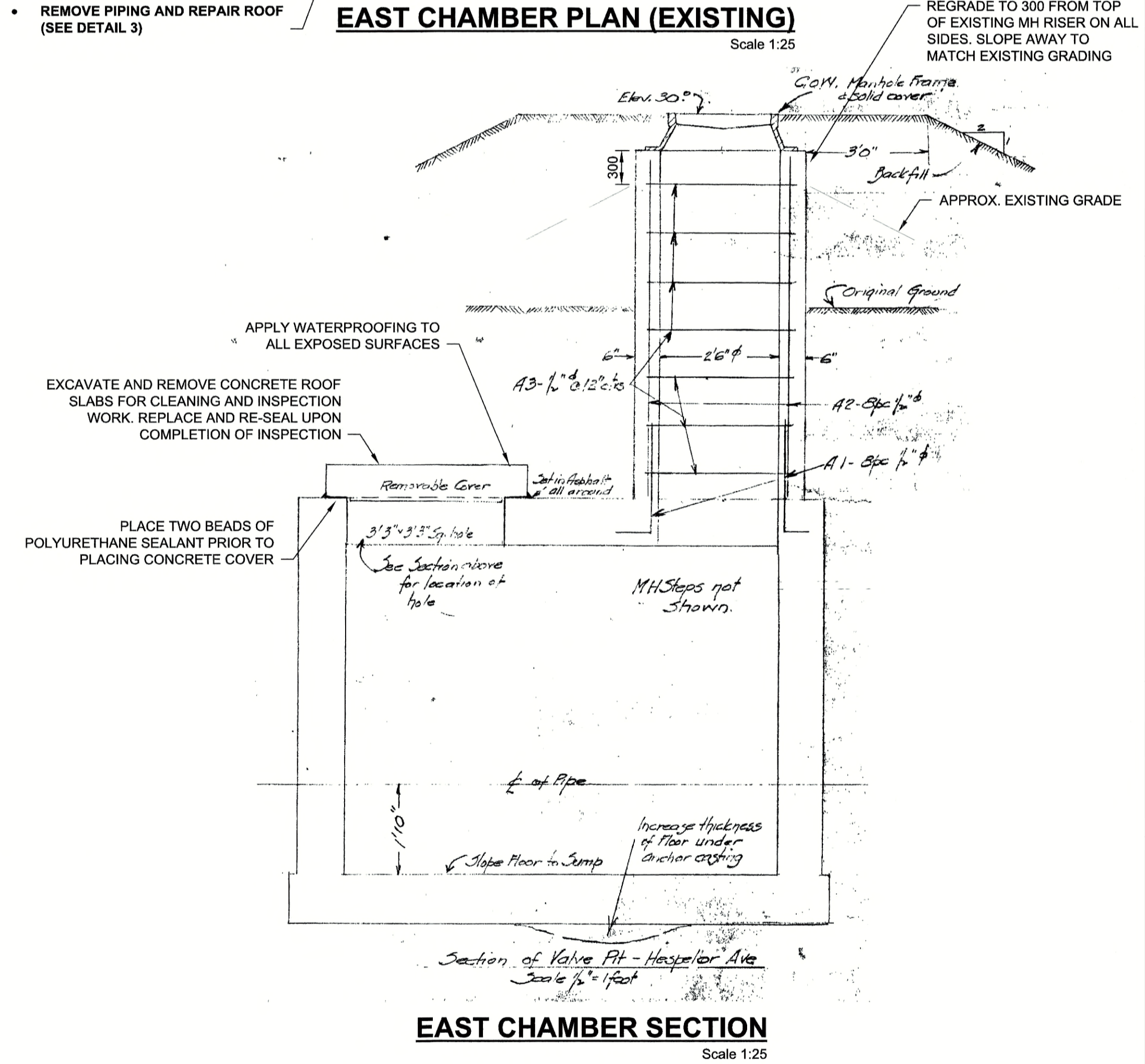
D SIZE 22' x 34' (569mm x 864mm)

PLOT: 6/12/2018 10:51:53 AM

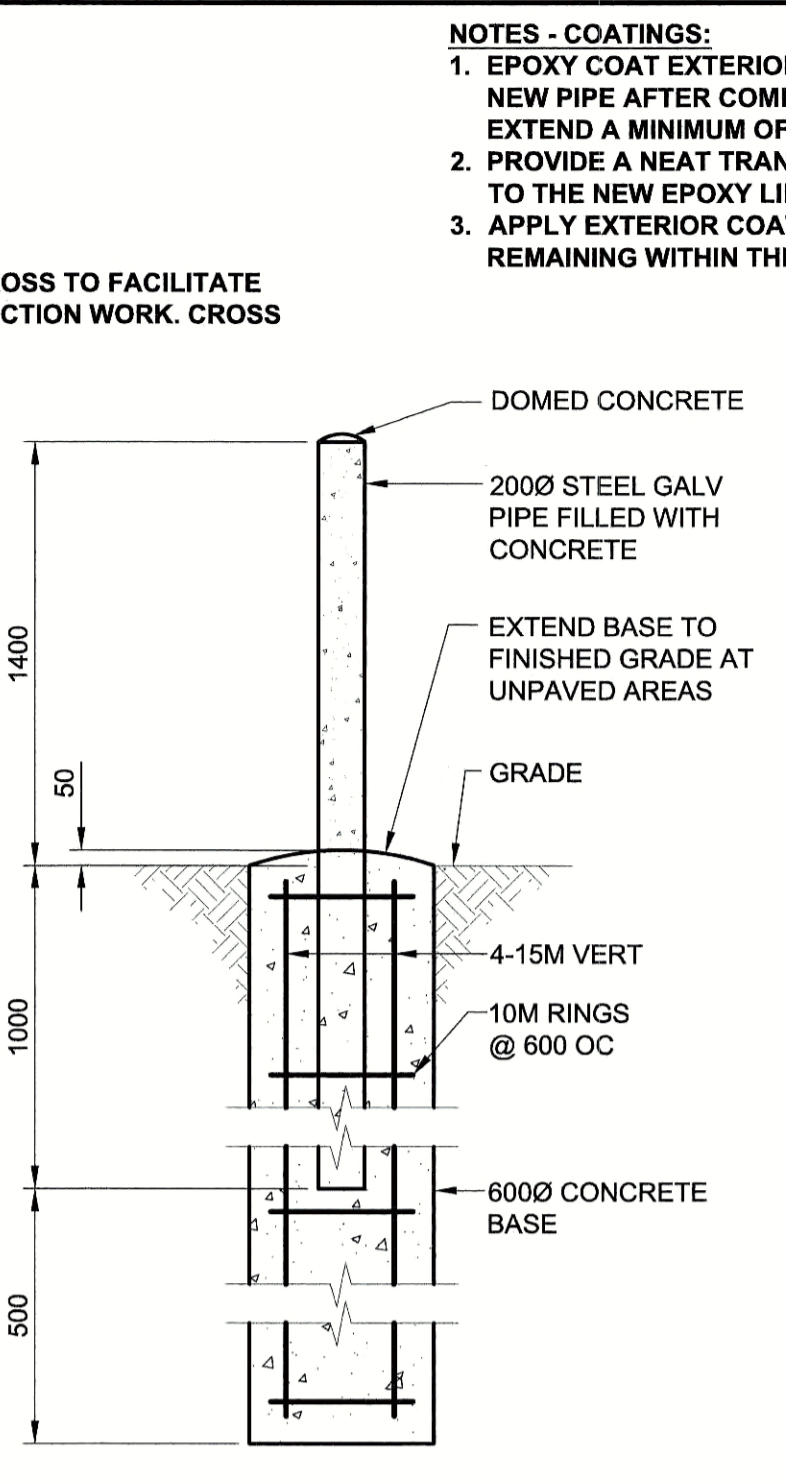
AECOM REVIEW DRAFT CHK
AECOM FILE NAME: 60549028-SHT-30-0000-C-1001.dwg Saved By: cooperk



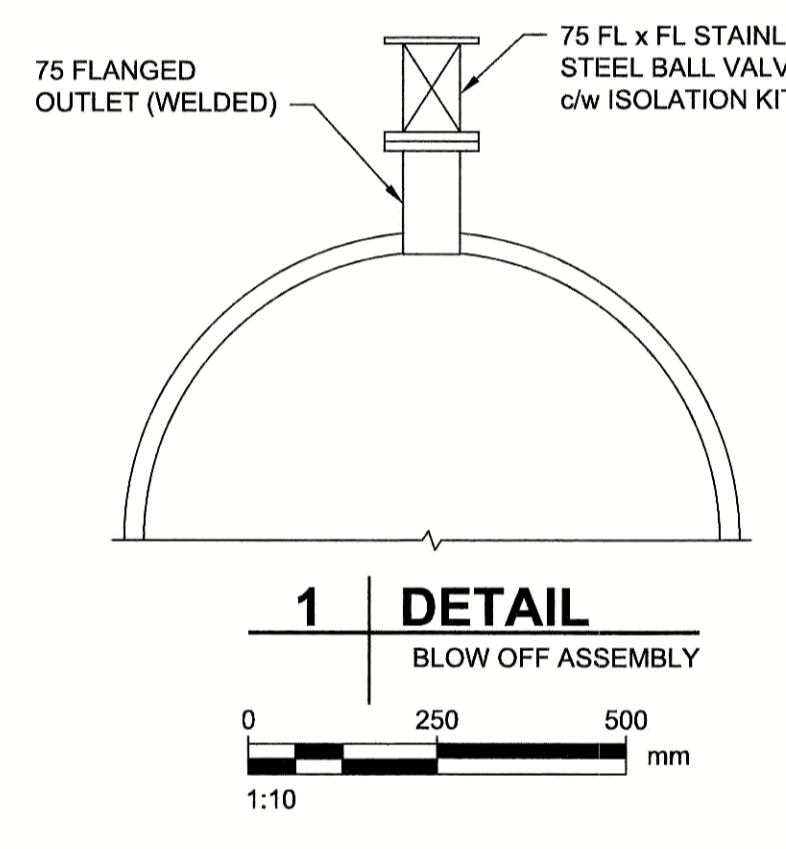
EAST CHAMBER PLAN (EXISTING)
Scale 1:25



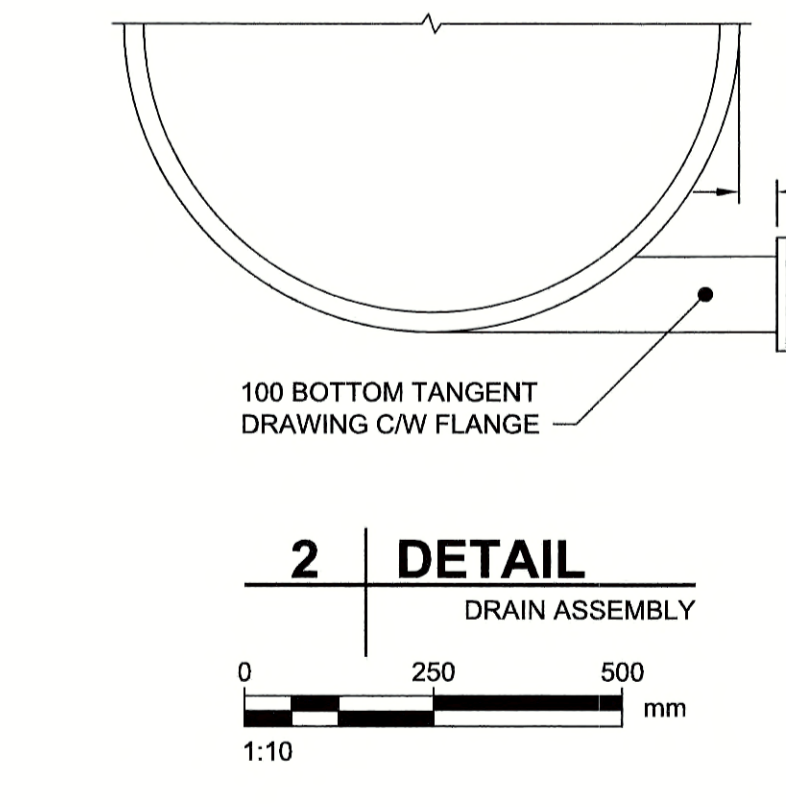
EAST CHAMBER SECTION
Scale 1:25



5 DETAIL
TYPICAL BOLLARD
SCALE 1:25



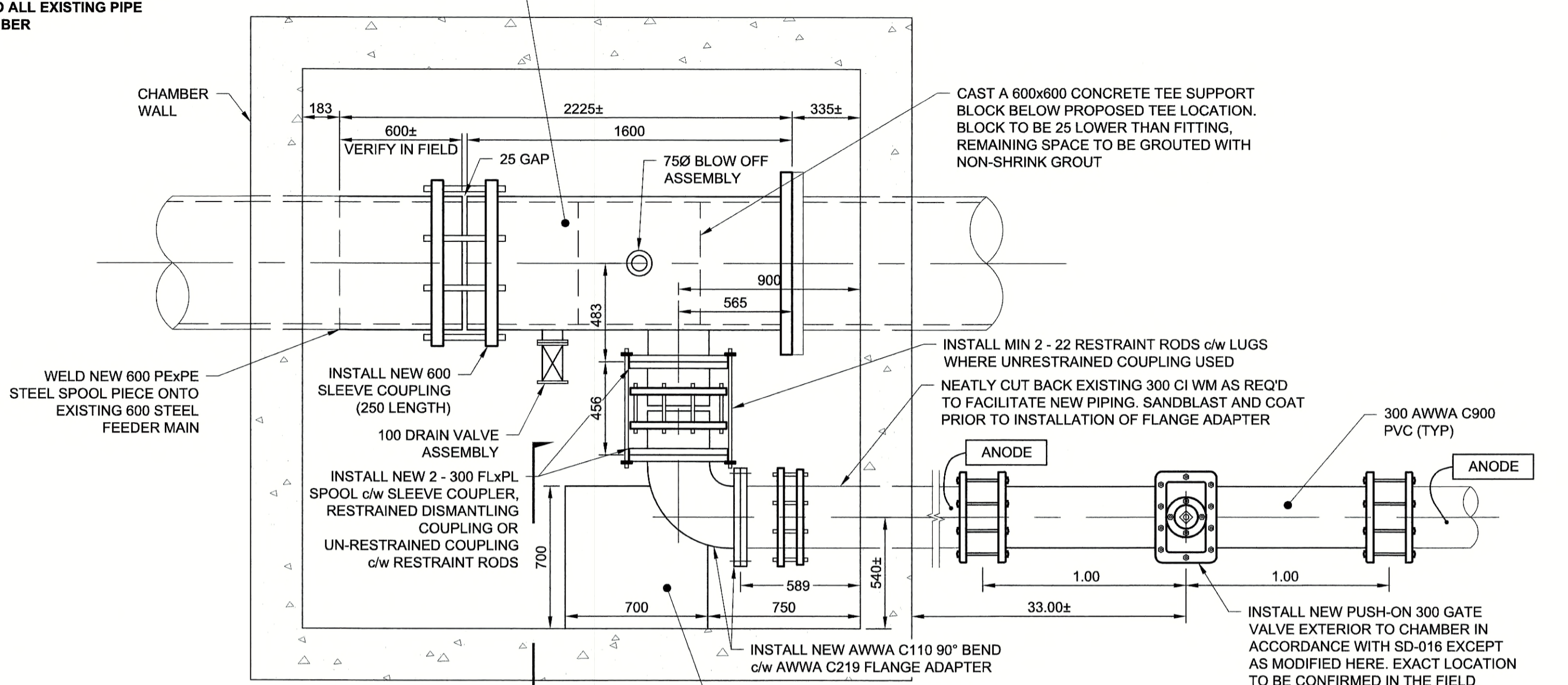
1 DETAIL
BLOW OFF ASSEMBLY
Scale 1:10



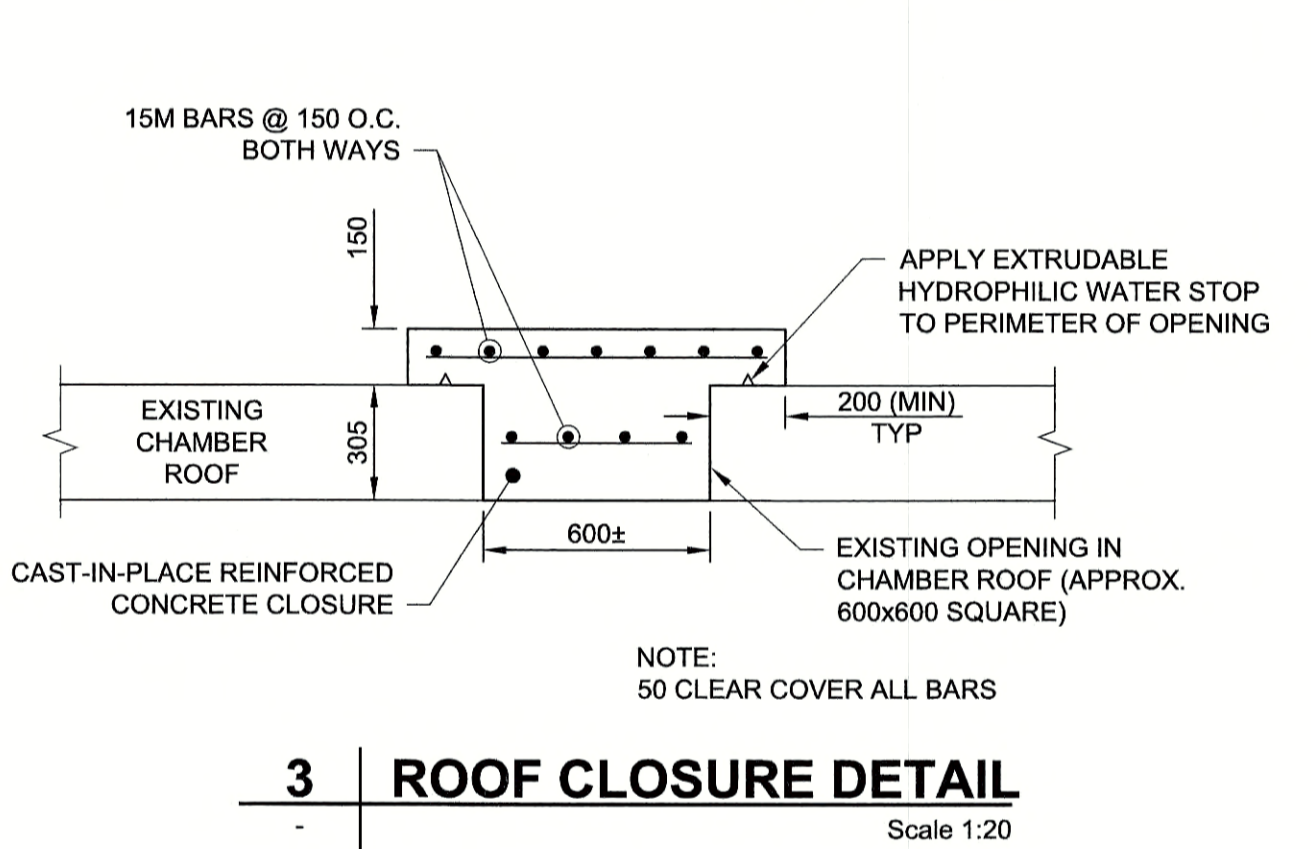
2 DETAIL
DRAIN ASSEMBLY
Scale 1:10

NOTES - COATINGS:
1. EPOXY COAT EXTERIOR AND INTERIOR OF EXISTING & NEW PIPE AFTER COMPLETION OF FIELD WELDING. EXTEND A MINIMUM OF 300 PAST THE WELDED JOINT.
2. PROVIDE A NEAT TRANSITION FROM EXISTING LINING TO THE NEW EPOXY LINING.
3. APPLY EXTERIOR COATING TO ALL EXISTING PIPE REMAINING WITHIN THE CHAMBER.

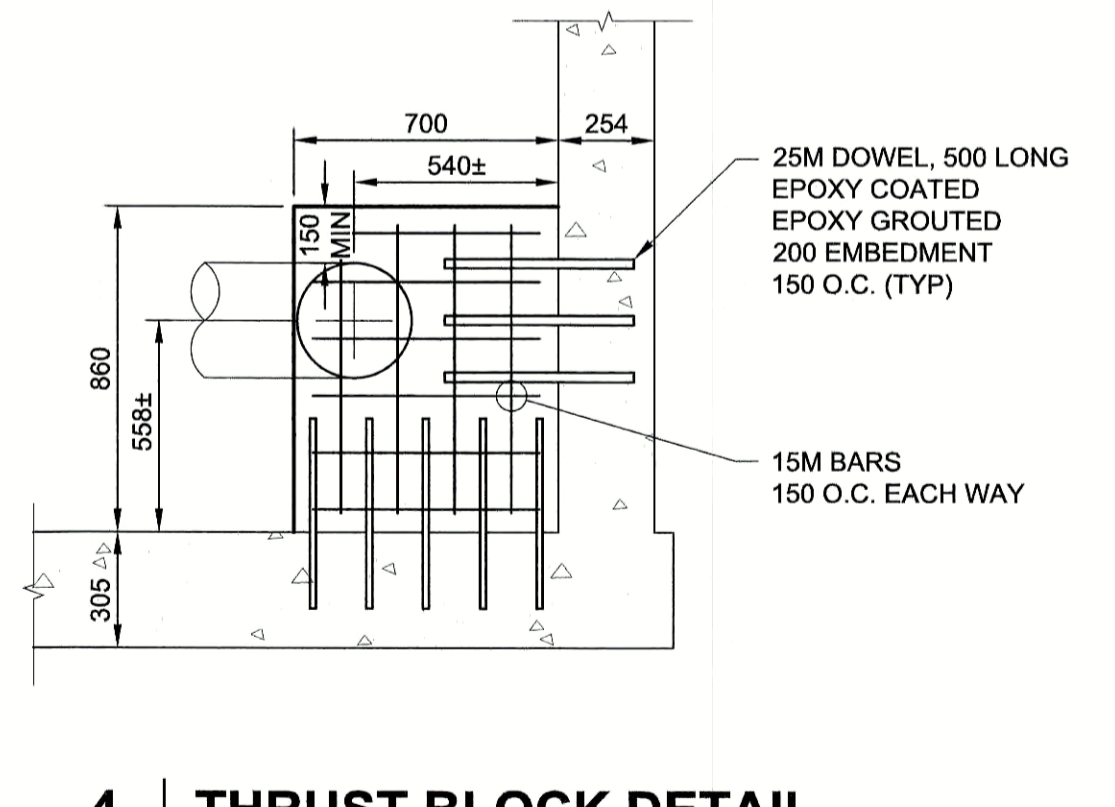
INSTALL NEW 600 FLxP STEEL SPOOL c/w 300 FLANGED OFF-TAKE UPON COMPLETION OF THE CLEANING AND INSPECTION WORK



EAST CHAMBER PLAN (PROPOSED)
Scale 1:20



3 ROOF CLOSURE DETAIL
Scale 1:20



4 THRUST BLOCK DETAIL
SECTION A
SCALE 1:20

NOTES:
SEQUENCE OF WORK:

- EXPOSE CONNECTIONS FOR SIDE OUTLET ELBOW (WEST CHAMBER) AND VERIFY VICTAULIC COUPLING TYPE AND SIZE PRIOR TO PROCUREMENT OF MATERIALS.
- ISOLATE 300 WM PIPE (BY CITY)
- INSTALL NEW PUSH-ON 300 GATE VALVE EXTERIOR TO CHAMBER.
- CLOSE NEW GATE VALVE & RESTORE WM SERVICE (BY CITY).
- EXCAVATE TO TOP OF (EAST) CHAMBER & INSTALL SHORING AS NEEDED.
- REMOVE CONCRETE ROOF PANELS TO GAIN ACCESS TO EACH CHAMBER.
- ISOLATE 600 FM CROSSING PIPE (BY CITY).
- REMOVE SIDE OUTLET ELBOW (WEST CHAMBER) TO PROVIDE ACCESS FOR CLEANING AND INSPECTION.
- DISASSEMBLE DUCTILE IRON CROSS (EAST CHAMBER) AND EXISTING 600mm SPOOL PIECE. REMOVE FROM CHAMBER.
- REMOVE NECESSARY 300 WM PIPING & FITTINGS (EAST CHAMBER).
- REMOVE AND ABANDON FIRE HYDRANT AND RELATED PIPING (EAST CHAMBER).
- NEATLY CUT EXISTING EXPANSION JOINT (EAST CHAMBER) OFF THE PIPE AND VERIFY LENGTH OF NEW SPOOL PIECE, WELD & COAT NEW SPOOL PIECE.
- PERFORM CLEANING AND FACILITATE INSPECTION (BY OTHERS) OF FEEDER MAIN CROSSING.
- INSTALL NEW CHAMBER PIPING (EAST CHAMBER) AS INDICATED ON THE DRAWINGS.
- COMPLETE DISINFECTION OF THE FEEDER MAIN.
- PERFORM LOW PRESSURE LEAKAGE TEST.
- REINSTALL SIDE OUTLET ELBOW (WEST CHAMBER), USING NEW BOLTS, GASKETS, AND VICTAULIC COUPLER.
- REINSTALL CHAMBER ROOF PANELS AND RE-SEAL ALL JOINTS.
- BACKFILL AND RESTORE SITES.

CONSTRUCTION NOTES:

- HAVE NEW GASKETS FOR ALL FLANGED AND VICTAULIC CONNECTIONS ON HAND PRIOR TO DISASSEMBLY OF ANY CHAMBER PIPING.
- ALL PIPING SHALL BE MEASURED, PRE-ASSEMBLED (WHERE POSSIBLE), AND ALL POSSIBLE PREP WORK COMPLETED PRIOR TO DISASSEMBLY OF CHAMBER PIPING.
- INSTALL NEW GASKETS, FLANGE BOLTS AND VICTAULIC COUPLINGS DURING RE-ASSEMBLY OF CHAMBER PIPING.
- ENSURE PIPELINE IS NOT DEWATERED DURING CLEANING AND INSPECTION WORK.
- NO DRAIN VALVE PRESENT ON EXISTING CROSSING. CONTRACTOR TO DRAIN PIPE VIA EXISTING BLOW OFF VALVES AND DISASSEMBLY OF FITTINGS WITHIN THE EAST CHAMBER
- RESTORE BOULEVARDS, SIDEWALKS & ROADWAYS DAMAGED DURING CONSTRUCTION.



BID OPPORTUNITY NO. 492-2018

150 WM	WATERMAIN	150 WM	150 WM	CURB STOP	150 WM	WATERMAIN	150 WM
○	HYDRANT	●	○	REDUCER	+	HYDRANT	+
○	VALVE	○	○	COUPLING	×	VALVE	×
○	300 LDS	○	○	ANODE	▷	LAND DRAINAGE SEWER	○
○	250 WWS	○	○	HYDRO	▷	WASTE WATER SEWER	○
○	MANHOLE	●	○	MTS	○	PAVEMENT CROWN	○
○	CATCH BASIN	●	○	GAS	○	N/W PROPERTY LINE	○
○	CURB INLET	▲	○	TESTHOLE	○	S/E PROPERTY LINE	○
○	CULVERT	▬	○	LAMP STANDARD	○	N/W GUTTER	○
○	PIPE ABANDONMENTS	▬	○	TREE	○	S/E GUTTER	○
○	SURVEY BAR	▬	○				
○	EXISTING	○	○	LEGEND - PLAN	○	LEGEND - PROFILE	○
○	NEW	○	○	LEGEND - PLAN	○	LEGEND - PROFILE	○

LOCATION APPROVED
UNDERGROUND STRUCTURES

SUPR. U/G STRUCTURES DATE COMMITTEE

NOTE:
LOCATION OF UNDERGROUND STRUCTURES AS SHOWN ARE BASED ON THE BEST INFORMATION AVAILABLE. BUT NO GUARANTEE IS GIVEN THAT ALL EXISTING UTILITIES ARE SHOWN OR THAT THE GIVEN LOCATIONS ARE EXACT. CONFIRMATION OF EXISTENCE AND EXACT LOCATION OF ALL SERVICES MUST BE OBTAINED FROM THE INDIVIDUAL UTILITIES BEFORE PROCEEDING WITH CONSTRUCTION.

NO.	ISSUED FOR CONSTRUCTION	18/06/01	KLC
0	ISSUED FOR CONSTRUCTION	18/06/01	KLC
	NO. REVISIONS	YY/MM/DD	BY

AECOM

DESIGNED BY: NJK
DRAWN BY: KLC
HOR. SCALE: AS NOTED
VERT. SCALE: N/A

CHECKED BY: [Signature]
APPROVED BY: [Signature]
RELEASED FOR CONSTRUCTION: [Signature]
DATE: June 4, 2018

PROFESSIONAL'S SEAL

PROVINCE OF MANITOBA
REGISTERED PROFESSIONAL ENGINEER
BRAUN
Member 24452

CONSULTANT DRAWING NO.
60549028-SHT-30-0000-C-1001

THE CITY OF WINNIPEG
WATER AND WASTE DEPARTMENT

PROVISION OF PIPELINE ACCESS MODIFICATIONS, CLEANING AND SUPPORT SERVICES FOR RIVER CROSSING INSPECTIONS - PHASE TWO

SHEET 2 OF 7
CITY DRAWING NUMBER
D-15159

REV 0

SITE 1
KILDONAN - REDWOOD
FEEDER MAIN - EAST CHAMBER