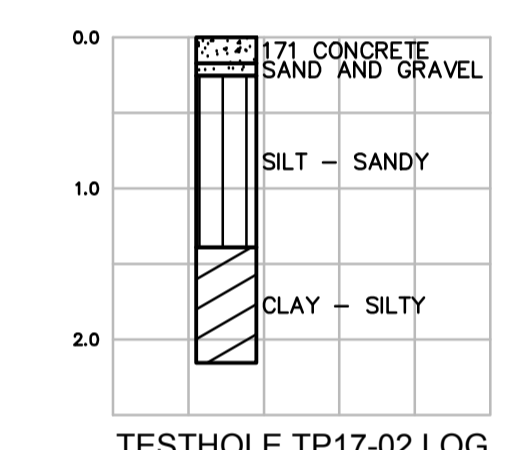


TYPICAL CROSS SECTION



TESTHOLE TP17-02 LOG

REFERENCE NOTES

- A. PAVEMENT DIMENSIONS ARE TO BACK OF CURB
- B. BASELINE IS CENTRE LINE RIGHT-OF-WAY
- C. PROPERTY LINES OBTAINED FROM CITY OF WINNIPEG L.B.I.S., AND NO SCALE FACTOR WAS APPLIED
- D. REFER TO AECOM FIELD BOOK NO. 4994

CONSTRUCTION NOTES

1. REMOVE EXISTING CONCRETE PAVEMENT AND CONSTRUCT NEW 230mm CONCRETE PAVEMENT c/w PLAIN-DOWELLED JOINTS
2. REMOVE EXISTING ASPHALT PAVEMENT AND CONSTRUCT NEW ASPHALTIC PAVEMENT TYPE 1A (75mm)
3. CONSTRUCT NEW MODIFIED BARRIER CURB (180mm HT. INTEGRAL)
4. CONSTRUCT NEW CURB RAMP (10mm HT. INTEGRAL)
5. CONSTRUCT NEW 100mm CONCRETE SIDEWALK
6. INSTALL NEW DETECTABLE WARNING SURFACE TILE
7. REMOVE EXISTING CATCHBASIN AND CATCHPIT AND PLUG EXISTING LEAD
8. INSTALL NEW MODIFIED BARRIER CURB AND GUTTER INLET FRAME AND COVER c/w CATCH BASIN (SD-024) AND CONNECT NEW 250mm LEAD TO EXISTING 600mm LAND DRAINAGE SEWER
9. REMOVE EXISTING FRAME AND COVER AND PLACE NEW FRAME AND SOLID COVER (AP-004/AP-005)
10. ADJUST EXISTING MANHOLE TO GRADE
11. INSTALL NEW CAST IRON RING
12. INSTALL 150mm SUBDRAIN 6.0m ON EACH SIDE OF CATCHBASIN
13. ADJUST EXISTING WATER VALVE TO GRADE
14. REMOVE EXISTING CONCRETE PAVEMENT AND CONSTRUCT NEW 200mm REINFORCED CONCRETE PAVEMENT

AECOM
 Certificate of Authorization
 AECOM Canada Ltd.
 No. 4671 Date: _____

METRIC
 WHOLE NUMBERS INDICATE MILLIMETRES
 DECIMALIZED NUMBERS INDICATE METRES

150 mm W.M.	WATERMAIN	150 mm W.M.	HYDRO	— x —	Q PROFILE
Hydrant	HYDRANT	150 mm L.D.S.	M.T.S.	— x —	LEFT GUTTER
Valve	VALVE	300 mm L.D.S.	CONCRETE	— x —	RIGHT GUTTER
Land Drainage Sewer	LAND DRAINAGE SEWER	250 mm W.W.S.	ASPHALT	— x —	LEFT PROPERTY LINE
Wastewater Sewer	WASTEWATER SEWER	250 mm W.W.S.	PROPERTY LINE	— x —	RIGHT PROPERTY LINE
Manhole	MANHOLE	235.750	SURVEY BAR	— x —	
Catch Basin	CATCH BASIN	235.750	ELEVATION	(235.750)	
Catch Pit	CATCH PIT	2500	TREE	— x —	
Junctions	JUNCTIONS		SIDEWALK RAMP	— x —	
Culvert	CULVERT		CONCRETE SIDEWALK	— x —	
Gas	GAS		FENCE	— x —	
EXISTING	LEGEND - PLAN	PROPOSED	EXISTING	LEGEND - PLAN	PROPOSED
EXISTING	LEGEND - PROFILE	PROPOSED	EXISTING	LEGEND - PROFILE	PROPOSED

LOCATION APPROVED UNDERGROUND STRUCTURES

SUPV. U/G STRUCTURES COMMITTEE DATE

NOTE:
 LOCATION OF UNDERGROUND STRUCTURES AS SHOWN ARE BASED ON THE BEST INFORMATION AVAILABLE. BUT NO GUARANTEE IS GIVEN THAT ALL EXISTING UTILITIES ARE SHOWN OR THAT THE GIVEN LOCATIONS ARE EXACT. CONFIRMATION OF EXISTENCE AND EXACT LOCATION OF ALL SERVICES MUST BE OBTAINED FROM THE INDIVIDUAL UTILITIES BEFORE PROCEEDING WITH CONSTRUCTION.

B.M.	39-034	S.E. Cor. Moray St. & Sauteaux Cres. Tab. in N. Conc. Foundation No. 737 Moray St. 2 m E. & 0.1 m below Conc. blocks of N.W. Cor. of Bldg.
ELEV.	238.277	
NO.	REVISIONS	DATE BY
0	ISSUED FOR TENDER	03/05/2018 BC
A	ISSUED FOR REVIEW	02/02/2018 BC

AECOM

DESIGNED BY: SS
 CHECKED BY: BC/KWR

DRAWN BY: SS/RAM
 APPROVED BY:

HOR. SCALE: 1:250
 VERTICAL: 1:10

RELEASED FOR CONSTRUCTION BY: _____
 DATE: _____

ENGINEER'S SEAL

PROVINCE OF MANITOBA
K.W. RAE
 REGISTERED PROFESSIONAL ENGINEER

CONSULTANT DRAWING NO. CT-06

THE CITY OF WINNIPEG
 PUBLIC WORKS DEPARTMENT
 ENGINEERING DIVISION

2018/2019 INDUSTRIAL STREET RENEWAL PROGRAM

SAULTEAUX CRESCENT EAST LEG - MORAY ST TO MORAY ST
 CONCRETE PAVEMENT RECONSTRUCTION
 STATION 0+920 TO STATION 1+050

CITY DRAWING NUMBER
 SHEET 06 OF 47