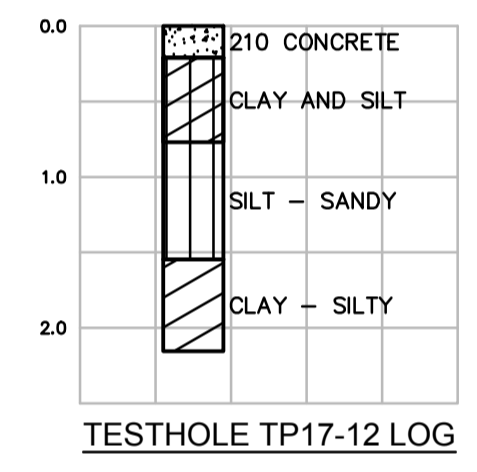


TYPICAL CROSS SECTION

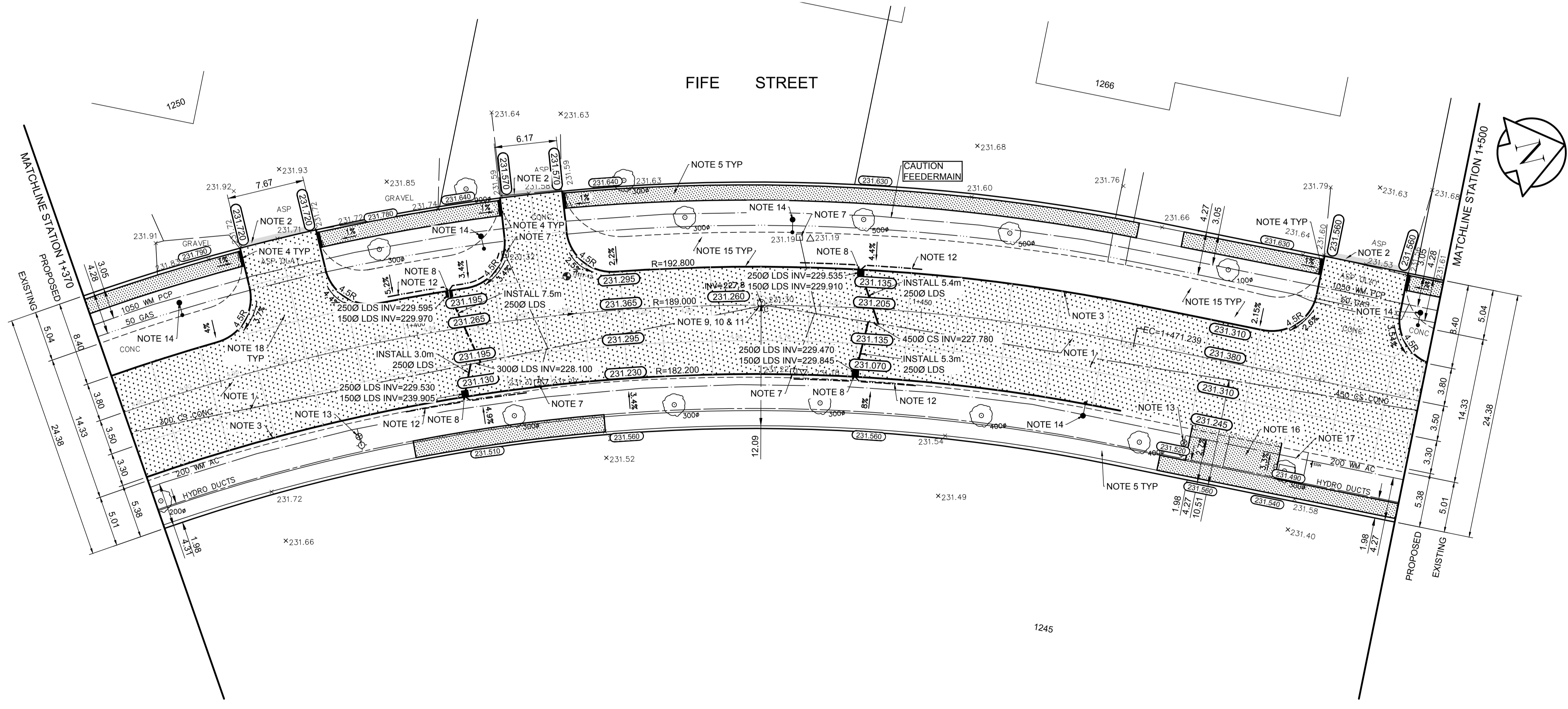


REFERENCE NOTES

- A. PAVEMENT DIMENSIONS ARE TO BACK OF CURB
- B. BASELINE IS CENTRE LINE RIGHT-OF-WAY
- C. PROPERTY LINES OBTAINED FROM CITY OF WINNIPEG L.B.I.S., AND NO SCALE FACTOR WAS APPLIED
- D. REFER TO AECOM FIELD BOOK NO. 4993

CONSTRUCTION NOTES

- REMOVE EXISTING CONCRETE PAVEMENT AND CONSTRUCT NEW 230mm PLAIN DOWELLED CONCRETE PAVEMENT
- REMOVE EXISTING ASPHALT PAVEMENT AND CONSTRUCT NEW ASPHALTIC PAVEMENT TYPE 1A (75mm)
- CONSTRUCT NEW MODIFIED BARRIER CURB (180mm HT. INTEGRAL)
- CONSTRUCT NEW CURB RAMP (10mm HT. INTEGRAL)
- RENEW EXISTING 100mm CONCRETE SIDEWALK
- INSTALL NEW DETECTABLE WARNING SURFACE TILE
- REMOVE EXISTING CATCHBASIN AND CATCHPIT AND PLUG EXISTING LEAD
- INSTALL NEW MODIFIED BARRIER CURB AND GUTTER INLET FRAME AND COVER c/w CATCH BASIN (SD-024) AND CONNECT NEW 250mm LEAD TO EXISTING 300mm COMBINED SEWER
- REMOVE EXISTING FRAME AND COVER AND PLACE NEW FRAME AND SOLID COVER (AP-004/AP-005)
- ADJUST EXISTING MANHOLE TO GRADE
- INSTALL NEW CAST IRON RING
- INSTALL 150mm SUBDRAIN 6.0m ON EACH SIDE OF CATCHBASIN
- ADJUST EXISTING WATER VALVE TO GRADE
- REMOVE EXISTING LIGHT STANDARD (BY OTHERS)
- REMOVE EXISTING CONCRETE PAVEMENT AND PLACE AND COMPACT SUITABLE SITE MATERIAL
- CONSTRUCT NEW 100mm CONCRETE SIDEWALK
- REMOVE EXISTING CONCRETE SIDEWALK
- REMOVE EXISTING CONCRETE PAVEMENT AND CONSTRUCT NEW 200mm REINFORCED CONCRETE PAVEMENT



AECOM
 Certificate of Authorization
 AECOM Canada Ltd.
 No. 4671 Date: _____

METRIC
 WHOLE NUMBERS INDICATE MILLIMETRES
 DECIMALIZED NUMBERS INDICATE METRES

150 mm W.M.	WATERMAIN	150 mm W.M.	HYDRANT	— x —	Q PROFILE
300mm L.D.S.	LAND DRAINAGE SEWER	300mm L.D.S.	VALVE	— □ —	WEST GUTTER
250mm W.W.S.	WASTEWATER SEWER	250mm W.W.S.	MANHOLE	— ○ —	EAST GUTTER
	CATCH BASIN		CATCH PIT	— ◇ —	N/W PROPERTY LINE
	JUNCTIONS		CULVERT	— ○ —	S/E PROPERTY LINE
	LEGEND - PLAN		PROPOSED		
	LEGEND - PLAN		PROPOSED		
	LEGEND - PROFILE		PROPOSED		

LOCATION APPROVED UNDERGROUND STRUCTURES

SUPV. U/G STRUCTURES COMMITTEE DATE

NOTE:
 LOCATION OF UNDERGROUND STRUCTURES AS SHOWN ARE BASED ON THE BEST INFORMATION AVAILABLE. BUT NO GUARANTEE IS GIVEN THAT ALL EXISTING UTILITIES ARE SHOWN OR THAT THE GIVEN LOCATIONS ARE EXACT. CONFIRMATION OF EXISTENCE AND EXACT LOCATION OF ALL SERVICES MUST BE OBTAINED FROM THE INDIVIDUAL UTILITIES BEFORE PROCEEDING WITH CONSTRUCTION.

B.M.	24-025	N.W. Cor. Mountain Ave. & File St. Tbl. in 12m Conc. Pipe beneath Valve Box, 1.9m S. of N. L. of ELEV. 231.217	Mountain Ave. produced from the E. of W.L. of File St.
NO.	REVISIONS	DATE	BY
0	ISSUED FOR TENDER	03/05/2018	BC
A	ISSUED FOR REVIEW	02/02/2018	BC

AECOM

DESIGNED BY	SS	CHECKED BY	BC/KWR
DRAWN BY	SS/RAM	APPROVED BY	
HOR. SCALE:	1:250	RELEASED FOR CONSTRUCTION BY:	
VERTICAL:	1:10	DATE	

ENGINEER'S SEAL
K.W. RAE
 REGISTERED PROFESSIONAL ENGINEER

THE CITY OF WINNIPEG
 PUBLIC WORKS DEPARTMENT
 ENGINEERING DIVISION

2018/2019 INDUSTRIAL STREET RENEWAL PROGRAM

FIFE STREET - COLLEGE AVENUE TO INKSTER BOULEVARD
 CONCRETE PAVEMENT RECONSTRUCTION
 STATION 1+370 TO STATION 1+500

CITY DRAWING NUMBER
 SHEET 23 OF 47

CONSULTANT DRAWING NO.
 CT-23