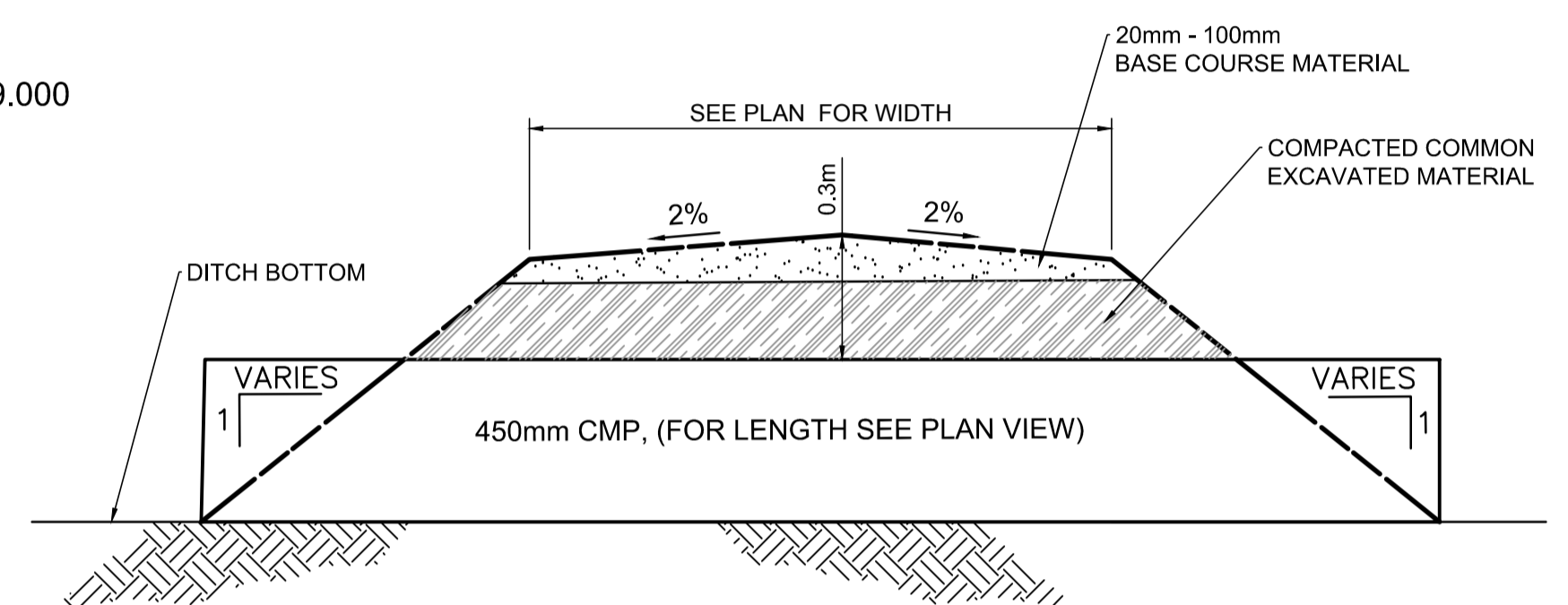


50 ASPHALT (TYPE 1A)  
 75 ASPHALT (TYPE III)  
 75 BASE COURSE MATERIAL  
 375 CRUSHED SUB BASE MATERIAL  
 (MAX. SIZE 50mm)  
 SEPARATION GEOTEXTILE FABRIC  
 GEOGRID  
 PREPARED SUBGRADE

TYPICAL CROSS SECTION



'A' ACCESS PAD CROSS SECTION  
 NOT TO SCALE

REFERENCE NOTES

- A. PAVEMENT DIMENSIONS ARE TO BACK OF CURB
- B. BASELINE IS CENTRE LINE RIGHT-OF-WAY
- C. PROPERTY LINES OBTAINED FROM CITY OF WINNIPEG L.B.I.S., AND NO SCALE FACTOR WAS APPLIED
- D. REFER TO AECOM FIELD BOOK NO. 4994

CONSTRUCTION NOTES

1. REMOVE EXISTING CONCRETE PAVEMENT AND CONSTRUCT NEW 200mm REINFORCED CONCRETE PAVEMENT c/w NEW ASPHALTIC OVERLAY
2. PLACE NEW ASPHALTIC PAVEMENT TYPE III (75mm) AND TYPE 1A (50mm)
3. INSTALL NEW CURB AND GUTTER INLET c/w CATCH BASIN (SD-024) AND CONNECT TO NEW 450 Ø CORRUGATED CULVERT
4. INSTALL NEW CURB AND GUTTER INLET c/w CATCH PIT (SD-023) AND CONNECT TO NEW CATCH BASIN
5. INSTALL 5.0m OF 450 Ø CORRUGATED STEEL CULVERT
6. RENEW EXISTING CONCRETE BARRIER CURB (150mm REVEAL HT. DOWELLED)
7. INSTALL NEW CONCRETE BARRIER CURB (150mm REVEAL HT. SEPARATE)
8. INSTALL NEW CONCRETE BARRIER CURB (150mm REVEAL HT. DOWELLED)
9. CONSTRUCT NEW BARRIER CURB AND GUTTER (600mm WIDTH, 180mm HT.)
10. REMOVE EXISTING CONCRETE/ASPHALTIC PAVEMENT
11. CONSTRUCT NEW MONOLITHIC CONCRETE SPLASH STRIP (150mm REVEAL HT. DOWELLED)
12. CONSTRUCT NEW MONOLITHIC CONCRETE BULLNOSE
13. INSTALL NEW CONCRETE BASE c/w SIGN CLAMP
14. CONSTRUCT NEW MONOLITHIC CONCRETE MEDIAN SLAB
15. REGRADE EXISTING DITCH

BASELINE UTM COORDINATES			
POINT I.D.	DESCRIPTION	NORTHING	EASTING
C14	ET/BT: 0+110.714	5529138.988	623860.804
C15	ET/BC: 0+246.646	5529140.923	623880.710
C16	ET/EC: 0+110.714	5529139.442	623880.940
C17	ET/BC: 0+285.100	5529141.599	623919.381
C18	EC/BT: 0+346.475	5529151.113	623980.037
C19	0.75m BULLNOSE RAD	5529140.179	623880.801

**AECOM**  
 Certificate of Authorization  
 AECOM Canada Ltd.  
 No. 4671 Date: \_\_\_\_\_

**METRIC**  
 WHOLE NUMBERS INDICATE MILLIMETRES  
 DECIMALIZED NUMBERS INDICATE METRES

EXISTING	LEGEND - PLAN	PROPOSED	EXISTING	LEGEND - PLAN	PROPOSED	EXISTING	LEGEND - PROFILE	PROPOSED
150mm W.M.	WATERMAIN	150mm W.M.	---	HYDRO	---	---	Q PROFILE	---
Hydrant	HYDRANT	Hydrant	---	M.T.S.	---	---	NORTH GUTTER	---
Valve	VALVE	Valve	---	CONCRETE	---	---	SOUTH GUTTER	---
300mm L.D.S.	LAND DRAINAGE SEWER	300mm L.D.S.	---	ASPHALT	---	---	N/W PROPERTY LINE	---
250mm W.W.S.	WASTEWATER SEWER	250mm W.W.S.	---	PROPERTY LINE	---	---	S/E PROPERTY LINE	---
Manhole	MANHOLE	Manhole	---	SURVEY BAR	---	---		---
Catch Basin	CATCH BASIN	Catch Basin	---	ELEVATION	(235.750)	---		---
Catch Pit	CATCH PIT	Catch Pit	---	TREE	---	---		---
Junctions	JUNCTIONS	Junctions	---	SIDEWALK RAMP	---	---		---
Culvert	CULVERT	Culvert	---	CONCRETE SIDEWALK	---	---		---
Gas	GAS	Gas	---	FENCE	---	---		---

**LOCATION APPROVED UNDERGROUND STRUCTURES**

SUPV. U/G STRUCTURES COMMITTEE DATE \_\_\_\_\_

NOTE: LOCATION OF UNDERGROUND STRUCTURES AS SHOWN ARE BASED ON THE BEST INFORMATION AVAILABLE. BUT NO GUARANTEE IS GIVEN THAT ALL EXISTING UTILITIES ARE SHOWN OR THAT THE GIVEN LOCATIONS ARE EXACT. CONFIRMATION OF EXISTENCE AND EXACT LOCATION OF ALL SERVICES MUST BE OBTAINED FROM THE INDIVIDUAL UTILITIES BEFORE PROCEEDING WITH CONSTRUCTION.

NO.	REVISIONS	DATE	BY	DATE
0	ISSUED FOR TENDER	03/05/2018	BC	
A	ISSUED FOR REVIEW	02/02/2018	BC	

**AECOM**

DESIGNED BY: SS  
 CHECKED BY: BC/KWR

DRAWN BY: SS  
 APPROVED BY:

HOR. SCALE: 1:250  
 VERTICAL: 1:10

RELEASED FOR CONSTRUCTION BY: \_\_\_\_\_

ENGINEER'S SEAL

PROVINCE OF MANITOBA

**K.W. RAE**

REGISTERED PROFESSIONAL ENGINEER

CONSULTANT DRAWING NO. CT-26

**THE CITY OF WINNIPEG**  
 PUBLIC WORKS DEPARTMENT  
 ENGINEERING DIVISION

2018/2019 INDUSTRIAL STREET RENEWAL PROGRAM

SASKATCHEWAN AVENUE - STURGEON RD TO MORAY ST  
 PAVEMENT REHABILITATION  
 STATION 0+220 TO STATION 0+350

CITY DRAWING NUMBER: SHEET 26 OF 47