

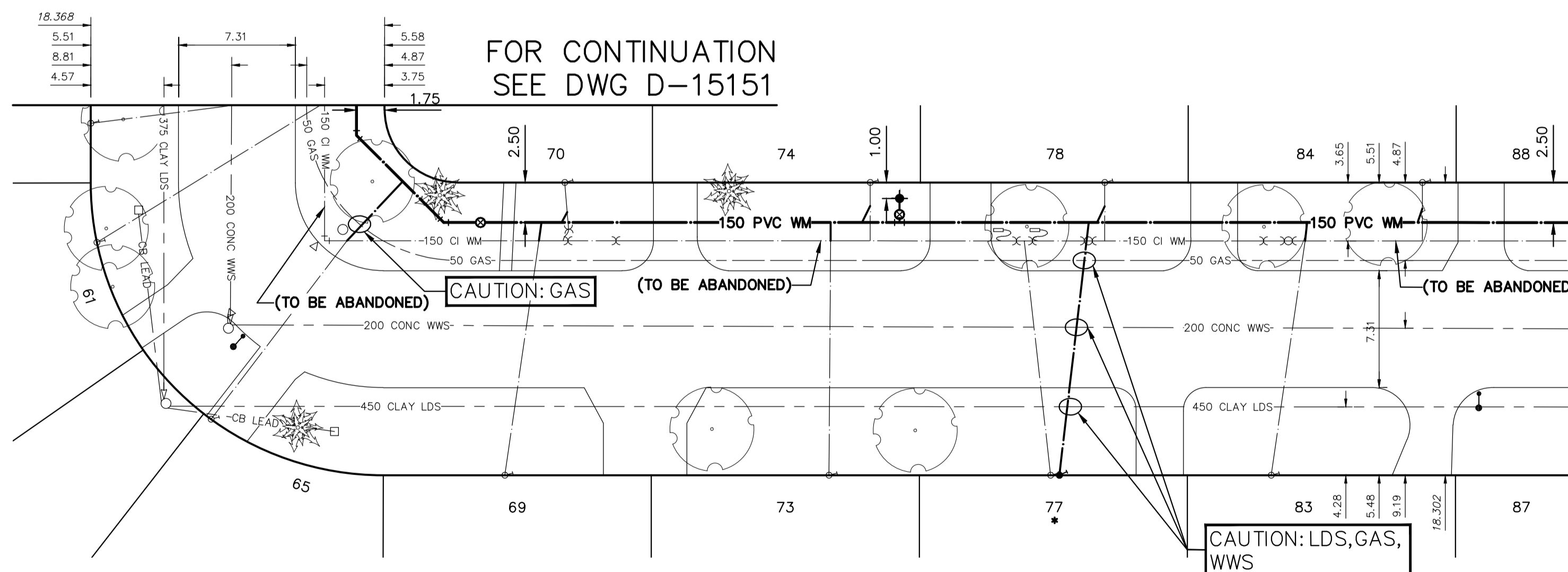
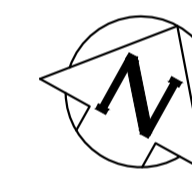
WATER SERVICE INFORMATION

ADDRESS	SIZE (mm) MATERIAL (STREET)	SIZE (mm) MATERIAL (PROP.)	SHORT & LONG MEASUREMENT	CORP. LOCATION	REMARKS
65 FARWELL BAY (S-LEG) RESIDENTIAL	20 CU	20	5.52m EW HSE 10.850m WEL FARWELL BY W-LEG	8.5 E OF S/C	RECONNECT SERVICE
69 FARWELL BAY (S-LEG) RESIDENTIAL	20 CU	20	5.10m WEL HSE 7.520m EEL FARWELL BY W-LEG	2.1 E OF S/C	RECONNECT SERVICE
70 FARWELL BAY (S-LEG) RESIDENTIAL	20 CU	20	3.03m WEL HSE 11.266m EEL FARWELL BY W-LEG	0.1 W OF S/C	RECONNECT SERVICE
73 FARWELL BAY (S-LEG) RESIDENTIAL	20 CU	20	4.12m WEL HSE 27.788m EEL FARWELL BY W-LEG	OPP S/C	RECONNECT SERVICE
74 FARWELL BAY (S-LEG) RESIDENTIAL	20 CU	20	1.00m WEL HSE 30.361m EEL FARWELL BY W-LEG	OPP S/C	RECONNECT SERVICE
77 FARWELL BAY (S-LEG) RESIDENTIAL	20 CU	20	4.93m WEL HSE 47.684m EEL FARWELL BY W-LEG	1.6 W OF S/C	RENEW TO R ₂ W/20 CU
78 FARWELL BAY (S-LEG) RESIDENTIAL	20 CU	20	OPP EL HSE 45.027m EEL FARWELL BY W-LEG	1.4 W OF S/C	RECONNECT SERVICE
83 FARWELL BAY (S-LEG) RESIDENTIAL	20 CU	20	3.52m EW HSE 55.434m EEL FARWELL BY W-LEG	2.1 E OF S/C	RECONNECT SERVICE
84 FARWELL BAY (S-LEG) RESIDENTIAL	20 CU	20	OPP EL HSE 64.863m EEL FARWELL BY W-LEG	OPP S/C	RECONNECT SERVICE

* SERVICES TO BE RENEWED TO R₂. ALL OTHERS TO BE RECONNECTED

NOTE: CHAINAGES SHOWN ARE ALONG N. R₂ OF FARWELL BAY (S-LEG)

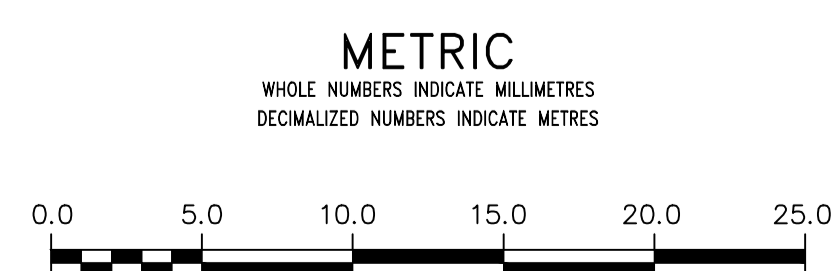
FARWELL BAY (S-LEG)



FOR CONTINUATION
SEE DWG D-15153

FOR INDEX SEE
D-15144

NOTE: ALL VALVES TO BE INSTALLED
COUNTERCLOCKWISE TO CLOSE



WARNING
IF POWER EQUIPMENT OR EXPLOSIVES ARE TO BE USED FOR EXCAVATION ON THIS PROJECT THE CONTRACTOR MUST:
1) NOTIFY THE GAS COMPANY OF THE PROPOSED LOCATION OF EXCAVATION.
2) TAKE PRECAUTION TO AVOID DAMAGE TO GAS COMPANY INSTALLATIONS.
SEE PROVINCIAL REGULATION 210/72 FOR DETAILS

LOCATION APPROVED UNDERGROUND STRUCTURES
SUPV. U/G STRUCTURES COMMITTEE DATE
NOTE:
LOCATION OF UNDERGROUND STRUCTURES AS SHOWN ARE BASED ON THE BEST INFORMATION AVAILABLE BUT NO GUARANTEE IS GIVEN THAT ALL EXISTING UTILITIES ARE SHOWN OR THAT THE GIVEN LOCATIONS ARE EXACT. CONFIRMATION OF EXISTENCE AND EXACT LOCATION OF ALL SERVICES MUST BE OBTAINED FROM THE INDIVIDUAL UTILITIES BEFORE PROCEEDING WITH CONSTRUCTION.

B.M. ELEV.	NO.	REVISIONS	DATE	BY

DESIGNED BY	MJK	CHECKED BY	SC
DRAWN BY	AJ	APPROVED BY	KZ
SCALE:			
HORIZONTAL	1:250		
VERTICAL	1:50		
DATE	2018 05 31	RELEASED FOR CONSTRUCTION	KAS ZUREK
DATE	2018 05 31	DATE	2018 05 31

ENGINEER'S SEAL
ORIGINAL SIGNED BY S.R.J. COURNOYER
18/05/31
CONSULTANT DRAWING NUMBER

THE CITY OF WINNIPEG
WATER AND WASTE DEPARTMENT
ENGINEERING DIVISION

2018 WATER MAIN RENEWALS
CONTRACT 10
FARWELL BAY (S-LEG)
FARWELL BAY (W-LEG) TO
75 E OF FARWELL BAY (W-LEG)

SHEET 10 OF 14
CITY DRAWING NUMBER
D-15152