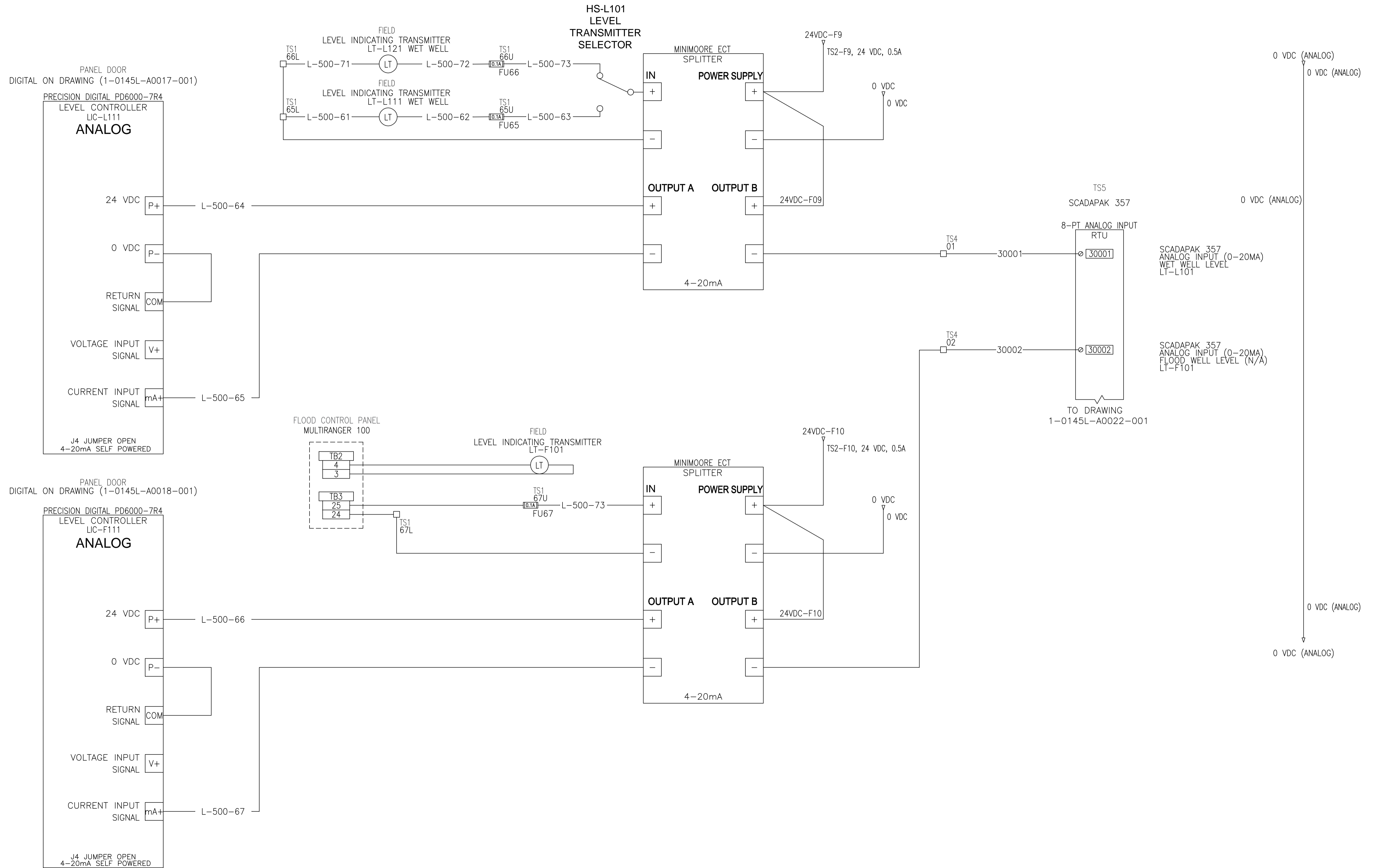


29 June 2018

163523-04-5.dwg



NOT FOR CONSTRUCTION



DESIGNED BY		BKB		CHECKED BY		BLM	
DRAWN BY		SCK		APPROVED BY		MH	
HOR. SCALE		NONE		RELEASED FOR CONSTRUCTION			
VERTICAL				DATE		JUNE 2018	
NO.		REVISIONS		DATE		BY	
0		ISSUED FOR TENDER		06/29/18		BLM	

ENGINEER'S SEAL	
CONSULTANT PROJECT NUMBER	18-6936

THE CITY OF WINNIPEG
WATER AND WASTE DEPARTMENT

HAWTHORNE WASTEWATER PUMPING STATION UPGRADES

AI 01-02 LEVEL FEEDBACK

CITY DRAWING NUMBER: 1-0145L-A0021-001
SHEET 21 OF 25
CONSULTANT DRAWING NUMBER: 21