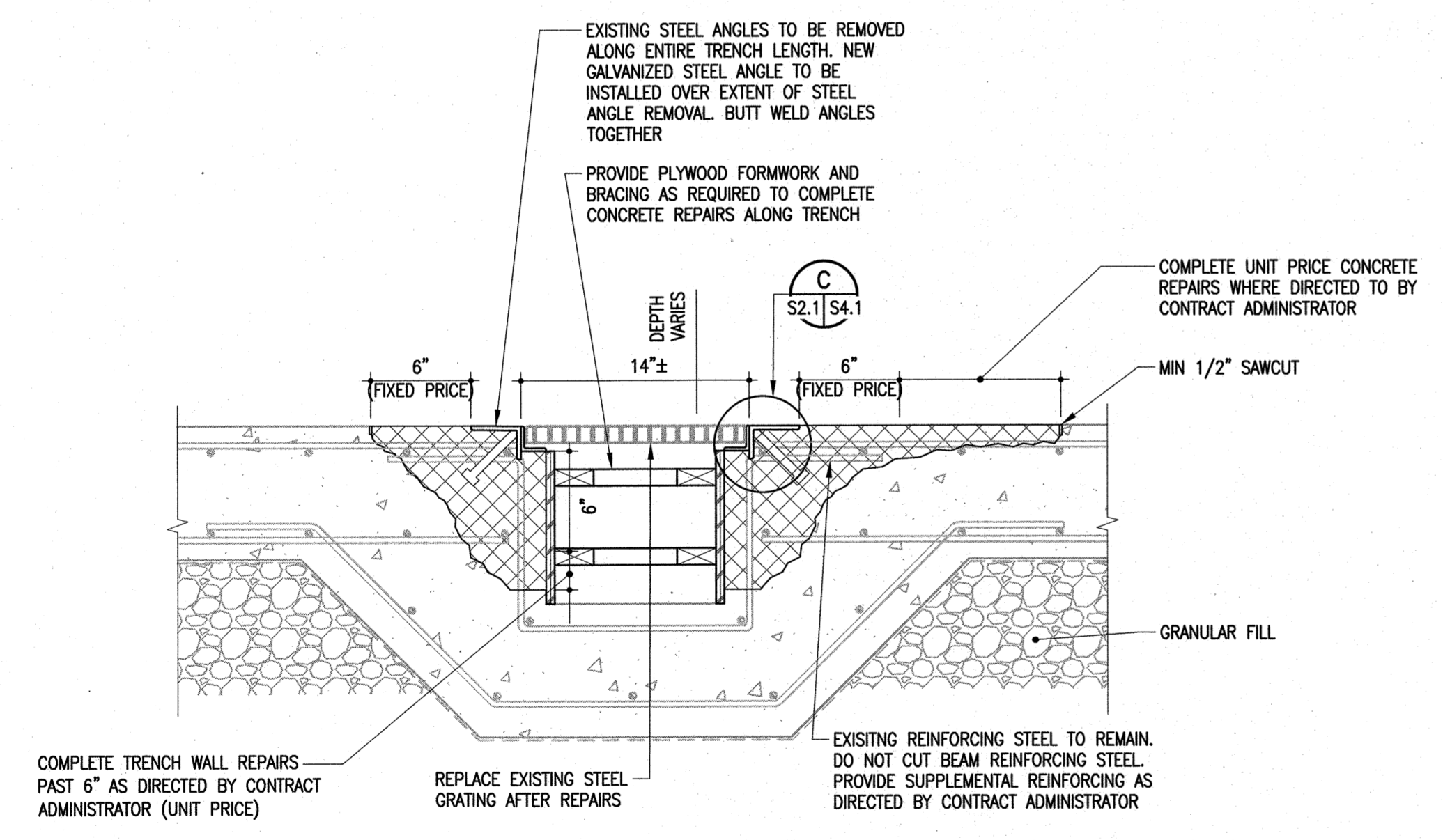
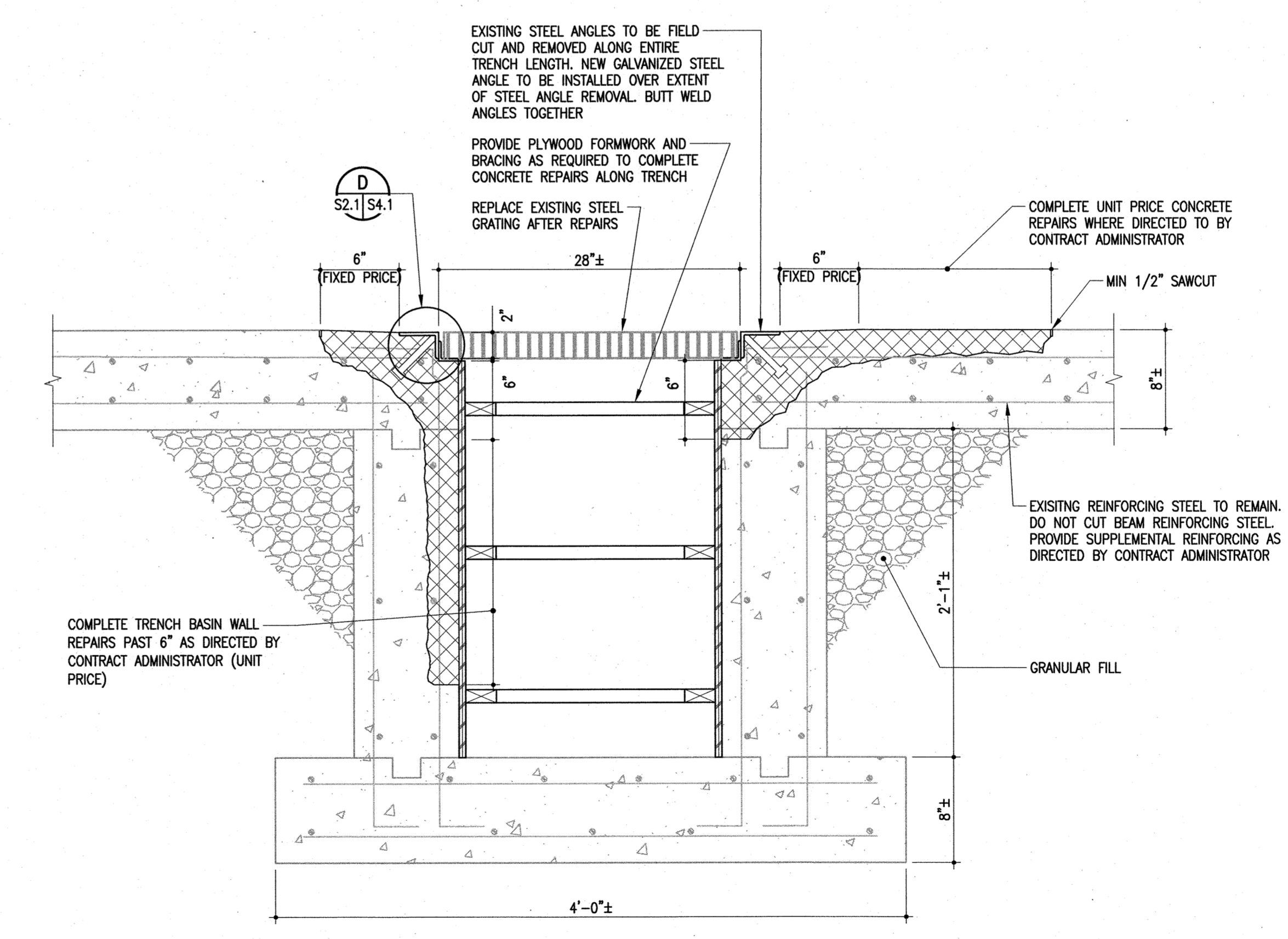


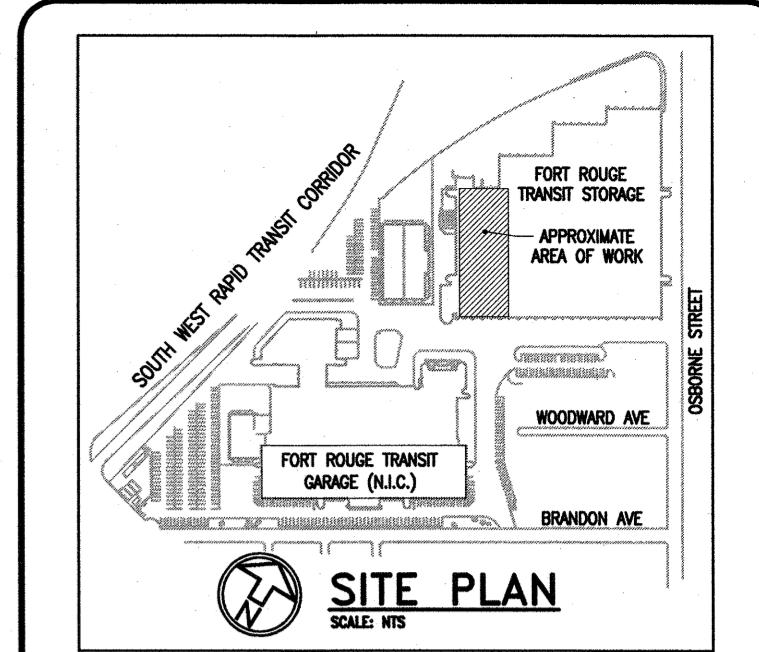
**PARTIAL FLOOR PLAN
REPAIR PLAN**
1/8" = 1'-0"



1 TYPICAL TRENCH EDGE REPAIR
S2.1 | S2.1 | 1/2" = 1'-0"



2 TYPICAL CATCH BASIN SECTION
S2.1 | S2.1 | 1/2" = 1'-0"



- GENERAL NOTES**
- DO NOT SCALE DRAWINGS.
 - ALL DIMENSIONS ARE BASED ON ORIGINAL DRAWINGS AND TO BE VERIFIED WITH THE EXISTING SITE CONDITIONS PRIOR TO CONSTRUCTION.
 - THESE STRUCTURAL DRAWINGS SHOW THE COMPLETED STRUCTURE AND DO NOT INDICATE ALL COMPONENTS NECESSARY FOR SAFETY DURING CONSTRUCTION. THE CONTRACTOR SHALL BE SOLELY RESPONSIBLE FOR SAFETY ON AND AROUND THE JOBSITE DURING CONSTRUCTION.
 - PROTECT ALL WORK FROM BUS WHEEL TRAFFIC.
 - REFER TO SPECIFICATION, SECTIONS FOR FULL SCOPE OF REPAIR DETAILS.

The General Contractor shall check & verify all dimensions and report any errors or omissions to the designers.

No.	Date	Issue/Revision	By
0	2018-05-01	ISSUED FOR CONSTRUCTION	IM



Consultant

300-275 Carlton Street
Winnipeg, Manitoba R3C 5R6
T 204. 943. 7501
F 204. 943. 7507

**Crosier Kilgour
& Partners Ltd.**
CONSULTING STRUCTURAL ENGINEERS

Project
**FORT ROUGE TRANSIT GARAGE
TRENCH REPAIR**

421 OSBORNE STREET
WINNIPEG, MANITOBA

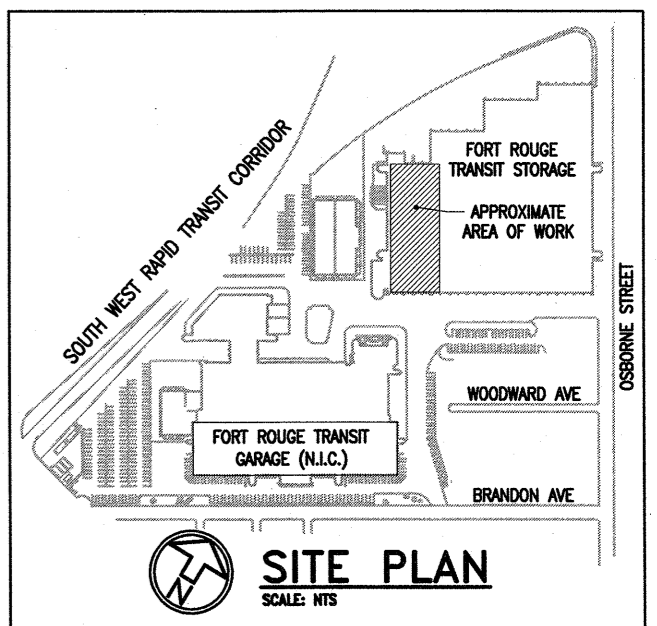
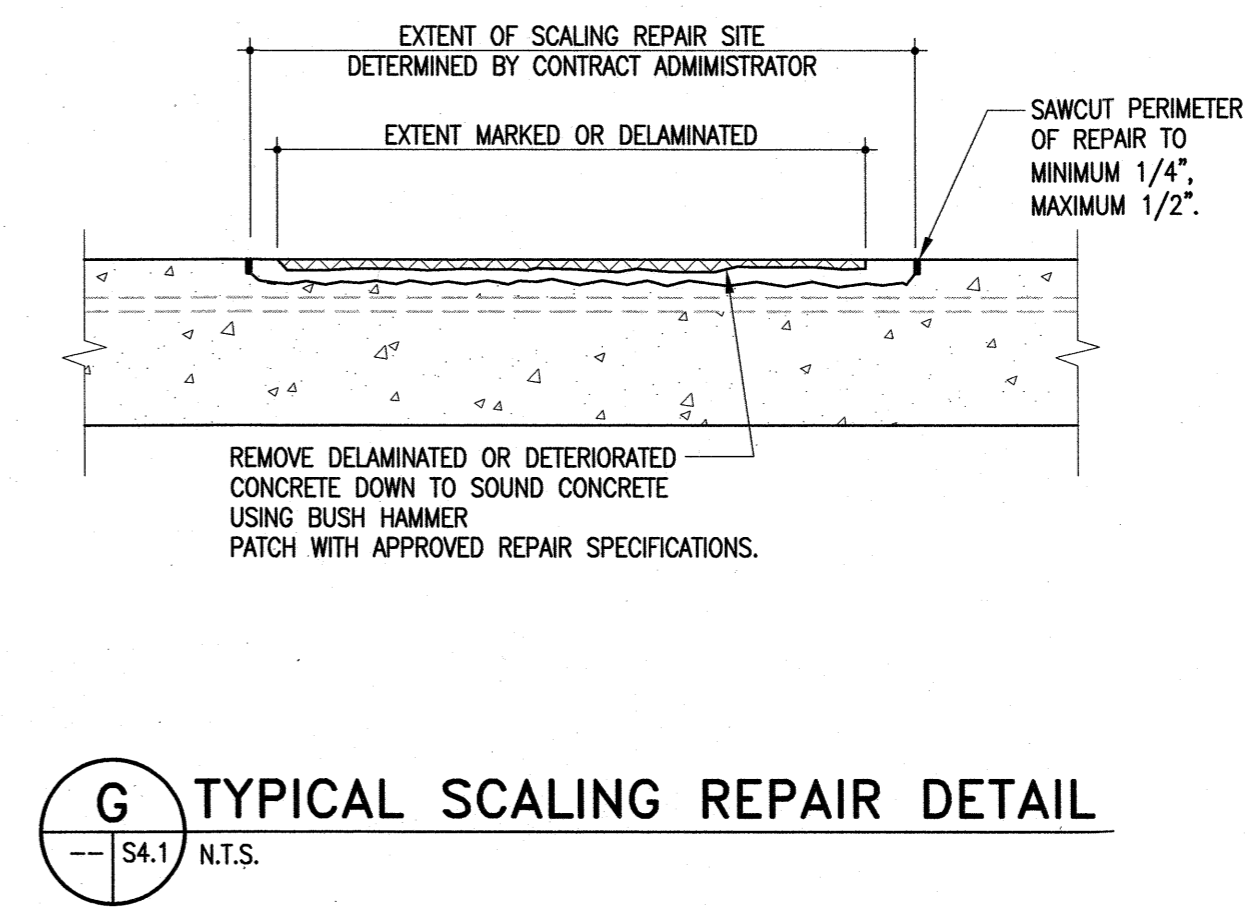
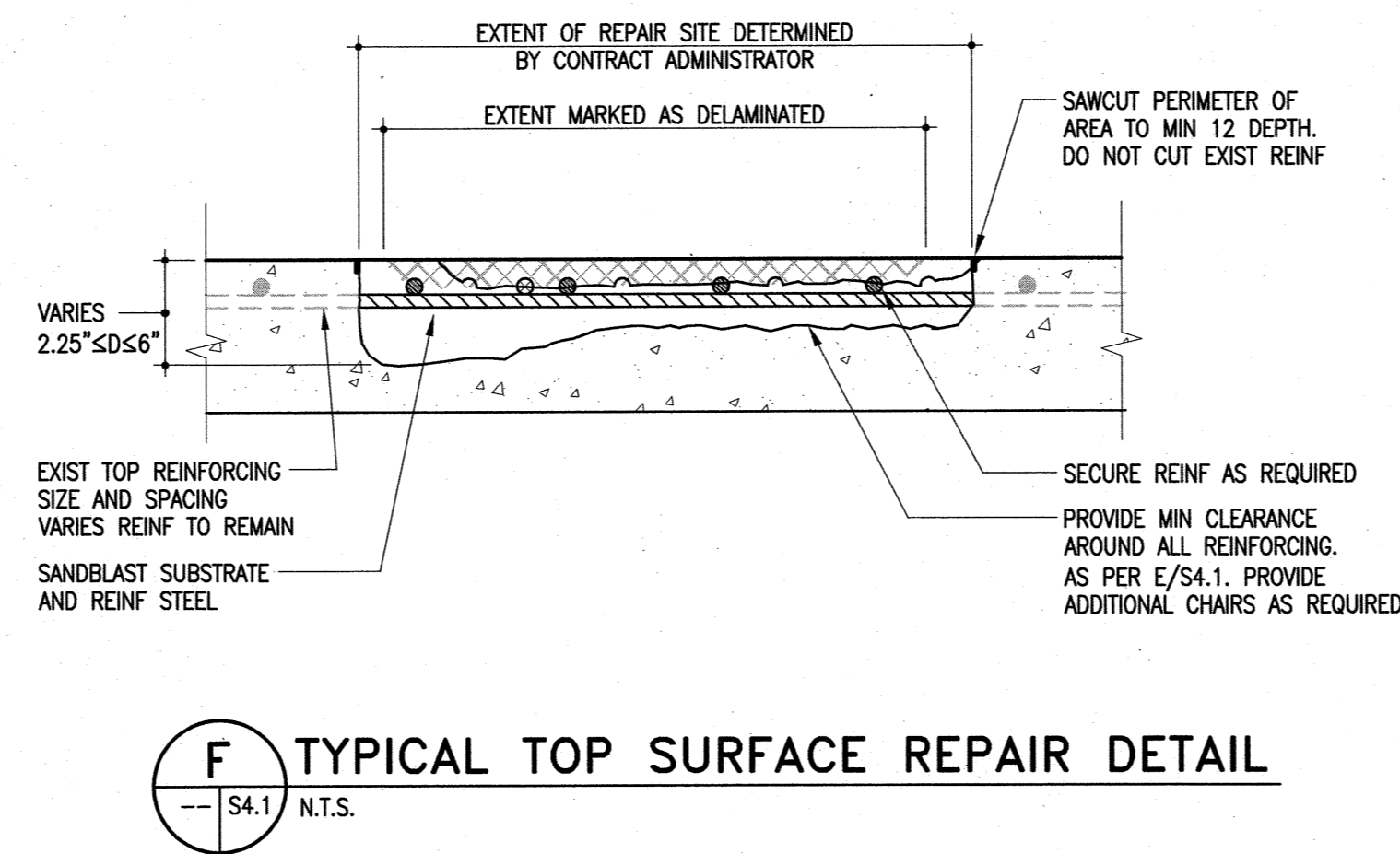
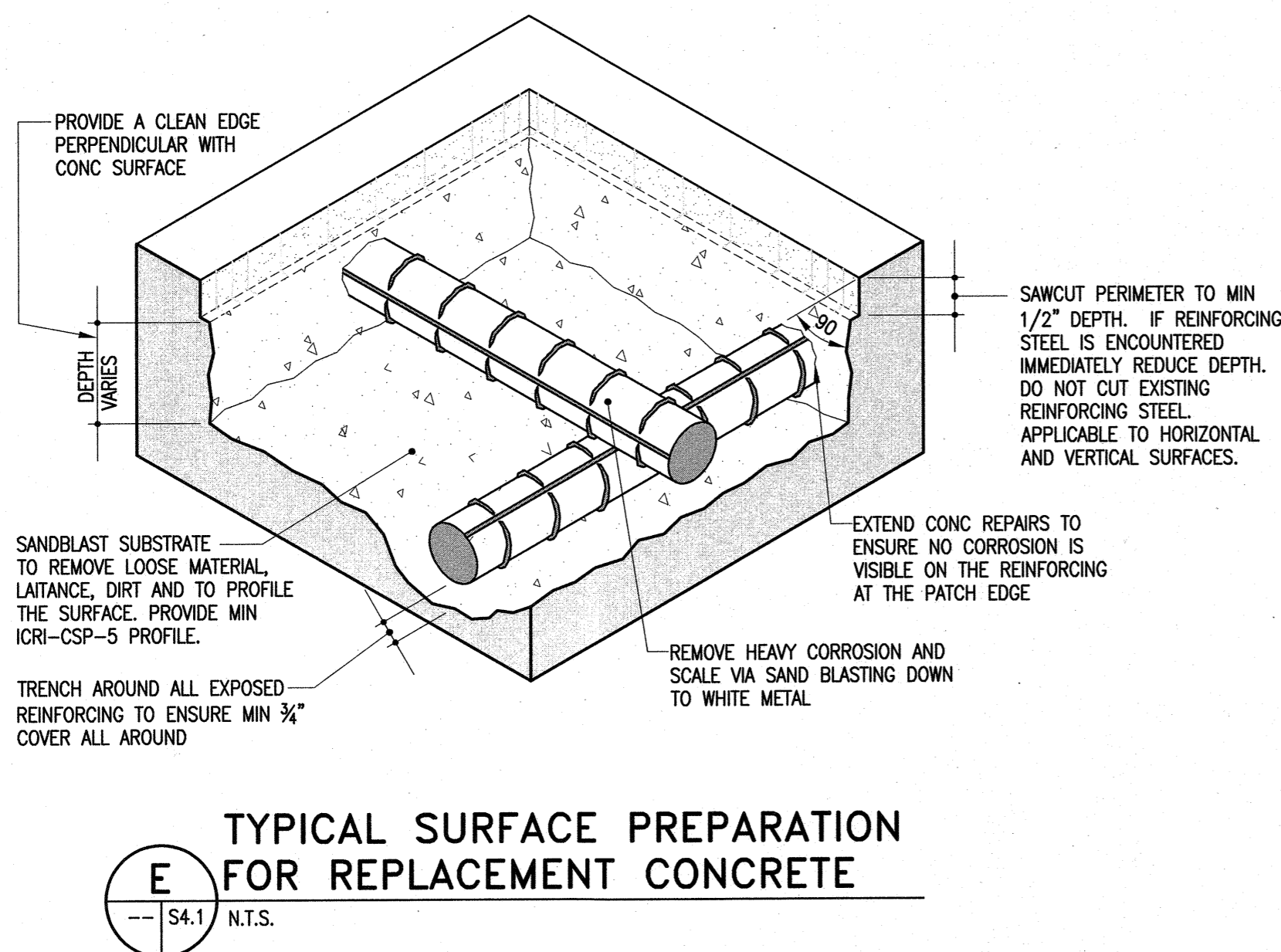
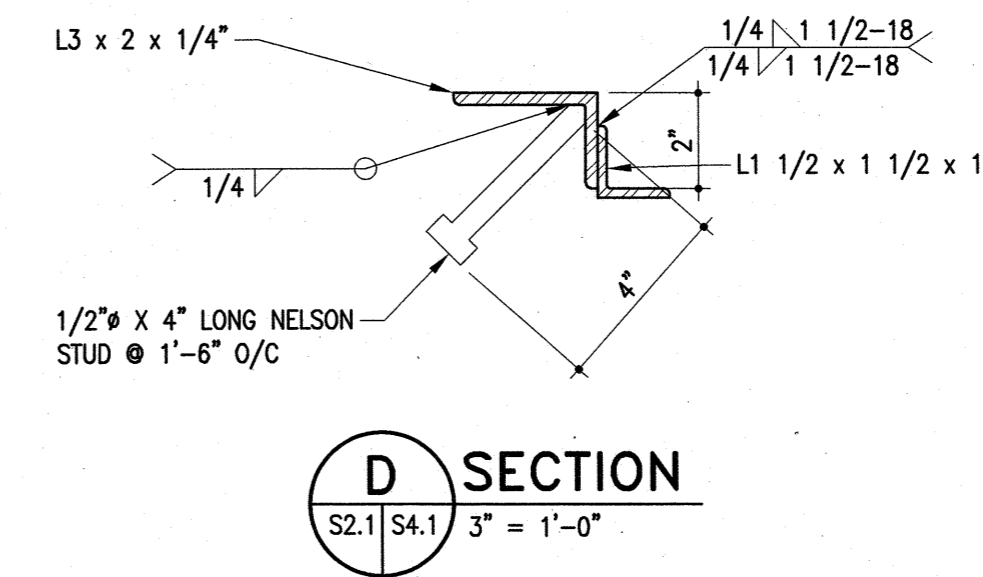
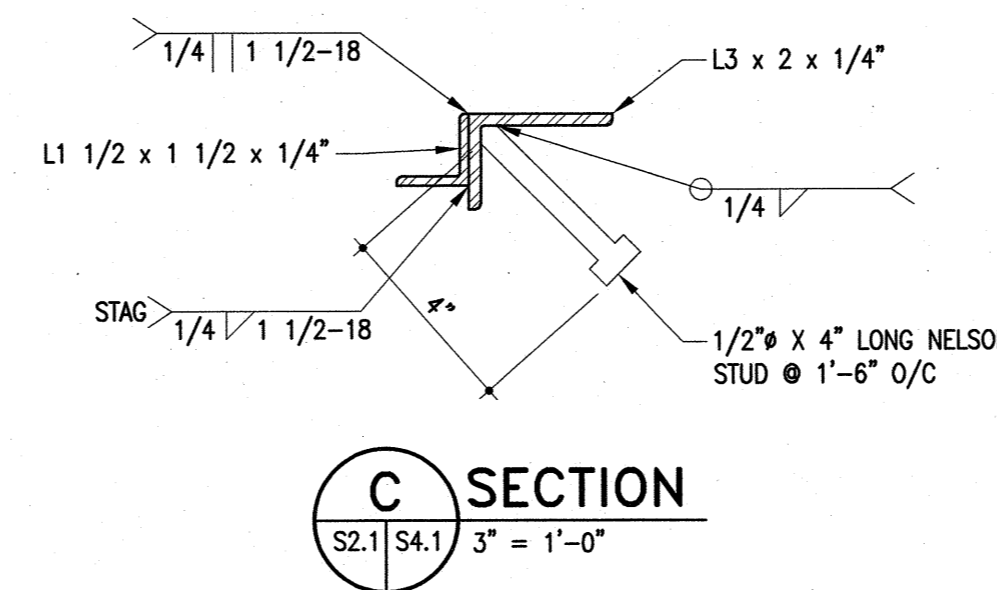
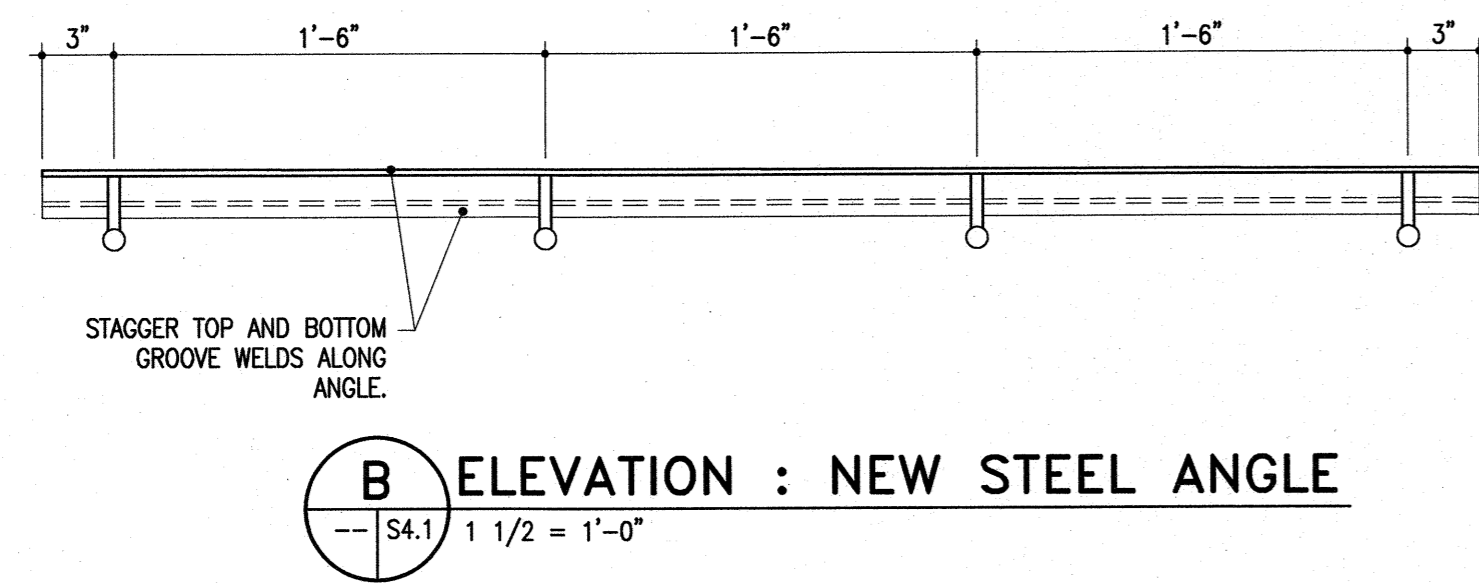
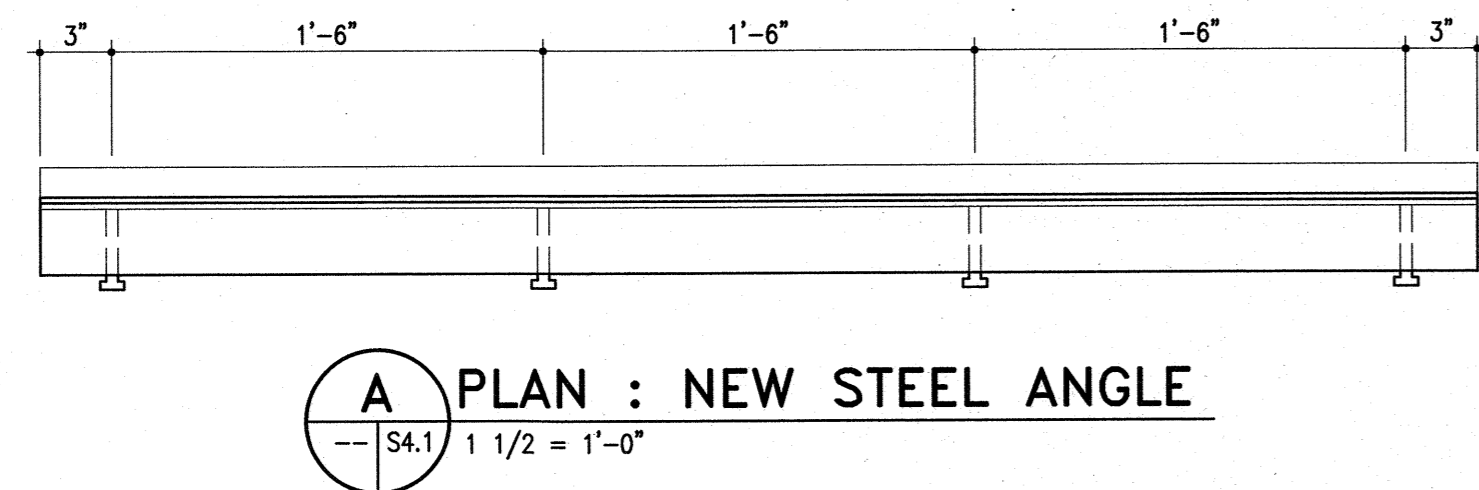
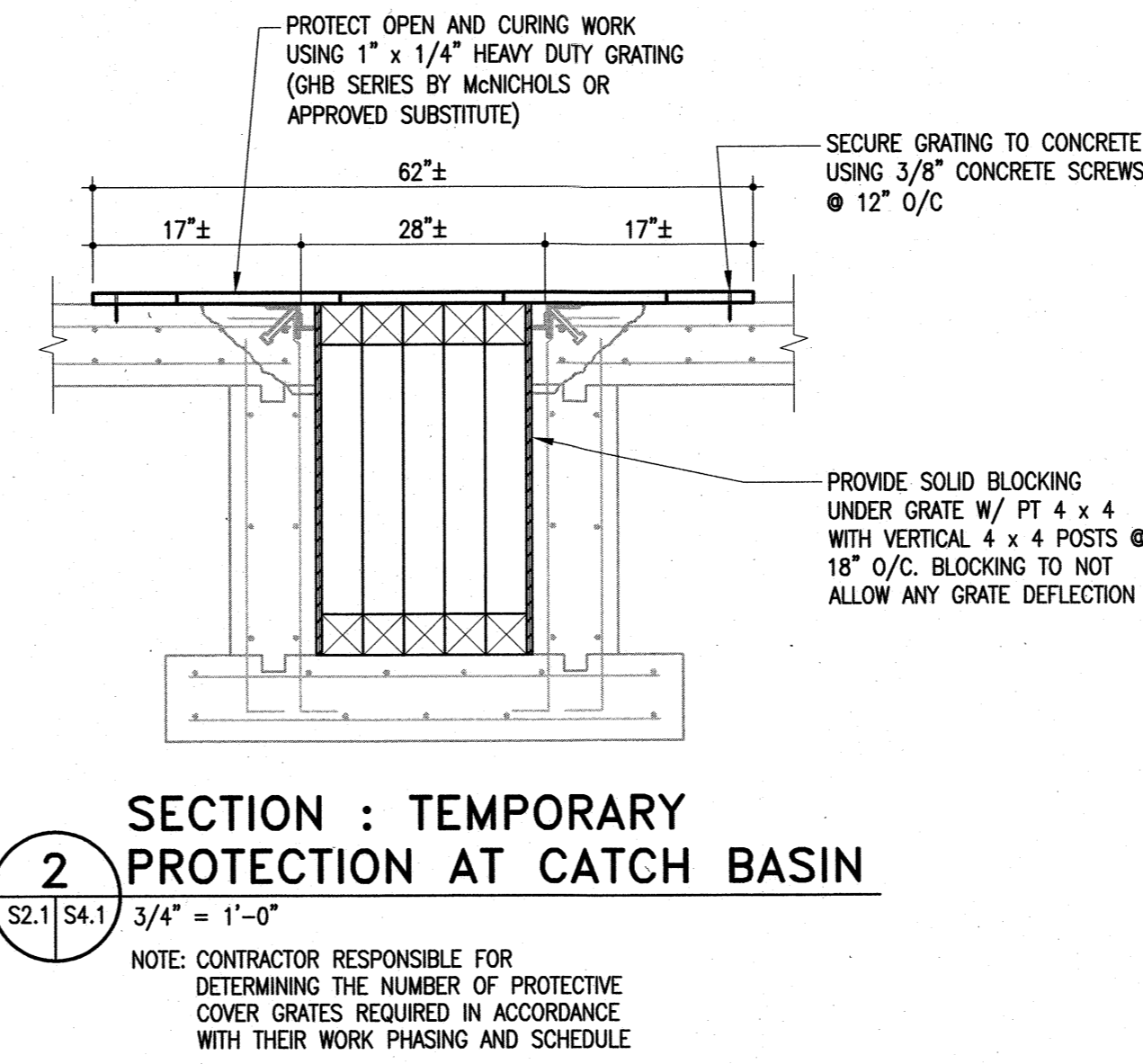
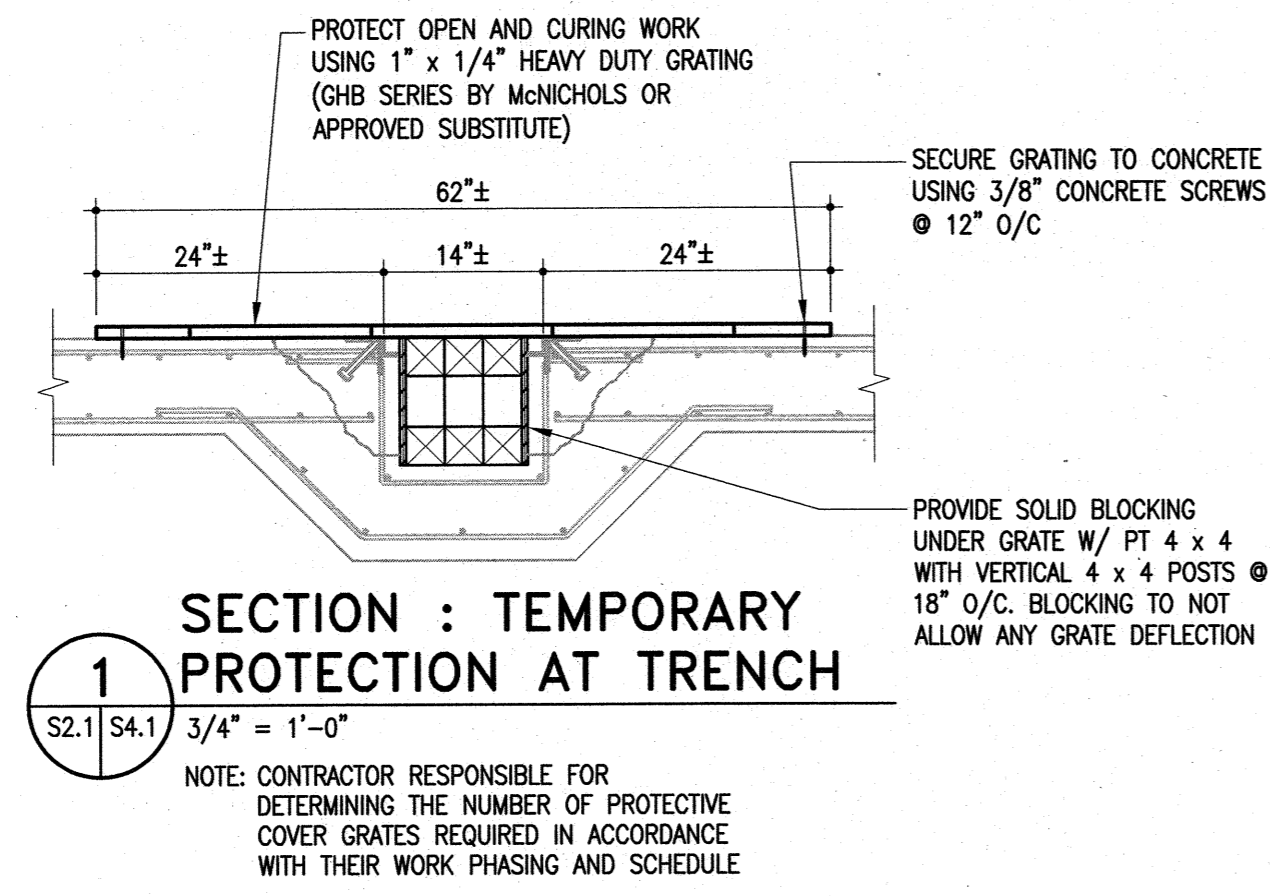
Sheet Title
**PARTIAL FLOOR PLAN,
REPAIR SECTIONS**

File 2016-1442 Date 2018-05-01

Design IM Drawn JSR

Revision 0 Sheet No.

S2.1



- GENERAL NOTES
- DO NOT SCALE DRAWINGS.
 - ALL DIMENSIONS ARE BASED ON ORIGINAL DRAWINGS AND TO BE VERIFIED WITH THE EXISTING SITE CONDITIONS PRIOR TO CONSTRUCTION.
 - THESE STRUCTURAL DRAWINGS SHOW THE COMPLETED STRUCTURE AND DO NOT INDICATE ALL COMPONENTS NECESSARY FOR SAFETY DURING CONSTRUCTION. THE CONTRACTOR SHALL BE SOLELY RESPONSIBLE FOR SAFETY ON AND AROUND THE JOBSITE DURING CONSTRUCTION.
 - PROTECT ALL WORK FROM BUS WHEEL TRAFFIC.
 - REFER TO SPECIFICATION, SECTIONS FOR FULL SCOPE OF REPAIR DETAILS.
- The General Contractor shall check & verify all dimensions and report any errors or omissions to the designers.

No.	Date	Issue/Revision	By
0	2018-05-01	ISSUED FOR CONSTRUCTION	IM

APEGM
Certificate of Authorization
Crosier Kilgour & Partners Ltd.
No. 235 Date: 2018-05-01

PROVINCE OF MANITOBA
I. MINENKOV
Member
33444
REGISTERED PROFESSIONAL ENGINEER
2018 MAY 01

Consultant

300-275 Carlton Street
Winnipeg, Manitoba R3C 5R6
T 204. 943. 7501
F 204. 943. 7507

Crosier Kilgour & Partners Ltd.
CONSULTING STRUCTURAL ENGINEERS

Project
FORT ROUGE TRANSIT GARAGE
TRENCH REPAIR
421 OSBORNE STREET
WINNIPEG, MANITOBA

Sheet Title
TYPICAL DETAILS

File	2016-1442	Date	2018-05-01
Design	IM	Drawn	JSR
Revision	0	Sheet No.	S4.1