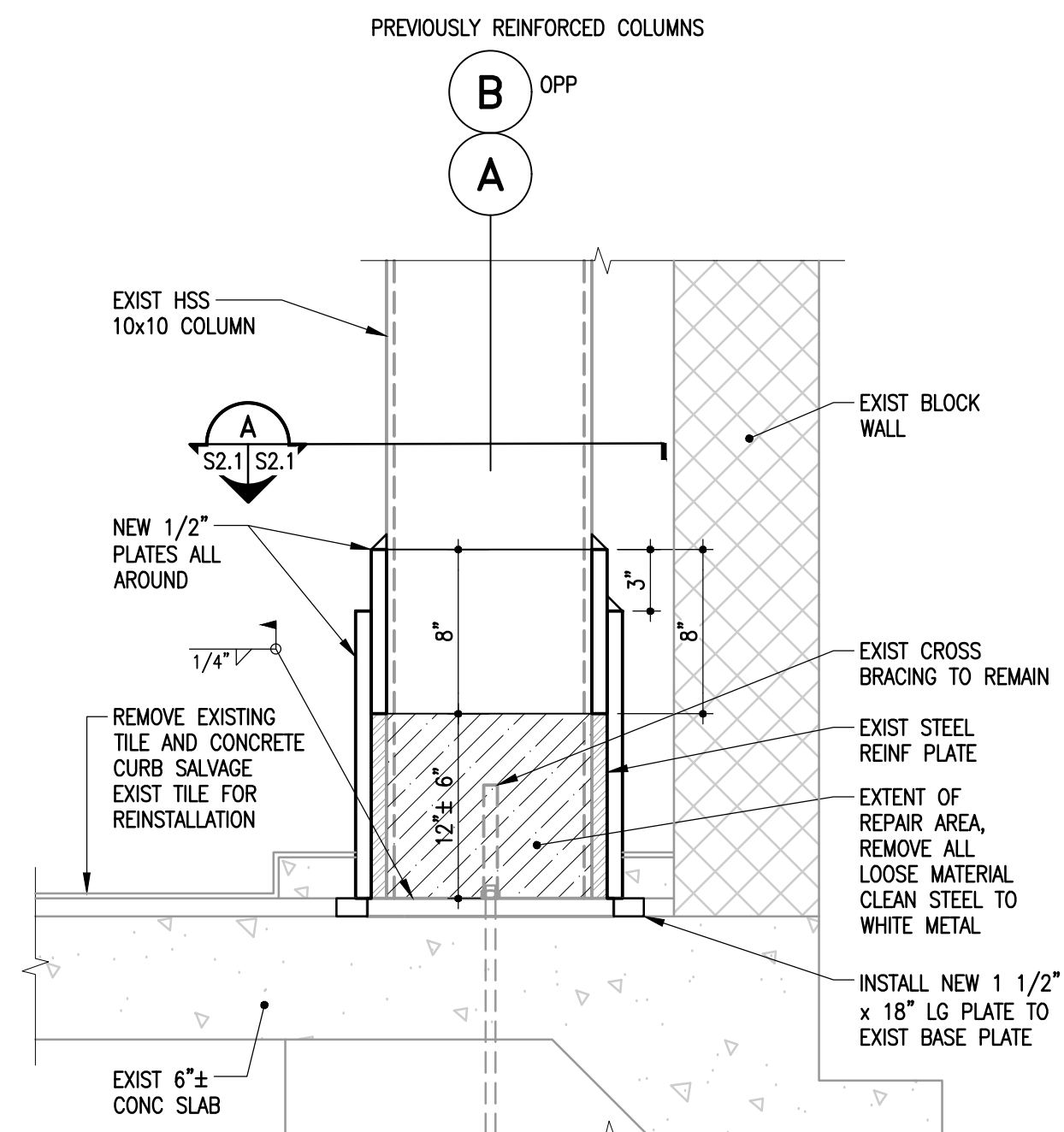
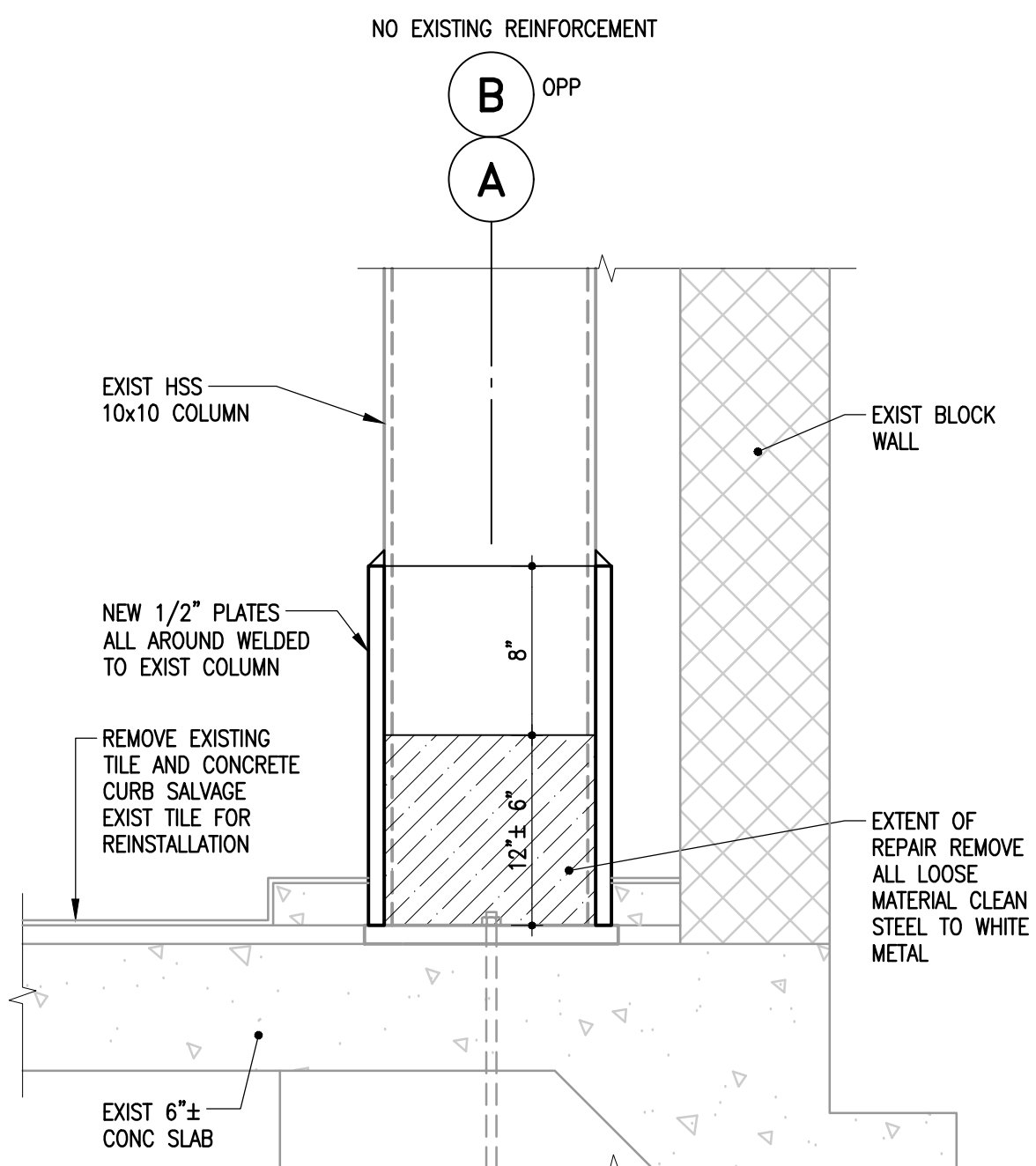


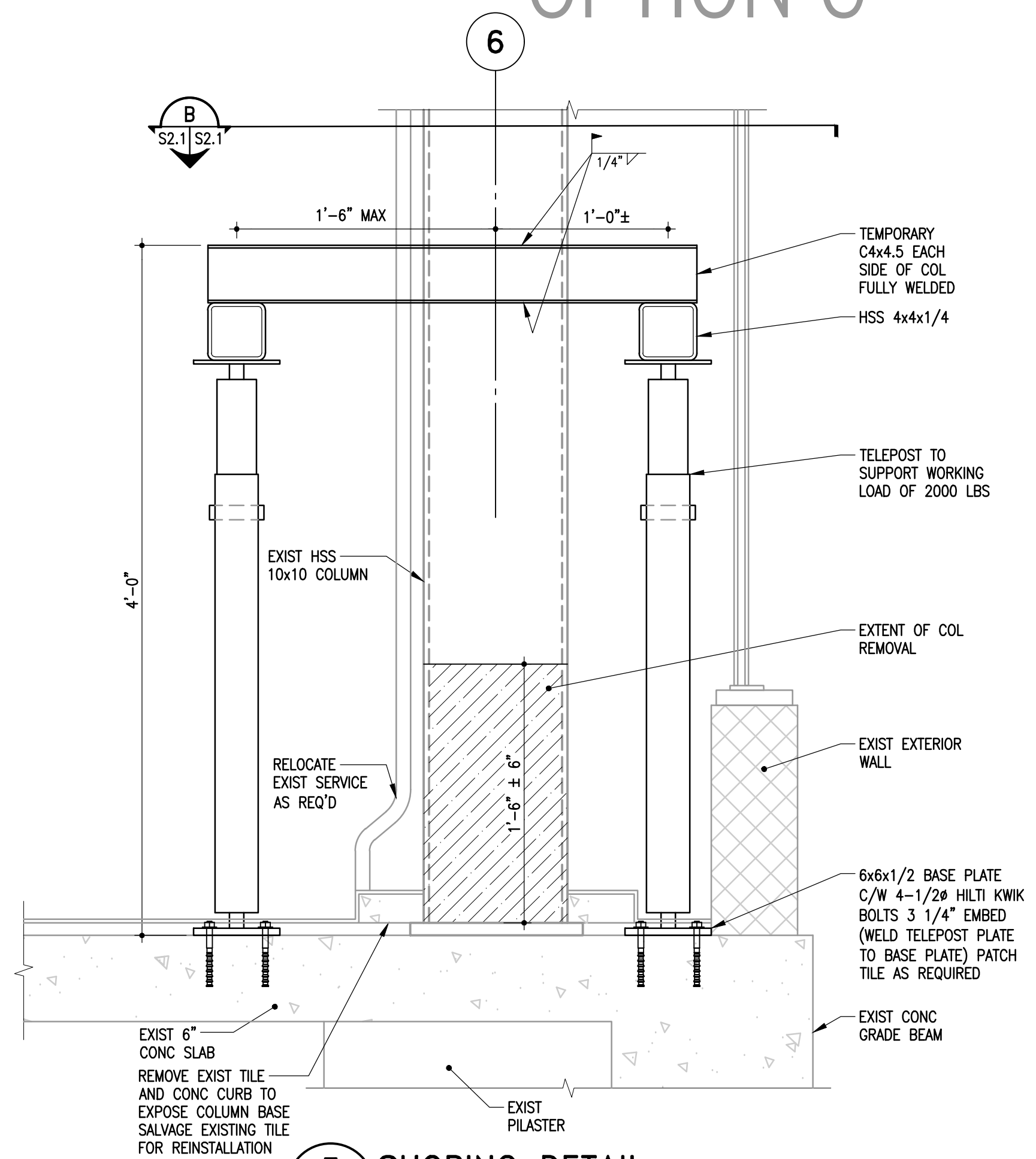
OPTION A



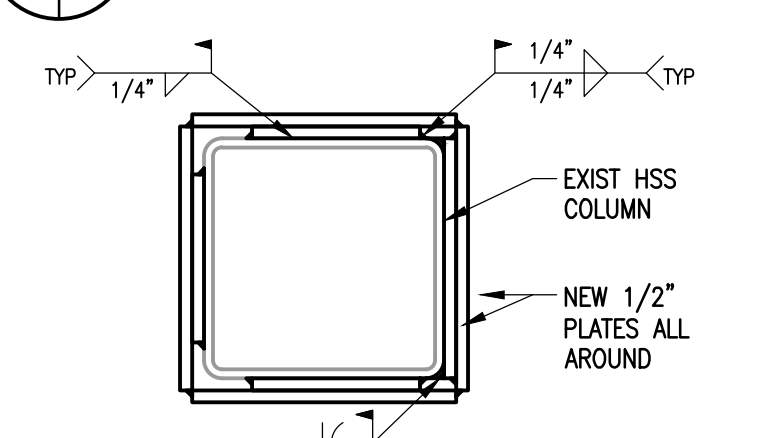
OPTION B



OPTION C



1 COLUMN REINFORCING AND REPAIR DETAIL
S1.1 S2.1 1 1/2" = 1'-0" UNIT PRICE PER COL

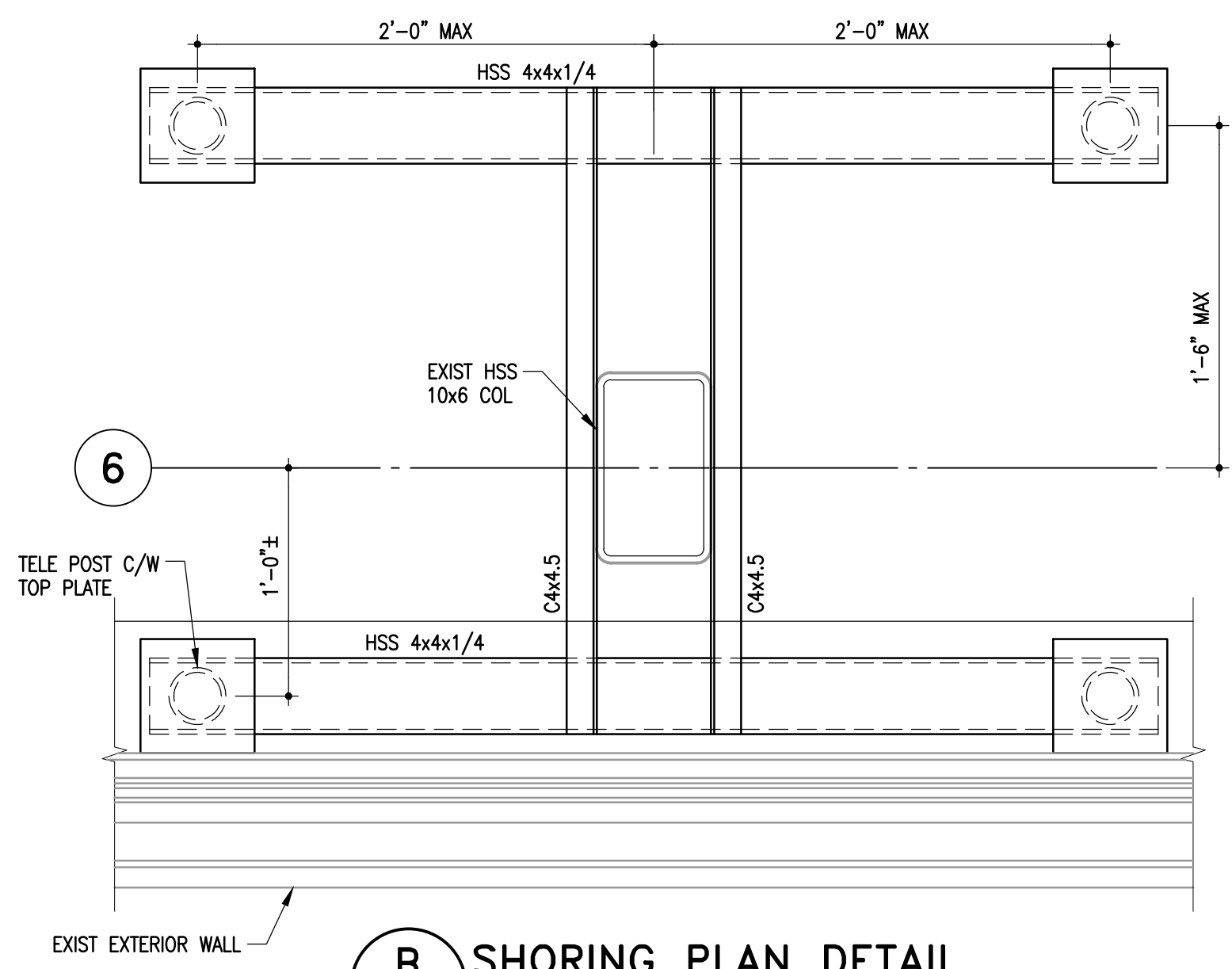


A REPAIR PLAN DETAIL
S2.1 S2.1 1 1/2" = 1'-0"

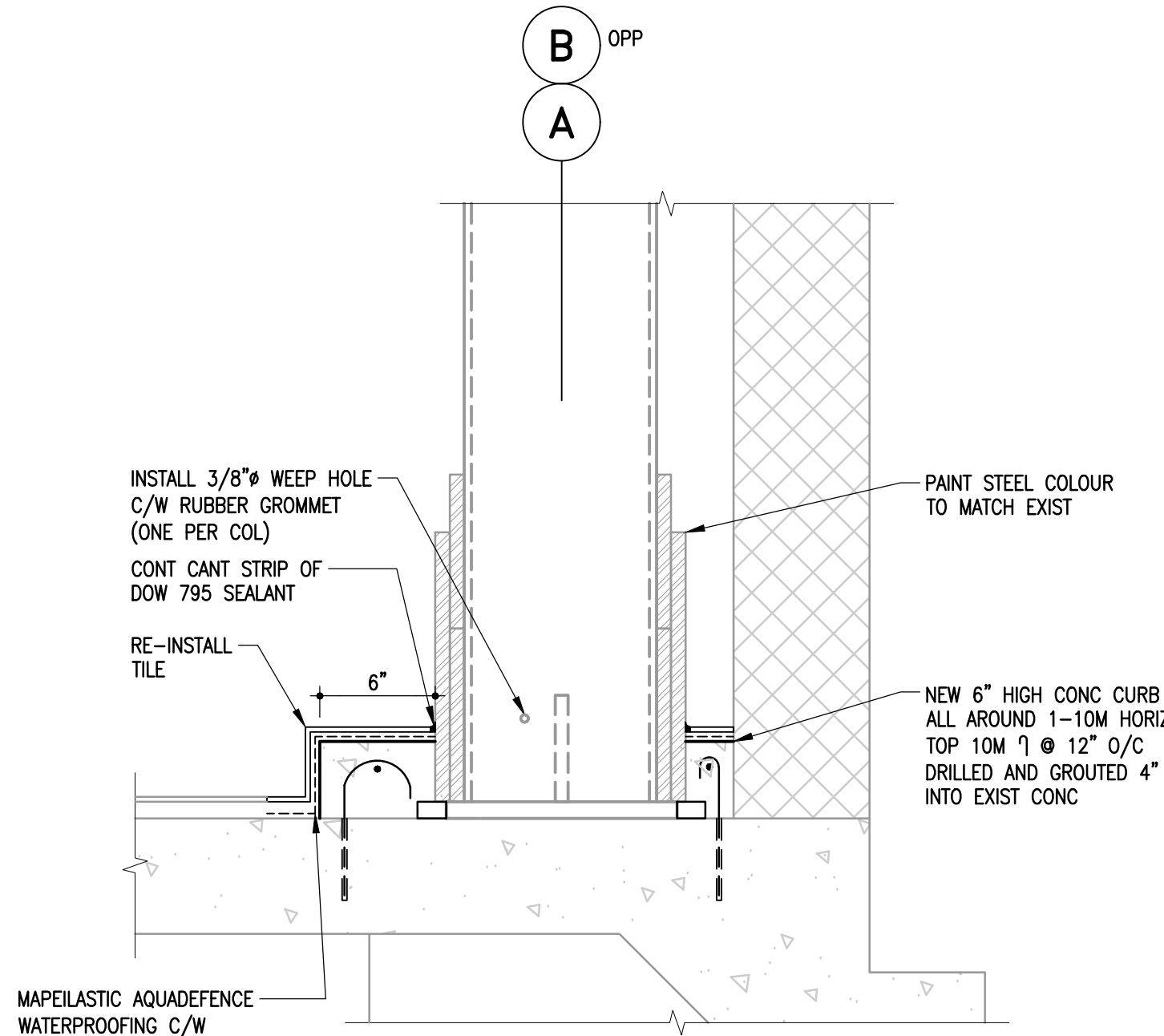
2 COLUMN REINFORCING AND REPAIR DETAIL
S1.1 S2.1 1 1/2" = 1'-0" UNIT PRICE PER COL

3 SHORING DETAIL
S1.1 S2.1 1 1/2" = 1'-0" UNIT PRICE PER COL

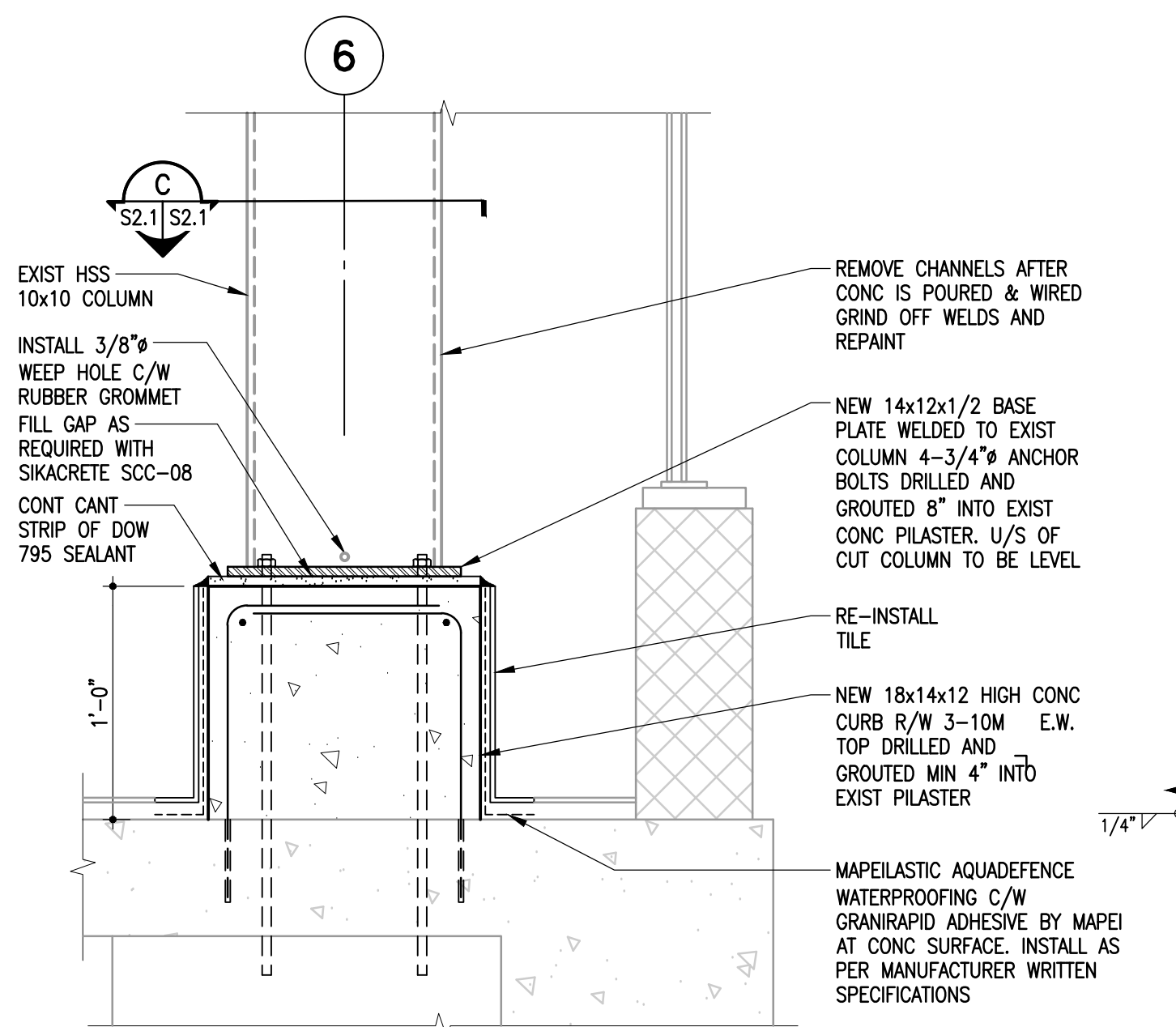
-SHORING TO REMAIN UNTIL NEW STEEL IS INSTALLED AND NEW CURB IS POURED AND CURED
-DO NOT REMOVE BASE OF STEEL COLUMN WITHOUT WRITTEN APPROVAL FROM CONTRACT ADMINISTRATOR



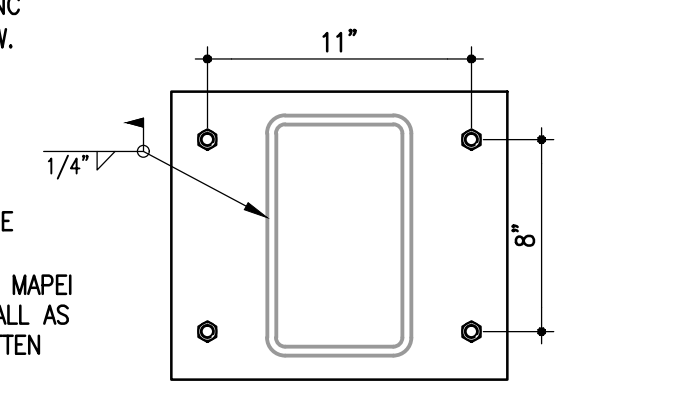
B SHORING PLAN DETAIL
S2.1 S2.1 1 1/2" = 1'-0"



4 CURB DETAIL - OPTION A & B
S2.1 S2.1 1 1/2" = 1'-0"



5 CURB DETAIL - OPTION C
S2.1 S2.1 1 1/2" = 1'-0"



C BASE PLATE PLAN
S2.1 S2.1 1 1/2" = 1'-0"

The General Contractor shall check & verify all dimensions and report any errors or omissions to the designers.

No.	Date	Issue/Revision	By
0	2018-06-15	ISSUED FOR BID OPPORTUNITY	SMC

NOTE:
PRELIMINARY DRAWING
DO NOT USE FOR CONSTRUCTION

Consultant

300-375 Carlton Street
Winnipeg, Manitoba R3C 5R6
T 204. 943. 7501
F 204. 943. 7507

Crosier Kilgour & Partners Ltd.
CONSULTING STRUCTURAL ENGINEERS

Project
ST. JAMES CENTENNIAL POOL
STEEL COLUMNS REPAIR

644 PARKDALE
WINNIPEG, MANITOBA

Sheet Title
SECTIONS AND TYPICAL REPAIR DETAILS

File	2018-0383	Date	2018-06-15
Design	SMC	Drawn	MAH

Revision	Sheet No.
0	S2.1