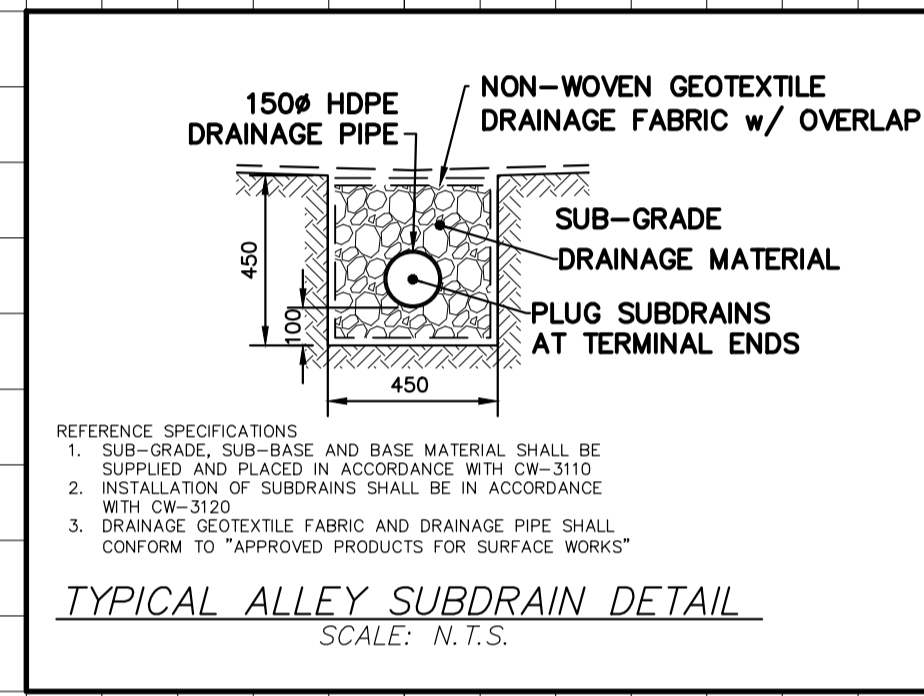
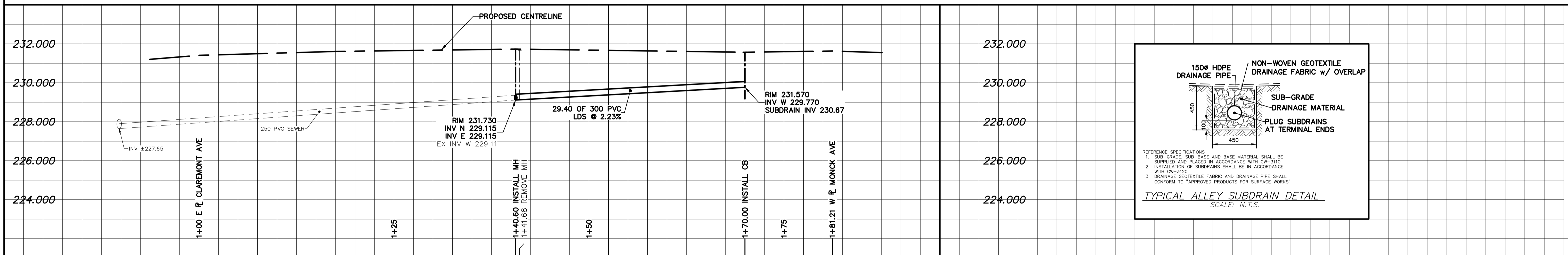


- NOTES:**
1. ALL WORK AND MATERIALS TO BE IN ACCORDANCE WITH THE LATEST REVISION OF THE CITY OF WINNIPEG STANDARD CONSTRUCTION SPECIFICATION.
 2. CONTRACTOR TO CONFIRM THE LOCATION OF ALL UTILITIES/SERVICES IN THE FIELD PRIOR TO CONSTRUCTION.
 3. CONTRACTOR TO AVOID DAMAGE TO EXISTING TREES WITHIN THE LIMITS OF THE ALLEY RIGHT OF WAY AS OUTLINED IN THE BID OPPORTUNITY.
 4. TREE AND SHRUB REMOVALS AS DIRECTED BY THE CONTRACT ADMINISTRATOR.
 5. HYDRO POLES AND ANCHORS REQUIRING TEMPORARY SUPPORT TO BE DONE AT THE EXPENSE OF THE CONTRACTOR AS REQUIRED.
 6. WHERE UNSTABLE SUB-GRADES ARE ENCOUNTERED, ADDITIONAL EXCAVATION/SUB-BASE AND INSTALLATION OF GEGRID TO BE DETERMINED BY THE CONTRACT ADMINISTRATOR AND CONSTRUCTED IN ACCORDANCE W/ CW-3110.
 7. ISOLATE EXISTING HYDRO POLES AS PER SD-228C.
 8. RENEW CURBS AND SIDEWALK AS DIRECTED BY THE CONTRACT ADMINISTRATOR.
 9. ALL EXISTING PRIVATE APPROACHES TO BE RENEWED AS DIRECTED BY THE CONTRACT ADMINISTRATOR.
 10. ADJUSTMENTS TO PROPOSED CROSSFALL, WHERE REQUIRED, ARE TO BE DETERMINED BY THE CONTRACT ADMINISTRATOR TO SUIT EXISTING DRIVEWAYS, APPROACHES, ETC.
 11. ALL BOULEVARD RESTORATION TO BE SODDED UNLESS OTHERWISE NOTED.
 12. REMOVE, ADJUST, AND SUPPLY PRECAST SIDEWALK BLOCKS AS DIRECTED BY THE CONTRACT ADMINISTRATOR.
 13. ALL LAND DRAINAGE SEWER EXCAVATIONS TO BE JETTED, FLOODED, AND TAMPED AS PER CW2030-R7.

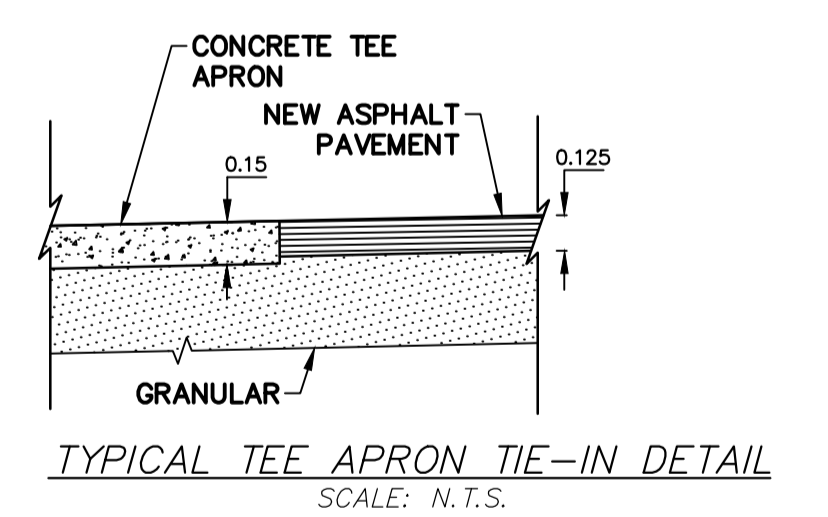
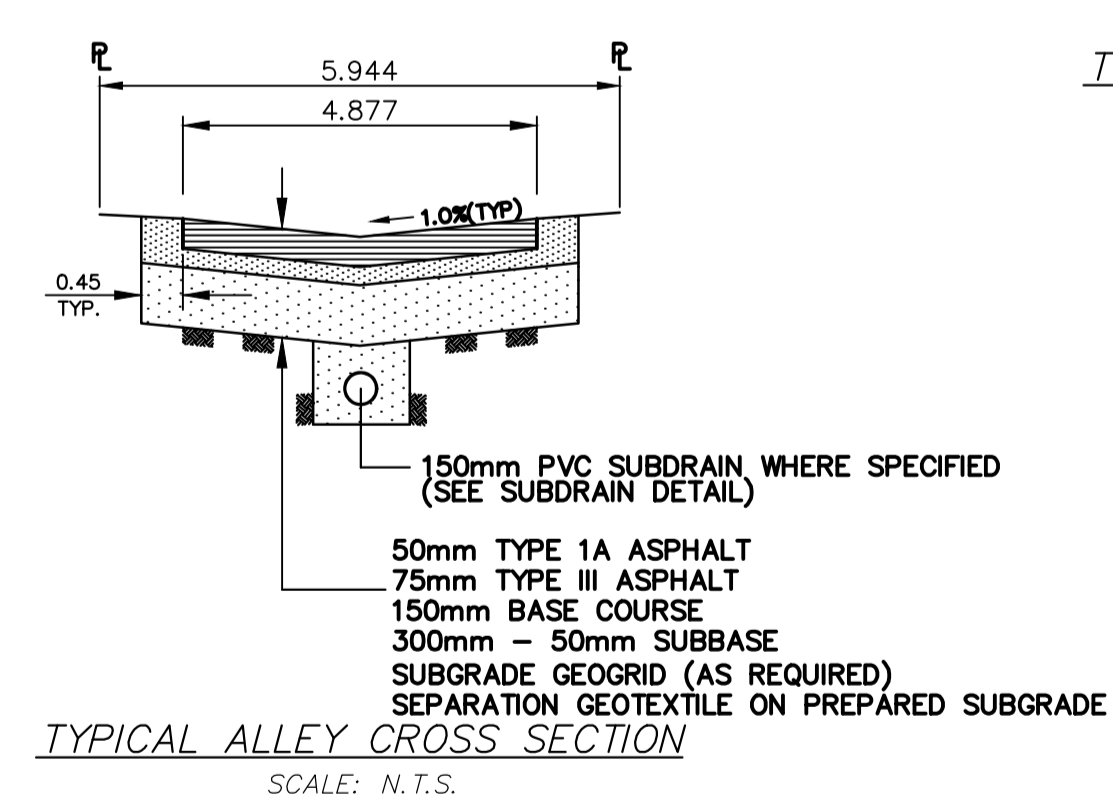
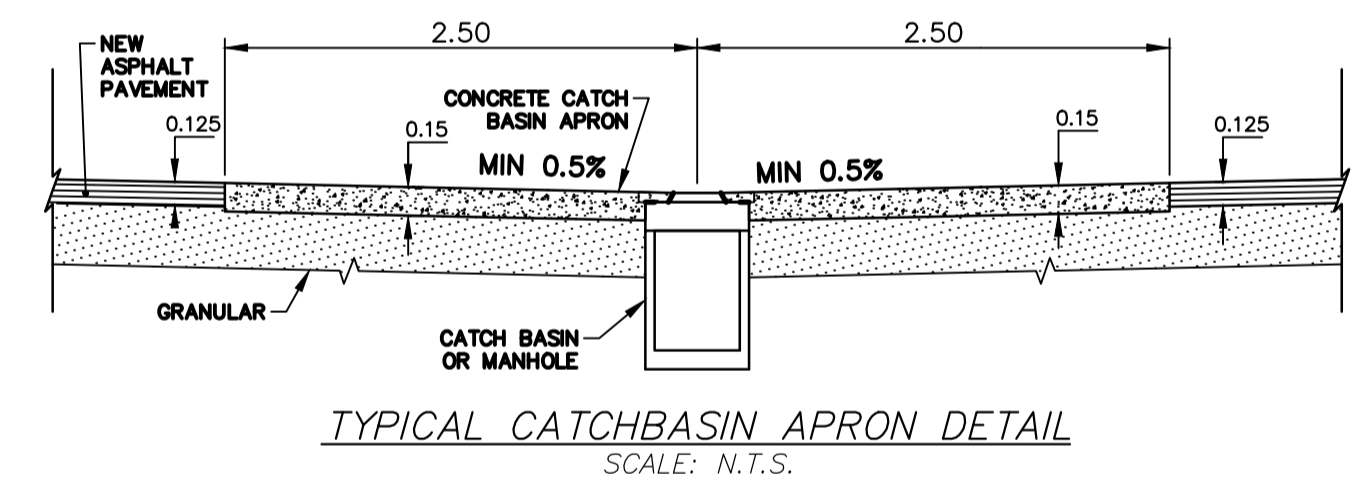
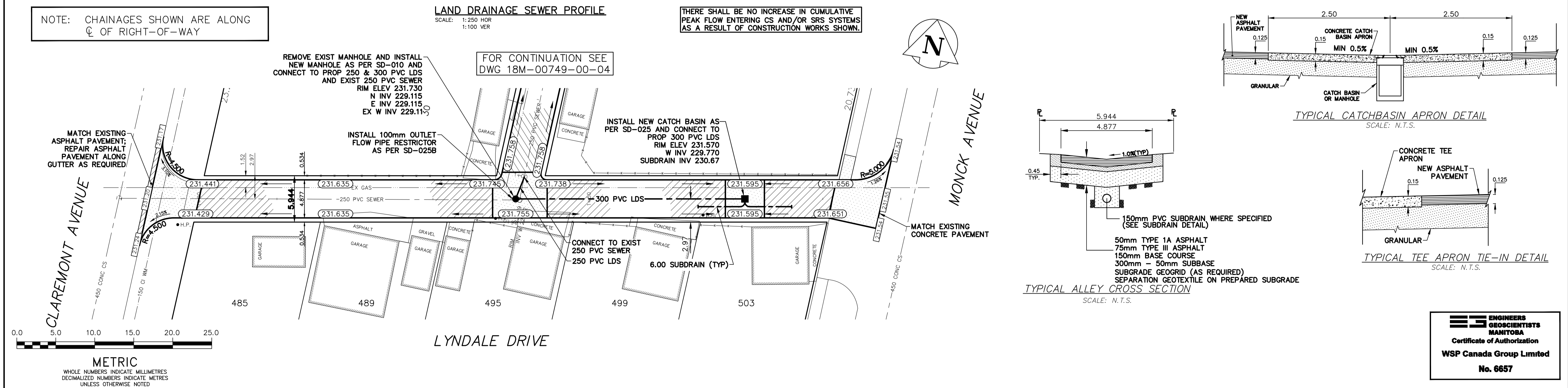
ALLEY PAVEMENT PROFILE
SCALE: 1:250 HOR
1:10 VER



LAND DRAINAGE SEWER PROFILE
SCALE: 1:250 HOR
1:100 VER

THERE SHALL BE NO INCREASE IN CUMULATIVE PEAK FLOW ENTERING CS AND/OR SRS SYSTEMS AS A RESULT OF CONSTRUCTION WORKS SHOWN.

NOTE: CHAINAGES SHOWN ARE ALONG C/L OF RIGHT-OF-WAY



METRIC
WHOLE NUMBERS INDICATE MILLIMETRES
DECIMALIZED NUMBERS INDICATE METRES
UNLESS OTHERWISE NOTED

<table border="1"> <tr><td>WATERMAIN</td><td>CONCRETE/ASPHALT</td></tr> <tr><td>HYDRANT</td><td>SIDEWALK</td></tr> <tr><td>VALVE</td><td>CURB RAMP</td></tr> <tr><td>CURB STOP</td><td>ELEVATIONS</td></tr> <tr><td>LAND DRAINAGE SEWER</td><td>PROPERTY LINE</td></tr> <tr><td>WASTE WATER SEWER</td><td>SURVEY BAR</td></tr> <tr><td>CB LEAD</td><td>HYDRO POLE</td></tr> <tr><td>MANHOLE</td><td>STREET LIGHT</td></tr> <tr><td>CATCH BASIN</td><td>JOINTS</td></tr> <tr><td>GAS</td><td>ASPHALT REPAIR</td></tr> <tr><td>HYDRO</td><td></td></tr> <tr><td>EXISTING</td><td>LEGEND - PLAN</td></tr> <tr><td>PROPOSED</td><td>PROPOSED</td></tr> </table>	WATERMAIN	CONCRETE/ASPHALT	HYDRANT	SIDEWALK	VALVE	CURB RAMP	CURB STOP	ELEVATIONS	LAND DRAINAGE SEWER	PROPERTY LINE	WASTE WATER SEWER	SURVEY BAR	CB LEAD	HYDRO POLE	MANHOLE	STREET LIGHT	CATCH BASIN	JOINTS	GAS	ASPHALT REPAIR	HYDRO		EXISTING	LEGEND - PLAN	PROPOSED	PROPOSED	<table border="1"> <tr><td>M.T.S.</td><td>150 MM</td></tr> <tr><td>CONCRETE/ASPHALT</td><td>VALVE</td></tr> <tr><td>SIDEWALK</td><td>LAND DRAINAGE SEWER</td></tr> <tr><td>CURB RAMP</td><td>WASTE WATER SEWER</td></tr> <tr><td>ELEVATIONS</td><td>CENTERLINE</td></tr> <tr><td>PROPERTY LINE</td><td>SOUTH & EAST GUTTER</td></tr> <tr><td>SURVEY BAR</td><td>NORTH & WEST GUTTER</td></tr> <tr><td>HYDRO POLE</td><td>S & E GARAGE PAD</td></tr> <tr><td>STREET LIGHT</td><td>N & W GARAGE PAD</td></tr> <tr><td>JOINTS</td><td></td></tr> <tr><td>ASPHALT REPAIR</td><td></td></tr> <tr><td>EXISTING</td><td>LEGEND - PROFILE</td></tr> <tr><td>PROPOSED</td><td>PROPOSED</td></tr> </table>	M.T.S.	150 MM	CONCRETE/ASPHALT	VALVE	SIDEWALK	LAND DRAINAGE SEWER	CURB RAMP	WASTE WATER SEWER	ELEVATIONS	CENTERLINE	PROPERTY LINE	SOUTH & EAST GUTTER	SURVEY BAR	NORTH & WEST GUTTER	HYDRO POLE	S & E GARAGE PAD	STREET LIGHT	N & W GARAGE PAD	JOINTS		ASPHALT REPAIR		EXISTING	LEGEND - PROFILE	PROPOSED	PROPOSED	<table border="1"> <tr><td>LOCATION APPROVED UNDERGROUND STRUCTURES</td><td>B.M. ELEV.</td></tr> <tr><td>SUPV. U/G STRUCTURES</td><td>DATE</td></tr> <tr><td>COMMITTEE</td><td></td></tr> <tr><td>NOTE:</td><td></td></tr> <tr><td>LOCATION OF UNDERGROUND STRUCTURES AS SHOWN ARE BASED ON THE BEST INFORMATION AVAILABLE BUT NO GUARANTEE IS GIVEN THAT ALL EXISTING UTILITIES ARE SHOWN OR THAT THE GIVEN LOCATIONS ARE EXACT. CONFIRMATION OF EXISTENCE AND EXACT LOCATION OF ALL SERVICES MUST BE OBTAINED FROM THE INDIVIDUAL UTILITIES BEFORE PROCEEDING WITH CONSTRUCTION.</td><td></td></tr> <tr><td>3</td><td>ISSUED FOR TENDER</td><td>18/07/16</td><td>M.B.S.</td></tr> <tr><td>2</td><td>UDS REVIEW</td><td>18/07/08</td><td>K.G.</td></tr> <tr><td>1</td><td>ISSUED FOR COW REVIEW</td><td>18/06/27</td><td>R.H.</td></tr> <tr><td>NO</td><td>REVISIONS</td><td>DATE</td><td>BY</td></tr> </table>	LOCATION APPROVED UNDERGROUND STRUCTURES	B.M. ELEV.	SUPV. U/G STRUCTURES	DATE	COMMITTEE		NOTE:		LOCATION OF UNDERGROUND STRUCTURES AS SHOWN ARE BASED ON THE BEST INFORMATION AVAILABLE BUT NO GUARANTEE IS GIVEN THAT ALL EXISTING UTILITIES ARE SHOWN OR THAT THE GIVEN LOCATIONS ARE EXACT. CONFIRMATION OF EXISTENCE AND EXACT LOCATION OF ALL SERVICES MUST BE OBTAINED FROM THE INDIVIDUAL UTILITIES BEFORE PROCEEDING WITH CONSTRUCTION.		3	ISSUED FOR TENDER	18/07/16	M.B.S.	2	UDS REVIEW	18/07/08	K.G.	1	ISSUED FOR COW REVIEW	18/06/27	R.H.	NO	REVISIONS	DATE	BY	<p>111-93 Lombard Avenue Winnipeg, Manitoba R3B 3B1 Canada Phone: 204-943-3178 Fax: 204-943-4948 wsp.com</p>	<p>NOT FOR CONSTRUCTION</p> <p>DESIGNED BY: R.H. CHECKED BY: K.G. DRAWN BY: R.H. APPROVED BY: S.M.</p> <p>HOR. SCALE: 1:250 VERT. SCALE: AS SHOWN</p> <p>RELEASED FOR CONSTRUCTION</p> <p>CONSULTANT DRAWING NO. 18M-00749-00-03</p>	<p>THE CITY OF WINNIPEG PUBLIC WORKS DEPARTMENT</p> <p>2018 LOCAL IMPROVEMENTS LYNDALE DR. ALLEY FROM CLAREMONT AVE. TO MONCK AVE.</p> <p>APSHALT RECONSTRUCTION</p>	<p>CITY DRAWING NO. LD-----</p> <p>SHEET 3 OF 12</p> <p>BID OPPORTUNITY 530-2018</p>
WATERMAIN	CONCRETE/ASPHALT																																																																																			
HYDRANT	SIDEWALK																																																																																			
VALVE	CURB RAMP																																																																																			
CURB STOP	ELEVATIONS																																																																																			
LAND DRAINAGE SEWER	PROPERTY LINE																																																																																			
WASTE WATER SEWER	SURVEY BAR																																																																																			
CB LEAD	HYDRO POLE																																																																																			
MANHOLE	STREET LIGHT																																																																																			
CATCH BASIN	JOINTS																																																																																			
GAS	ASPHALT REPAIR																																																																																			
HYDRO																																																																																				
EXISTING	LEGEND - PLAN																																																																																			
PROPOSED	PROPOSED																																																																																			
M.T.S.	150 MM																																																																																			
CONCRETE/ASPHALT	VALVE																																																																																			
SIDEWALK	LAND DRAINAGE SEWER																																																																																			
CURB RAMP	WASTE WATER SEWER																																																																																			
ELEVATIONS	CENTERLINE																																																																																			
PROPERTY LINE	SOUTH & EAST GUTTER																																																																																			
SURVEY BAR	NORTH & WEST GUTTER																																																																																			
HYDRO POLE	S & E GARAGE PAD																																																																																			
STREET LIGHT	N & W GARAGE PAD																																																																																			
JOINTS																																																																																				
ASPHALT REPAIR																																																																																				
EXISTING	LEGEND - PROFILE																																																																																			
PROPOSED	PROPOSED																																																																																			
LOCATION APPROVED UNDERGROUND STRUCTURES	B.M. ELEV.																																																																																			
SUPV. U/G STRUCTURES	DATE																																																																																			
COMMITTEE																																																																																				
NOTE:																																																																																				
LOCATION OF UNDERGROUND STRUCTURES AS SHOWN ARE BASED ON THE BEST INFORMATION AVAILABLE BUT NO GUARANTEE IS GIVEN THAT ALL EXISTING UTILITIES ARE SHOWN OR THAT THE GIVEN LOCATIONS ARE EXACT. CONFIRMATION OF EXISTENCE AND EXACT LOCATION OF ALL SERVICES MUST BE OBTAINED FROM THE INDIVIDUAL UTILITIES BEFORE PROCEEDING WITH CONSTRUCTION.																																																																																				
3	ISSUED FOR TENDER	18/07/16	M.B.S.																																																																																	
2	UDS REVIEW	18/07/08	K.G.																																																																																	
1	ISSUED FOR COW REVIEW	18/06/27	R.H.																																																																																	
NO	REVISIONS	DATE	BY																																																																																	

**ENGINEERS
GEO-SCIENTISTS
MANITOBA**
Certificate of Authorization
WSP Canada Group Limited
No. 6657