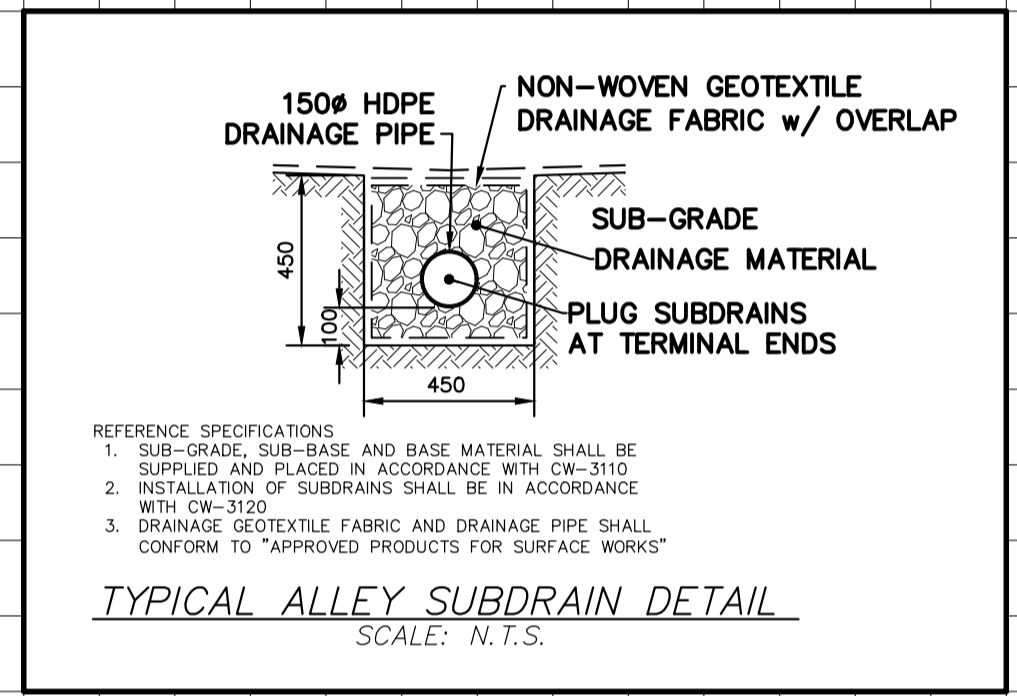
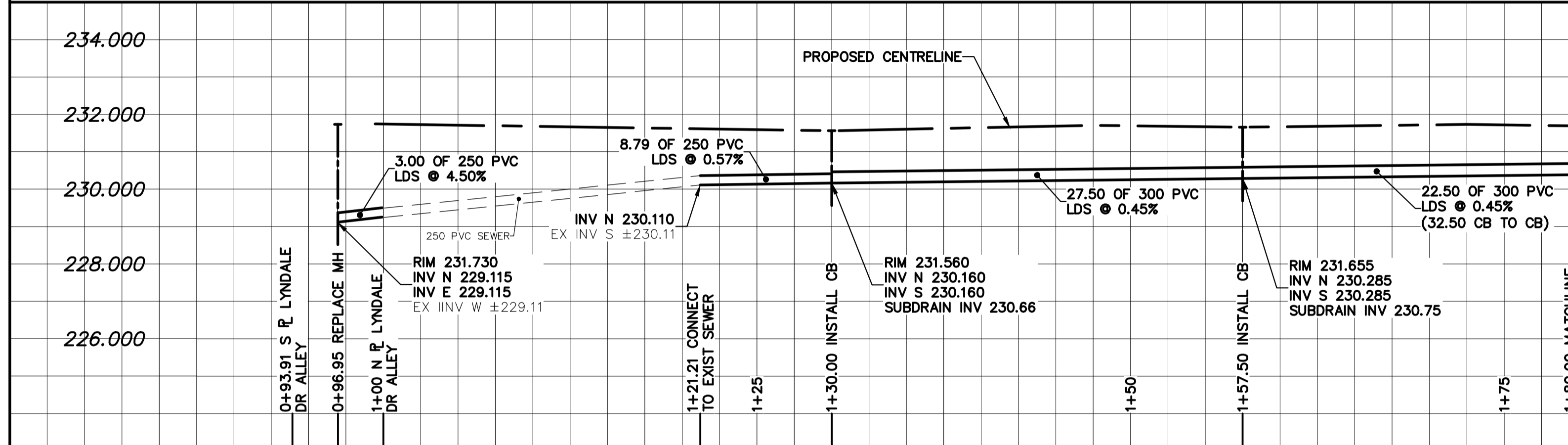


NOTES:

1. ALL WORK AND MATERIALS TO BE IN ACCORDANCE WITH THE LATEST REVISION OF THE CITY OF WINNIPEG STANDARD CONSTRUCTION SPECIFICATION.
2. CONTRACTOR TO CONFIRM THE LOCATION OF ALL UTILITIES/SERVICES IN THE FIELD PRIOR TO CONSTRUCTION.
3. CONTRACTOR TO AVOID DAMAGE TO EXISTING TREES WITHIN THE LIMITS OF THE ALLEY RIGHT OF WAY AS OUTLINED IN THE BID OPPORTUNITY.
4. TREE AND SHRUB REMOVALS AS DIRECTED BY THE CONTRACT ADMINISTRATOR.
5. HYDRO POLES AND ANCHORS REQUIRING TEMPORARY SUPPORT TO BE DONE AT THE EXPENSE OF THE CONTRACTOR AS REQUIRED.
6. WHERE UNSTABLE SUB-GRADES ARE ENCOUNTERED, ADDITIONAL EXCAVATION/SUB-BASE AND INSTALLATION OF GEOTGRID TO BE DETERMINED BY THE CONTRACT ADMINISTRATOR AND CONSTRUCTED IN ACCORDANCE W/ CW-3110.
7. ISOLATE EXISTING HYDRO POLES AS PER SD-228C.
8. RENEW CURB AND SIDEWALK AS DIRECTED BY THE CONTRACT ADMINISTRATOR.
9. ALL EXISTING PRIVATE APPROACHES TO BE RENEWED AS DIRECTED BY THE CONTRACT ADMINISTRATOR.
10. ADJUSTMENTS TO PROPOSED CROSSFALL, WHERE REQUIRED, ARE TO BE DETERMINED BY THE CONTRACT ADMINISTRATOR TO SUIT EXISTING DRIVEWAYS, APPROACHES, ETC.
11. ALL BOULEVARD RESTORATION TO BE SODDED UNLESS OTHERWISE NOTED.
12. REMOVE, ADJUST, AND SUPPLY PRECAST SIDEWALK BLOCKS AS DIRECTED BY THE CONTRACT ADMINISTRATOR.
13. ALL LAND DRAINAGE SEWER EXCAVATIONS TO BE JETTED, FLOODED, AND TAMPED AS PER CW2030-R7.

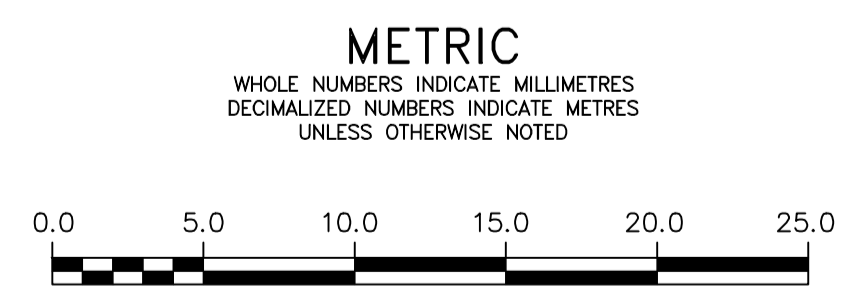
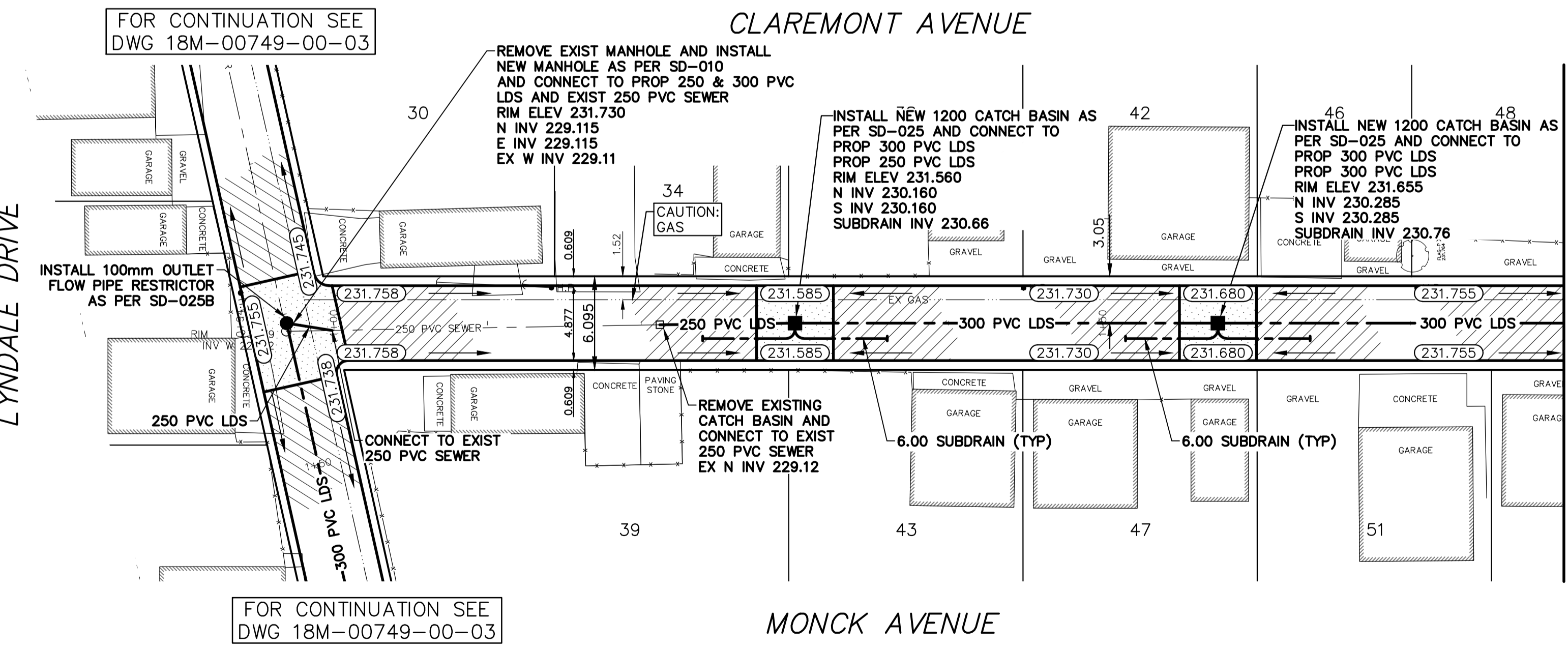
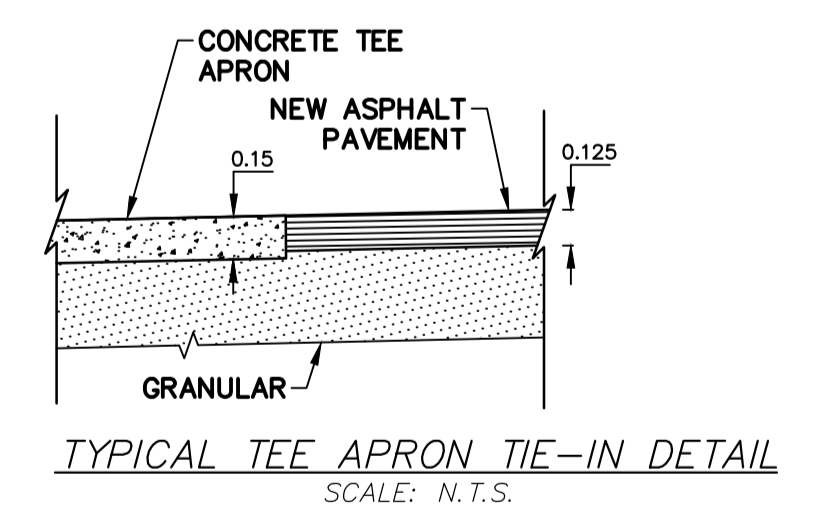
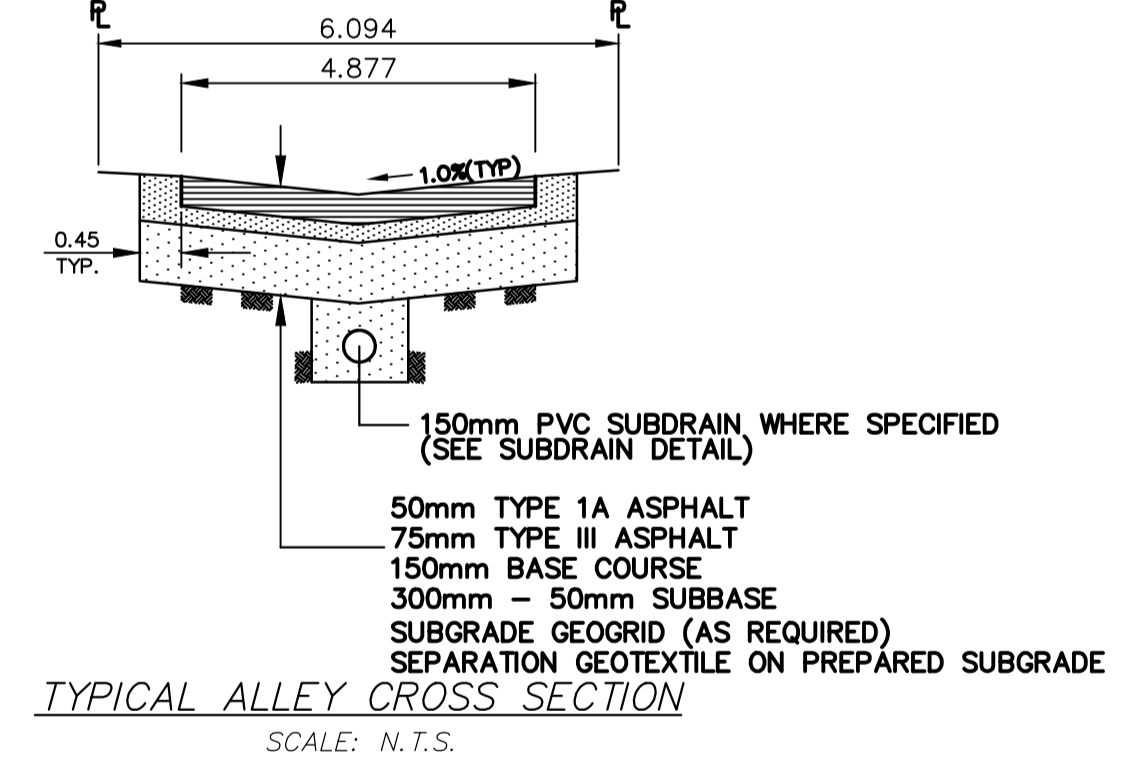
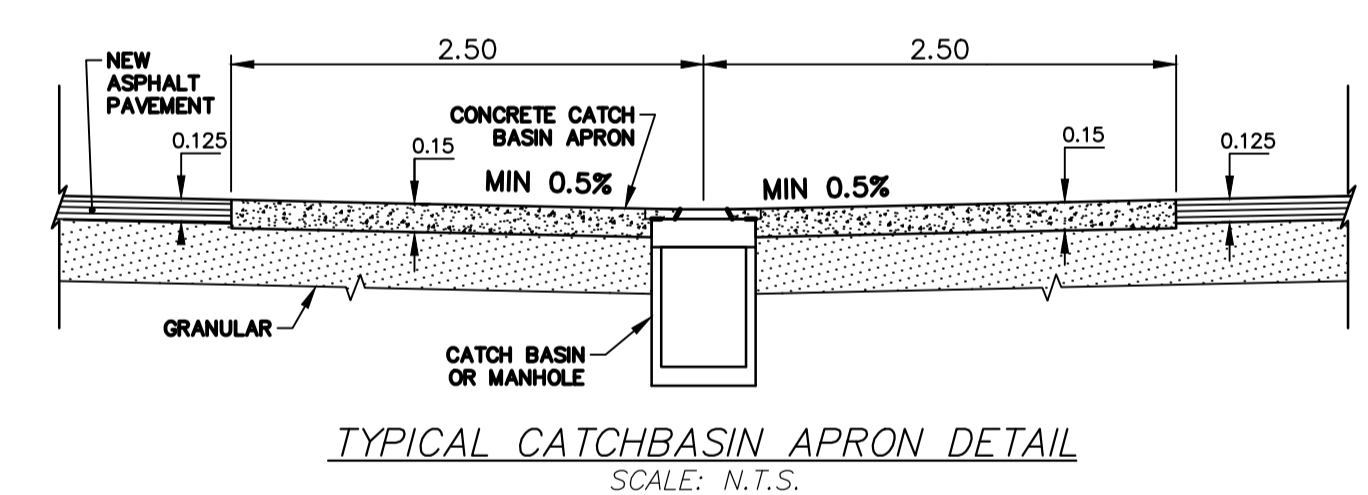
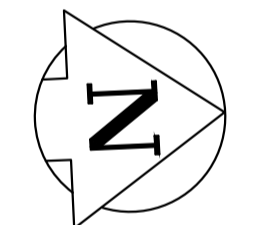
ALLEY PAVEMENT PROFILE
SCALE: 1:250 HOR
1:10 VER



NOTE: CHAINAGES SHOWN ARE ALONG CL OF RIGHT-OF-WAY

LAND DRAINAGE SEWER PROFILE
SCALE: 1:250 HOR
1:100 VER

THERE SHALL BE NO INCREASE IN CUMULATIVE PEAK FLOW ENTERING CS AND/OR SRS SYSTEMS AS A RESULT OF CONSTRUCTION WORKS SHOWN.



ENGINEERS GEOSCIENTISTS MANITOBA
Certificate of Authorization
WSP Canada Group Limited
No. 6657

| WATERMAIN | | M.T.S. | | WATERMAIN | | LOCATION APPROVED UNDERGROUND STRUCTURES | |
|---------------------|------------------|----------|------------------|------------------|---------------------|--|------------------|
| HYDRANT | CONCRETE/ASPHALT | 150 WM | CONCRETE/ASPHALT | 150 WM | VALVE | B.M. ELEV. | |
| VALVE | SIDEWALK | 300 LDS | SIDEWALK | 300 LDS | LAND DRAINAGE SEWER | | |
| CURB STOP | CURB RAMP | 250 WWS | CURB RAMP | 250 WWS | WASTE WATER SEWER | | |
| LAND DRAINAGE SEWER | ELEVATIONS | (232.00) | ELEVATIONS | (232.000) | CENTERLINE | | |
| WASTE WATER SEWER | PROPERTY LINE | | PROPERTY LINE | | SOUTH & EAST GUTTER | | |
| CB LEAD | SURVEY BAR | | SURVEY BAR | | NORTH & WEST GUTTER | | |
| MANHOLE | HYDRO POLE | | HYDRO POLE | | S & E GARAGE PAD | | |
| CATCH BASIN | STREET LIGHT | | STREET LIGHT | | N & W GARAGE PAD | | |
| GAS | JOINTS | | JOINTS | | | | |
| HYDRO | ASPHALT REPAIR | | ASPHALT REPAIR | | | | |
| EXISTING | LEGEND - PLAN | PROPOSED | EXISTING | LEGEND - PLAN | PROPOSED | EXISTING | LEGEND - PROFILE |
| | LEGEND - PLAN | PROPOSED | EXISTING | LEGEND - PROFILE | PROPOSED | | |

111-93 Lombard Avenue
Winnipeg, Manitoba
R3B 3B1 Canada
Phone: 204-943-3178
Fax: 204-943-4948
wsp.com

DESIGNED BY: R.H.
CHECKED BY: K.G.
DRAWN BY: R.H.
APPROVED BY: S.M.
HOR. SCALE: 1:250
VERT. SCALE: AS SHOWN
MAY 2018

NOT FOR CONSTRUCTION

CONSULTANT DRAWING NO.
18M-00749-00-04

THE CITY OF WINNIPEG
PUBLIC WORKS DEPARTMENT

2018 LOCAL IMPROVEMENTS
CLAREMONT AVE./MONCK AVE. ALLEY
FROM LYNDALE DR. ALLEY TO STA. AT 1+80

CITY DRAWING NO.
LD-0000

SHEET 4 OF 12

BID OPPORTUNITY
530-2018