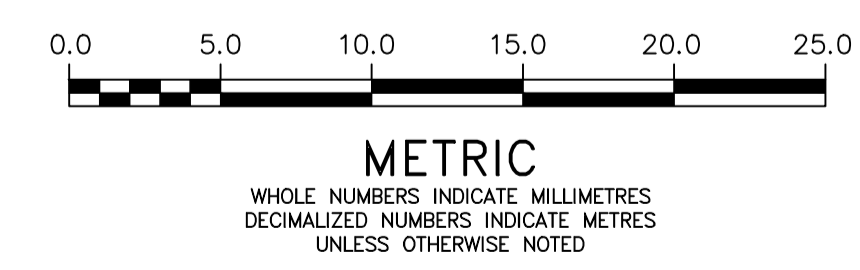
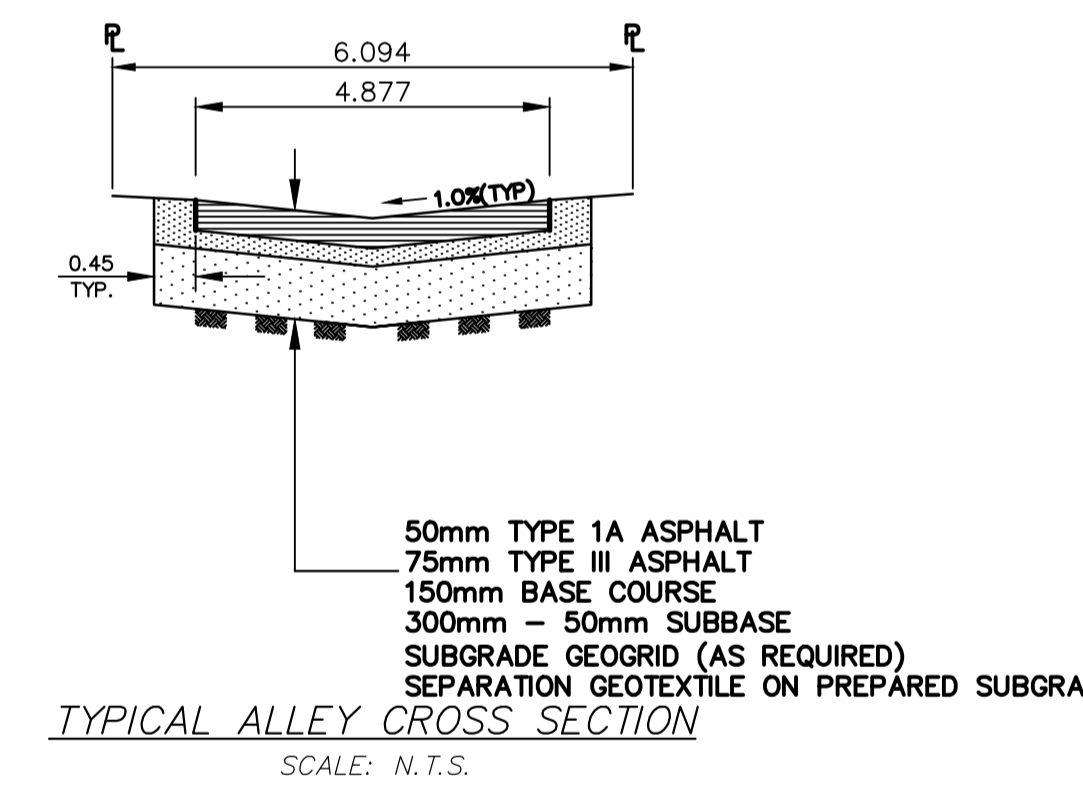
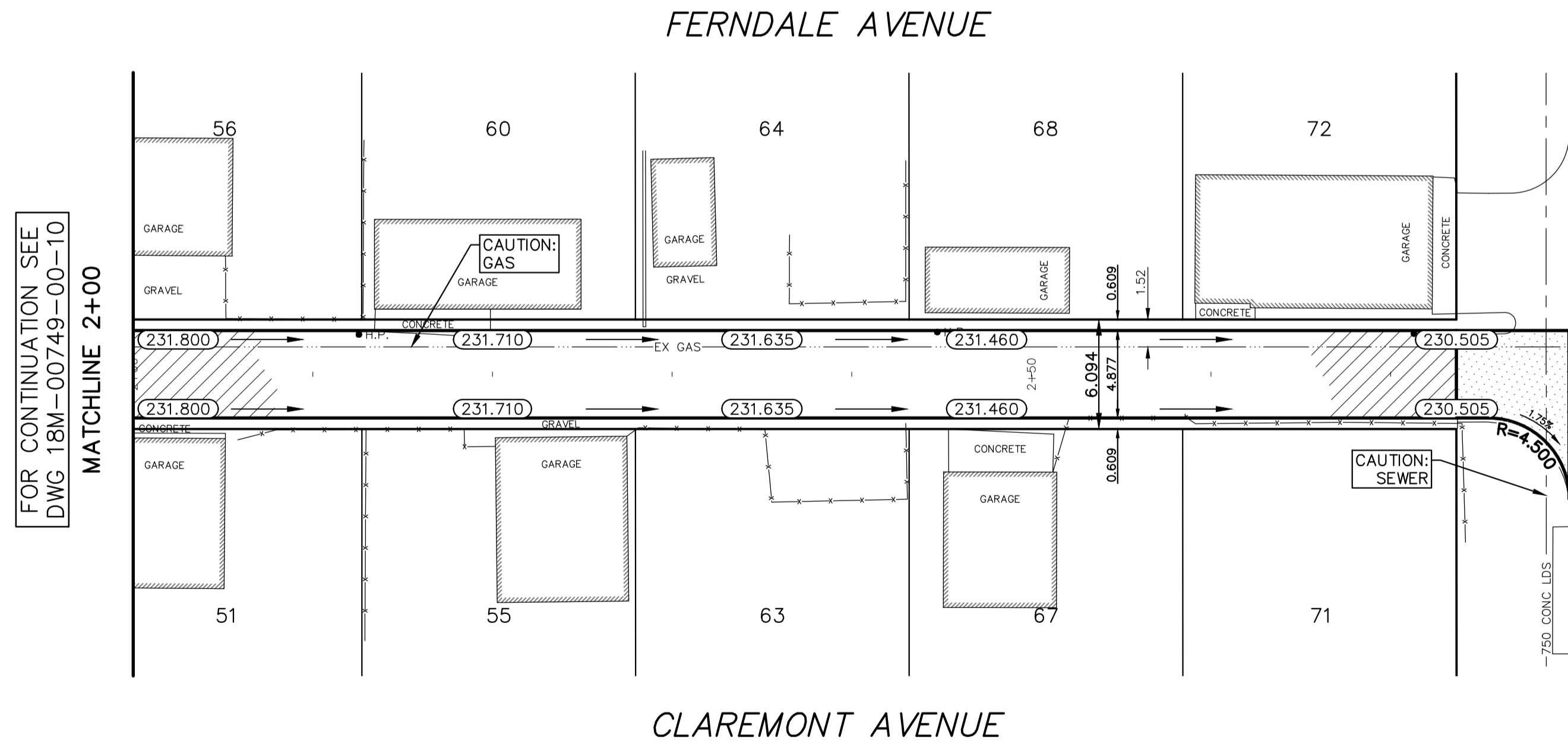
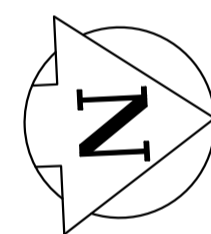


- NOTES:**
1. ALL WORK AND MATERIALS TO BE IN ACCORDANCE WITH THE LATEST REVISION OF THE CITY OF WINNIPEG STANDARD CONSTRUCTION SPECIFICATION.
 2. CONTRACTOR TO CONFIRM THE LOCATION OF ALL UTILITIES/SERVICES IN THE FIELD PRIOR TO CONSTRUCTION.
 3. CONTRACTOR TO AVOID DAMAGE TO EXISTING TREES WITHIN THE LIMITS OF THE ALLEY RIGHT OF WAY AS OUTLINED IN THE BID OPPORTUNITY.
 4. TREE AND SHRUB REMOVALS AS DIRECTED BY THE CONTRACT ADMINISTRATOR.
 5. HYDRO POLES AND ANCHORS REQUIRING TEMPORARY SUPPORT TO BE DONE AT THE EXPENSE OF THE CONTRACTOR AS REQUIRED.
 6. WHERE UNSTABLE SUB-GRADES ARE ENCOUNTERED, ADDITIONAL EXCAVATION/SUB-BASE AND INSTALLATION OF GEOGRID TO BE DETERMINED BY THE CONTRACT ADMINISTRATOR AND CONSTRUCTED IN ACCORDANCE W/ CW-3110.
 7. ISOLATE EXISTING HYDRO POLES AS PER SD-228C.
 8. RENEW CURB AND SIDEWALK AS DIRECTED BY THE CONTRACT ADMINISTRATOR.
 9. ALL EXISTING PRIVATE APPROACHES TO BE RENEWED AS DIRECTED BY THE CONTRACT ADMINISTRATOR.
 10. ADJUSTMENTS TO PROPOSED CROSSFALL, WHERE REQUIRED, ARE TO BE DETERMINED BY THE CONTRACT ADMINISTRATOR TO SUIT EXISTING DRIVEWAYS, APPROACHES, ETC.
 11. ALL BOULEVARD RESTORATION TO BE SODDED UNLESS OTHERWISE NOTED.
 12. REMOVE, ADJUST, AND SUPPLY PRECAST SIDEWALK BLOCKS AS DIRECTED BY THE CONTRACT ADMINISTRATOR.
 13. ALL LAND DRAINAGE SEWER EXCAVATIONS TO BE JETTED, FLOODED, AND TAMPED AS PER CW2030-R7.

ALLEY PAVEMENT PROFILE

SCALE: 1:250 HOR
1:10 VERT

NOTE: CHAINAGES SHOWN ARE ALONG
☉ OF RIGHT-OF-WAY



**ENGINEERS
GEO-SCIENTISTS
MANITOBA**
Certificate of Authorization
WSP Canada Group Limited
No. 6657

WATERMAIN	HYDRANT	VALVE	CURB STOP	LAND DRAINAGE SEWER	WASTE WATER SEWER	CB LEAD	MANHOLE	CATCH BASIN	GAS	HYDRO	EXISTING	LEGEND - PLAN	PROPOSED	EXISTING	LEGEND - PLAN	PROPOSED	EXISTING	LEGEND - PROFILE	PROPOSED

LOCATION APPROVED UNDERGROUND STRUCTURES	SUPPLY, U/G STRUCTURES DATE COMMITTEE	DATE
NOTE: LOCATION OF UNDERGROUND STRUCTURES AS SHOWN ARE BASED ON THE BEST INFORMATION AVAILABLE BUT NO GUARANTEE IS GIVEN THAT ALL EXISTING UTILITIES ARE SHOWN OR THAT THE GIVEN LOCATIONS ARE EXACT. CONFIRMATION OF EXISTENCE AND EXACT LOCATION OF ALL SERVICES MUST BE OBTAINED FROM THE INDIVIDUAL UTILITIES BEFORE PROCEEDING WITH CONSTRUCTION.		

B.M. ELEV.	NO.	REVISIONS	DATE	BY
---	---	---	---	---
---	---	---	---	---
---	---	---	---	---
---	---	---	---	---
---	---	---	---	---
---	---	---	---	---
---	---	---	---	---
---	---	---	---	---
---	---	---	---	---
---	---	---	---	---

wsp
111-93 Lombard Avenue
Winnipeg, Manitoba
R3B 3B1 Canada
Phone: 204-943-3178
Fax: 204-943-4948
wsp.com

DESIGNED BY: R.H.
CHECKED BY: K.G.
DRAWN BY: R.H.
APPROVED BY: S.M.
HOR. SCALE: 1:250
VERT. SCALE: AS SHOWN
MAY 2018

**NOT FOR
CONSTRUCTION**

CONSULTANT DRAWING NO.
18M-00749-00 -11

**THE CITY OF WINNIPEG
PUBLIC WORKS DEPARTMENT**

2018 LOCAL IMPROVEMENTS
FERNDAL AV./CLAREMONT AV. ALLEY
FROM STA. AT 2+00 TO CONISTON ST.

APSHALT RECONSTRUCTION

CITY DRAWING NO.
LD-----
SHEET 11 OF 12
BID OPPORTUNITY
530-2018