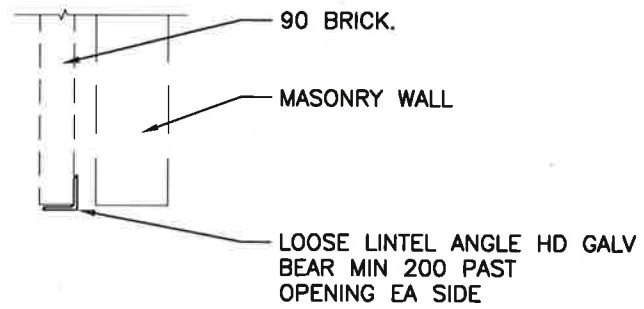
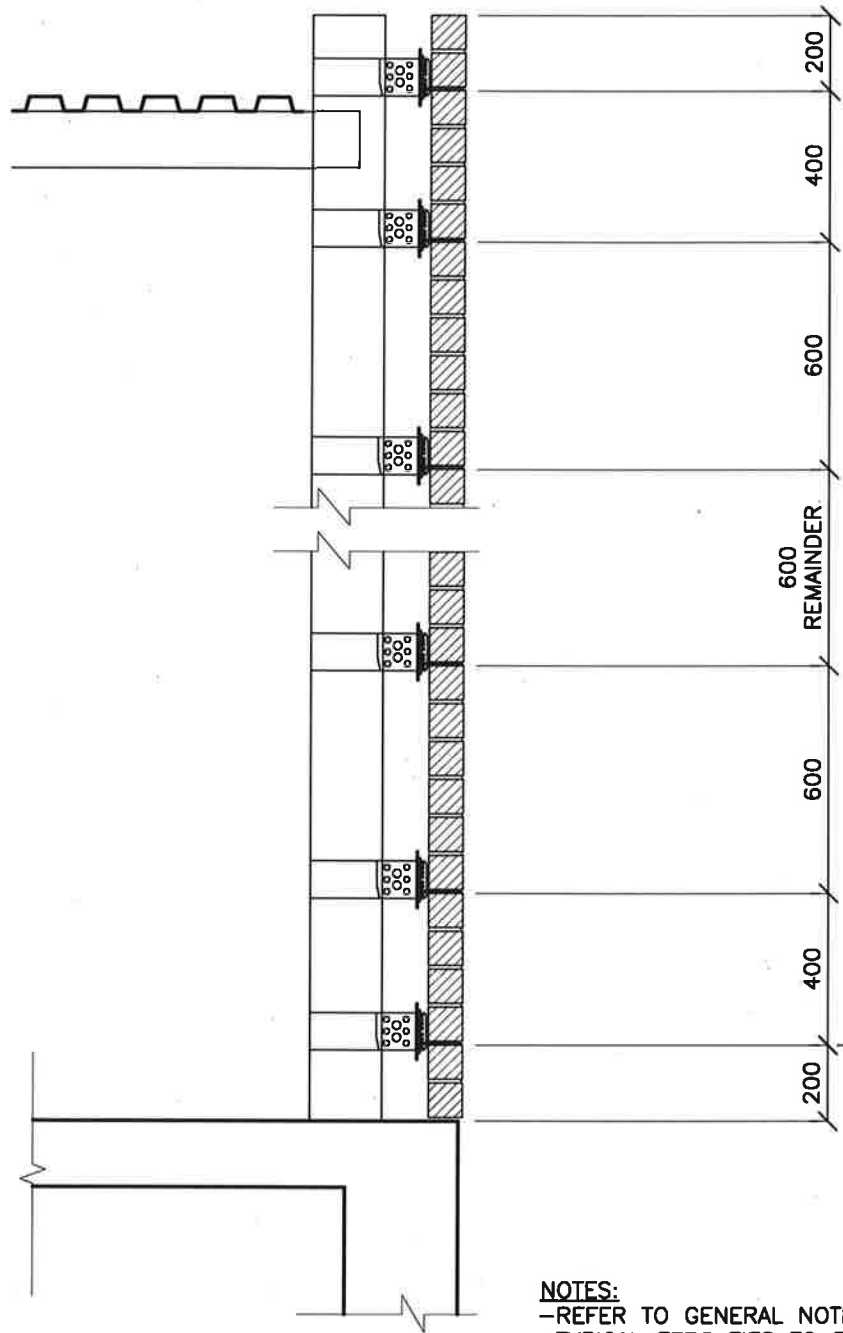
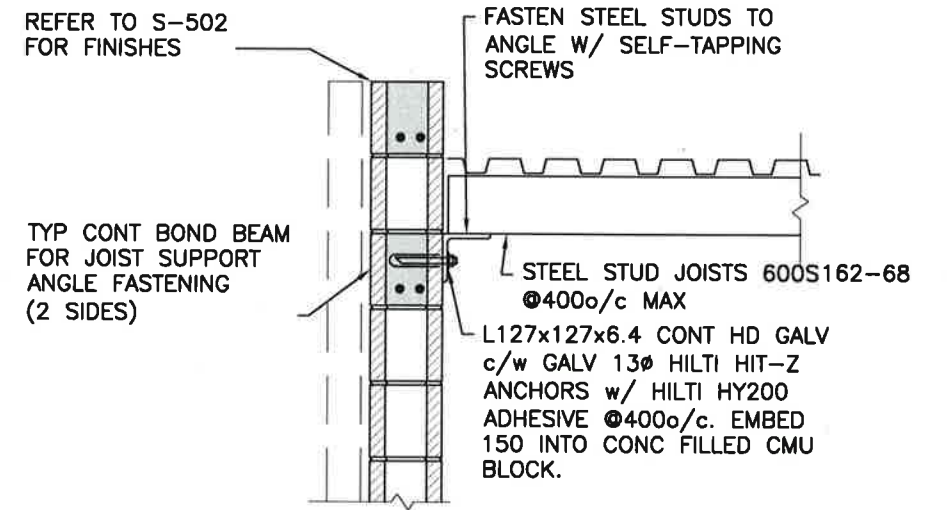


U:\1154\active\11541801\5\0300_drawing\0302_sheet_files\03_structural\18015_S-101.dwg S-101
2018/05/07 4:10 PM By: Rossangel, km

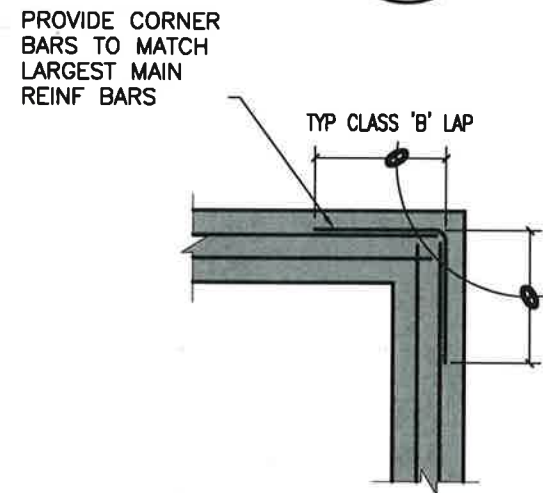


ANGLE SIZE	MAX OPENING WIDTH
L102x102x9.5	1000



B TYP LOOSE ANGLE LINTEL DETAILS
S-302 1:20

C SECTION
S-302 1:20



D TYP GRADE BEAM CORNER BAR DETAILS
S-302 1:20

NOTES:
 -REFER TO GENERAL NOTES FOR HORIZ SPACING
 -TYPICAL FERRO TIES TO BE SHEAR CONNECTORS UNLESS NOTED
 -FERRO TIES TO BE STAINLESS STEEL

A TYP FERRO TIE DETAIL
S-302 1:20

ORIGINAL SHEET - ISO 11x17 - v17.05

2018-05-07
115418015



Stantec Consulting Ltd.
 Suite 500, 311 Portage Avenue
 Winnipeg MB Canada R3B 2B9
 Tel. 204.489.5900 Fax. 204.453.9012
 www.stantec.com



Certificate of Authorization
 Stantec Consulting Ltd.
 No. 1301



E			
D			
C			
B			
A	ISSUED FOR CONSTRUCTION	IR	BF 2018.05.07
Issued		By	Appd. YY.MM.DD

Client/Project
 CITY OF WINNIPEG PLANNING, PROPERTY & DEVELOPMENT
 GORD DONG PARK REDEVELOPMENT
 Winnipeg, Manitoba

Figure No.
 S-302

Title
 SECTIONS AND DETAILS
 FOR COMMUNITY OVEN ENCLOSURE