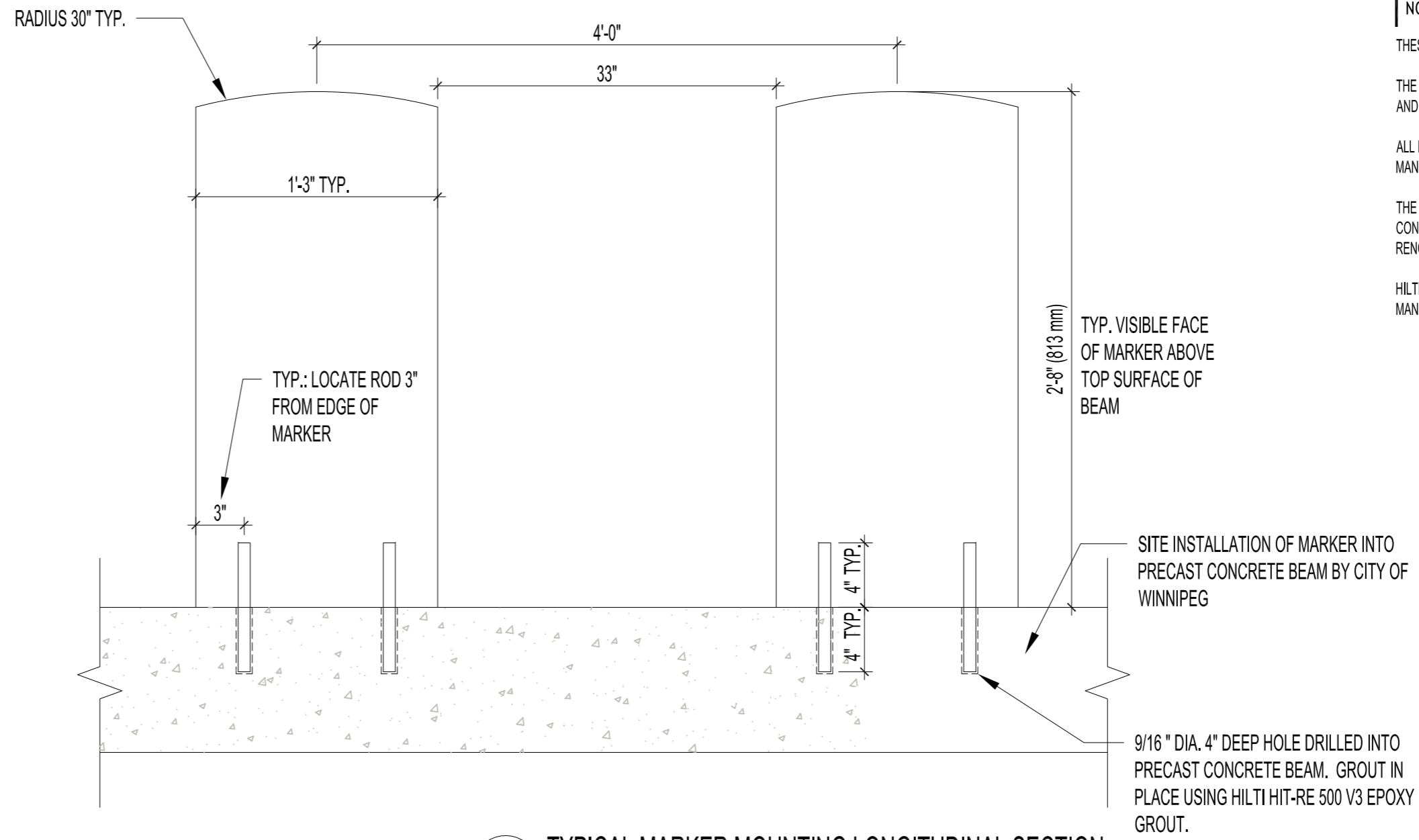
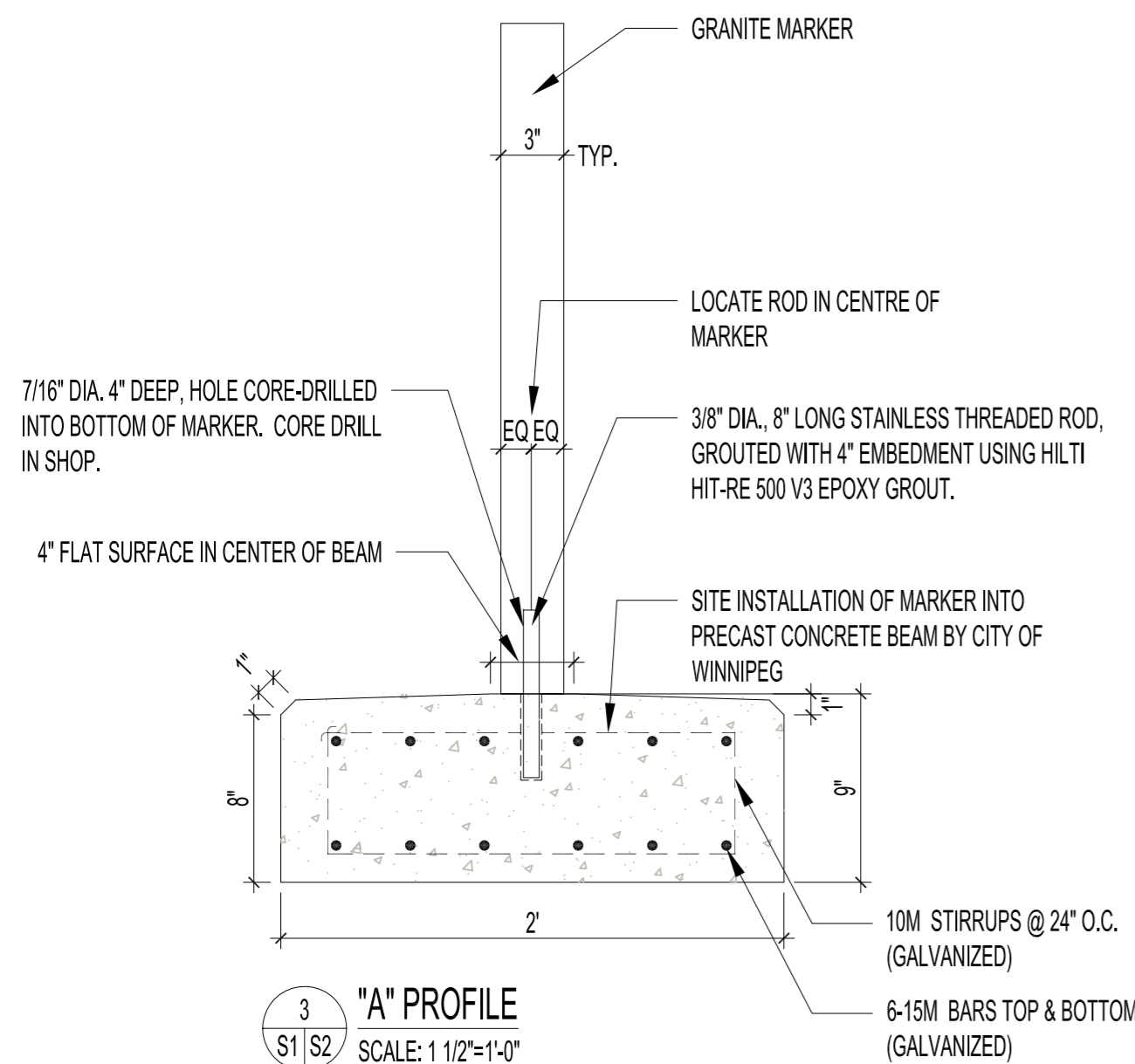


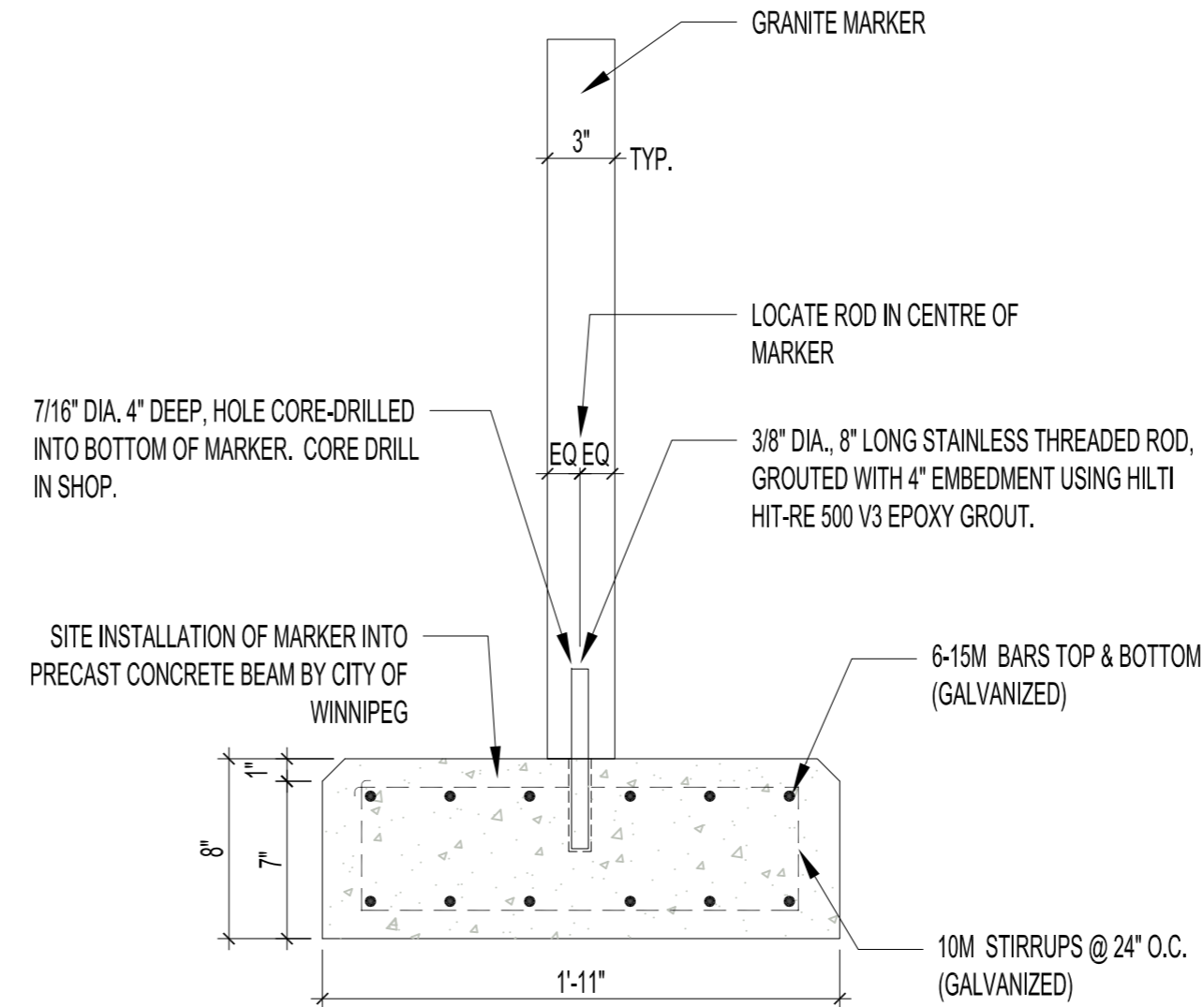
1 ISOMETRIC VIEW OF TYP. MARKER
SCALE: 1 1/2"=1'-0"



2 TYPICAL MARKER MOUNTING LONGITUDINAL SECTION
SCALE: 1 1/2"=1'-0"



3 "A" PROFILE
SCALE: 1 1/2"=1'-0"



4 "B" PROFILE
SCALE: 1 1/2"=1'-0"

NOTES:

THESE DRAWINGS SHALL NOT BE SCALED.

THE CONTRACTOR SHALL VISIT THE SITE AND SATISFY ONESELF WITH ALL DIMENSIONS, DATUM AND DETAILED INFORMATION SHOWN ARE CORRECT.

ALL PRODUCTS AND MATERIALS TO BE USED AND INSTALLED SHALL CONFORM WITH MANUFACTURER'S SPECIFICATIONS & APPLICABLE CODES.

THE CONTRACTOR SHALL BE RESPONSIBLE TO PATCH AND MAKE GOOD ALL EXISTING CONSTRUCTION AFFECTED BY THE REMOVAL OF ALL ITEMS FORMING THE PART OF THE RENOVATION WORK.

HILTI HIT-RE 500 V3 EPOXY GROUT SHALL BE USED IN STRICT CONFORMANCE WITH MANUFACTURER'S RECOMMENDATIONS.

0	ISSUED FOR CONSTRUCTION	JKR	APR 30 2018
No.	REVISION/DESCRIPTION	BY	DATE

SEAL



DRAWN	JKR	CHECKED	BDN	DESIGNED	BDN	APPROVED	BDN
DATE	2018.04.30	USER APPROVAL					

Winnipeg THE CITY OF WINNIPEG
PLANNING, PROPERTY AND DEVELOPMENT DEPARTMENT
MUNICIPAL ACCOMMODATIONS DIVISION
3-65 GARRY STREET, R3C 4K4

PROJECT
BROOKSIDE CEMETERY
FIELD OF HONOUR RESTORATION

3001 NOTRE DAME AVENUE

SHEET TITLE
PRECAST BEAMS

SCALE	PROJECT No:	SHEET No:
AS SHOWN	2016-049	S2