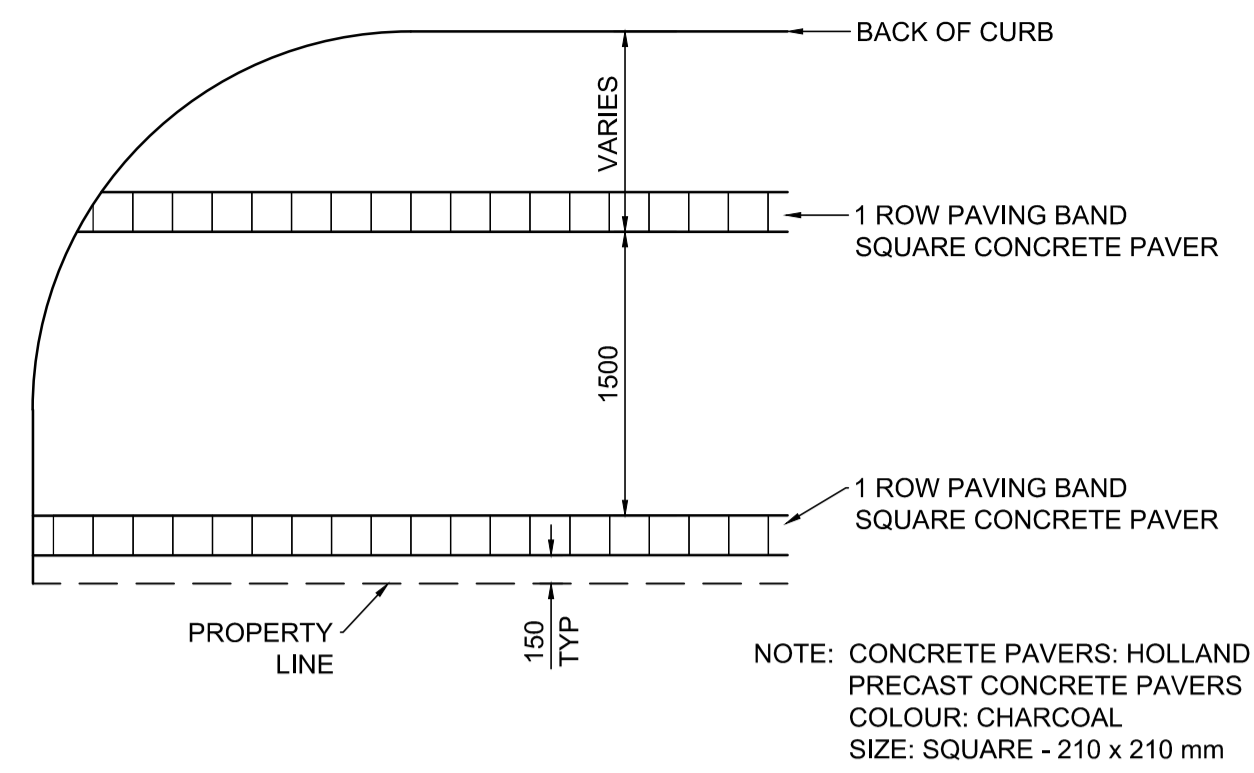


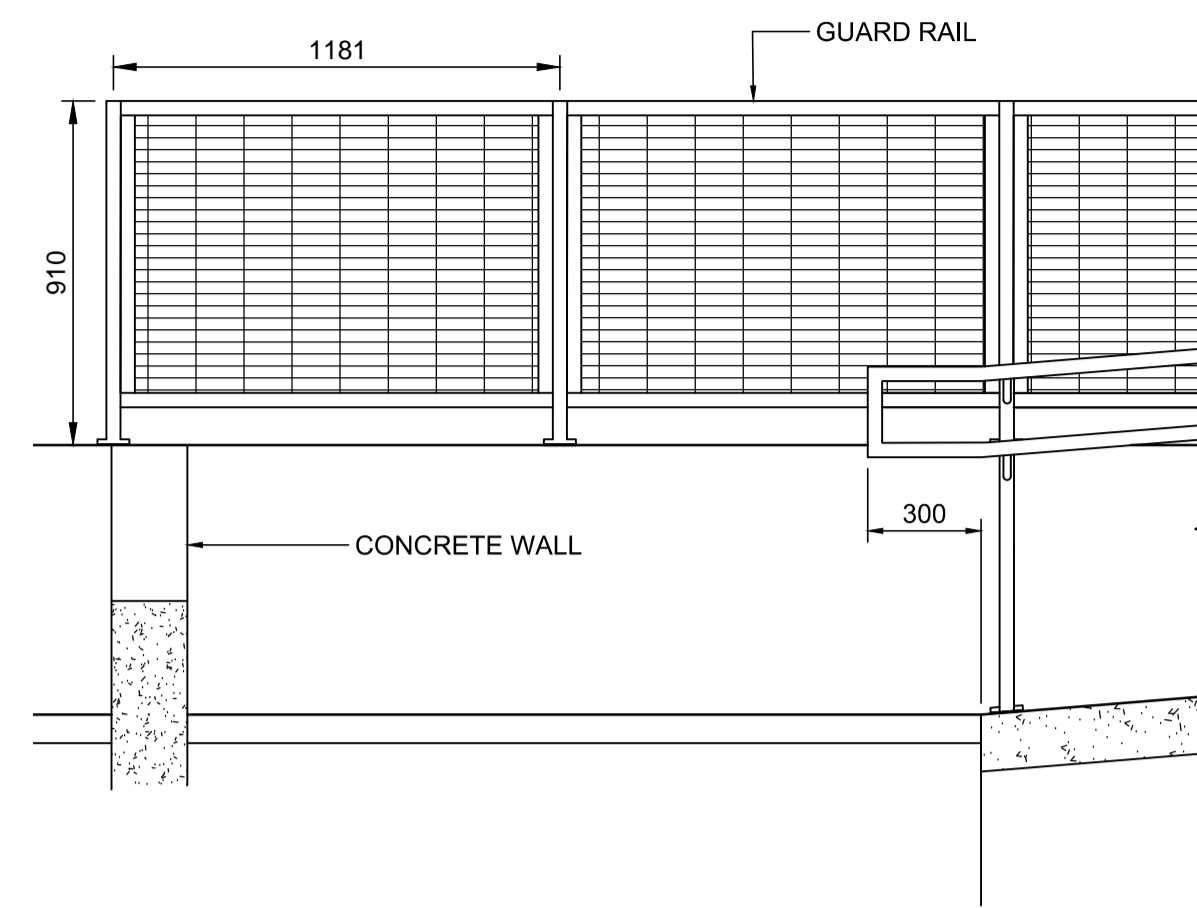
**1 | TYPICAL PAVING BAND PATTERN A**

- NORTH SIDE OF NOTRE DAME AVENUE AND NORTH OF NOTRE DAME AVENUE NTS



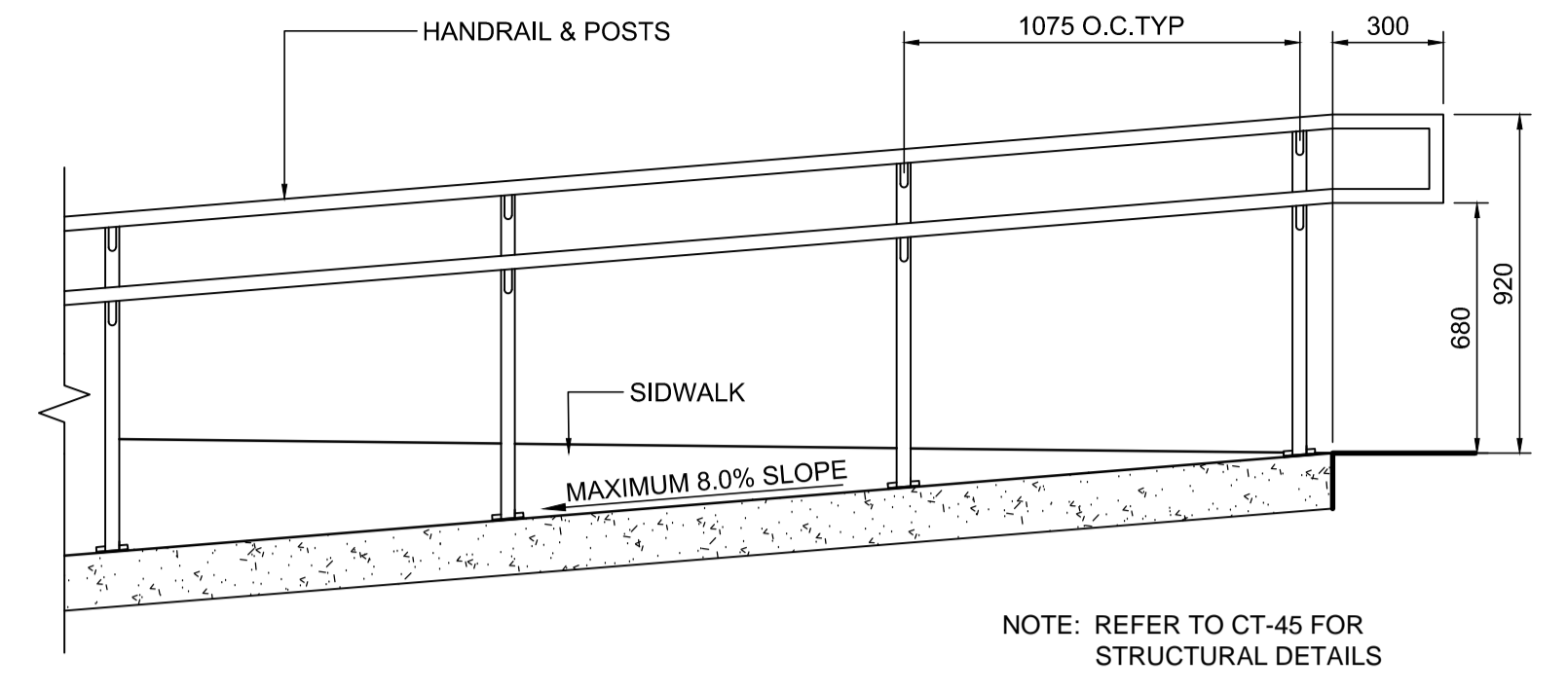
**2 | TYPICAL PAVING BAND PATTERN B**

- SOUTH SIDE OF NOTRE DAME AVENUE AND GARRY STREET NTS



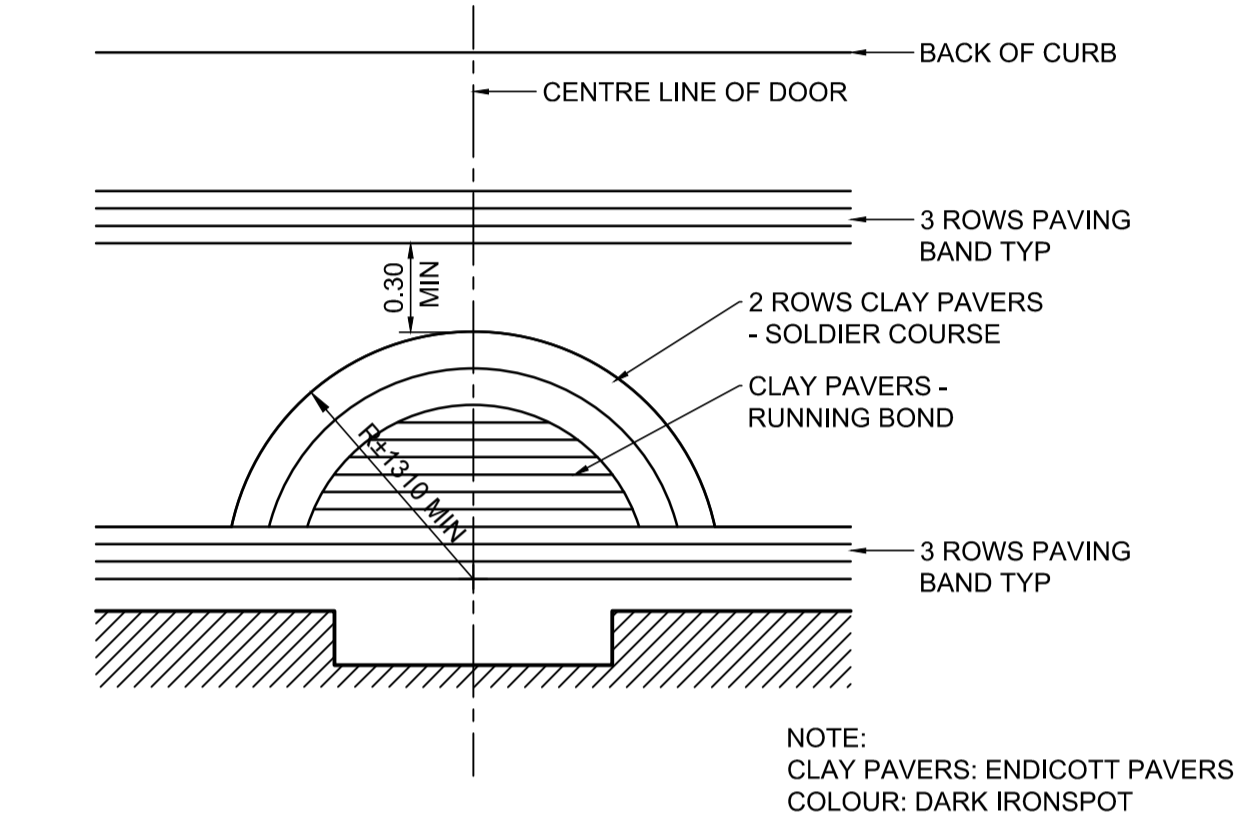
**B | STAIR SECTION**

Scale 1:20



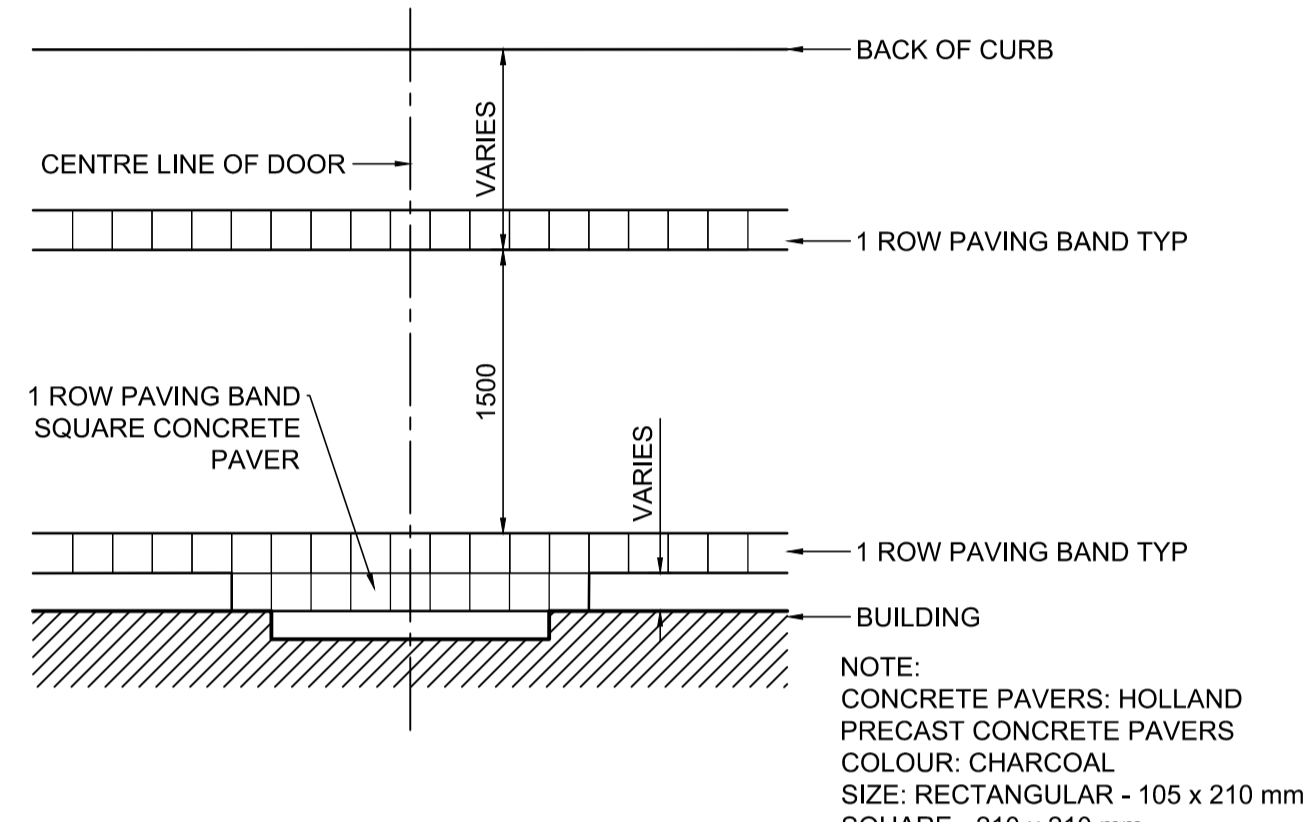
**A | RAMP AND HAND RAIL SECTION**

Scale 1:20



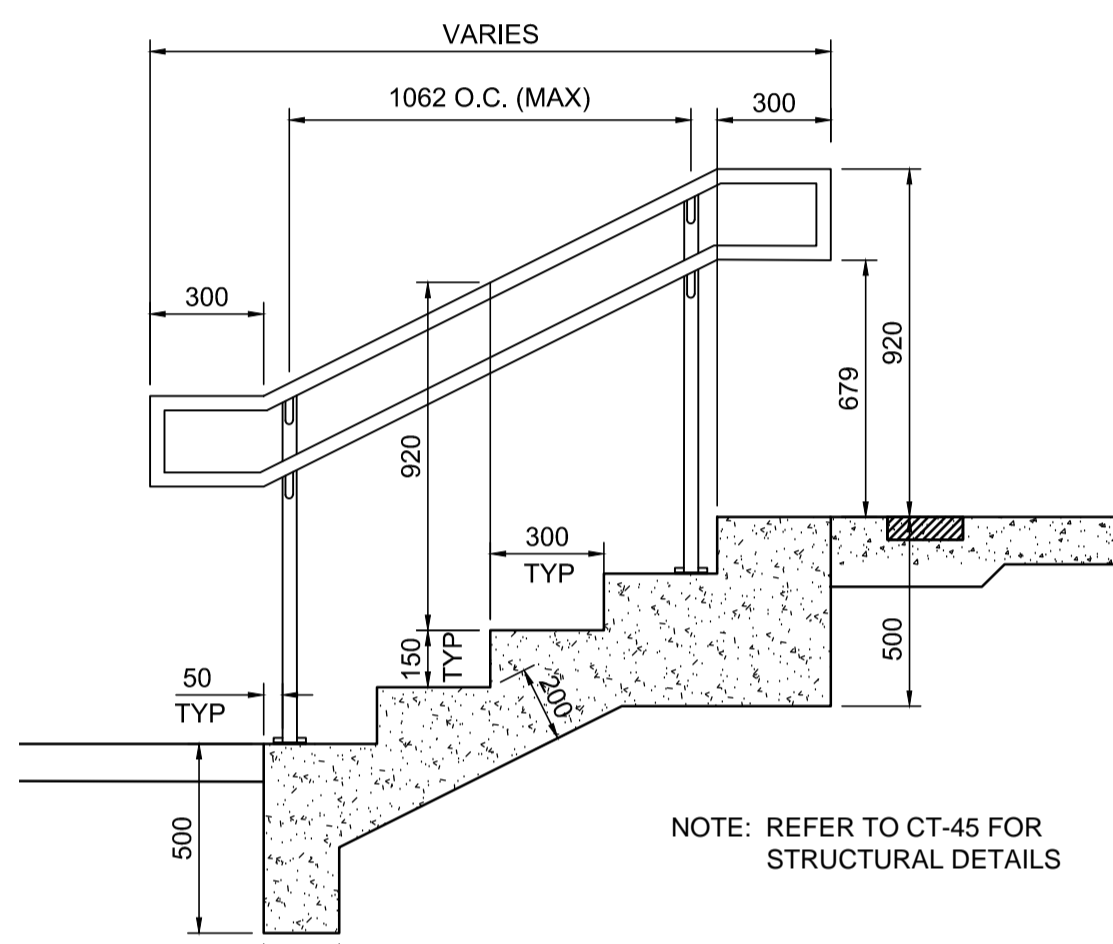
**3 | TYPICAL ENTRY PAVING A**

- NORTH SIDE OF NOTRE DAME AVENUE AND NORTH OF NOTRE DAME AVENUE NTS



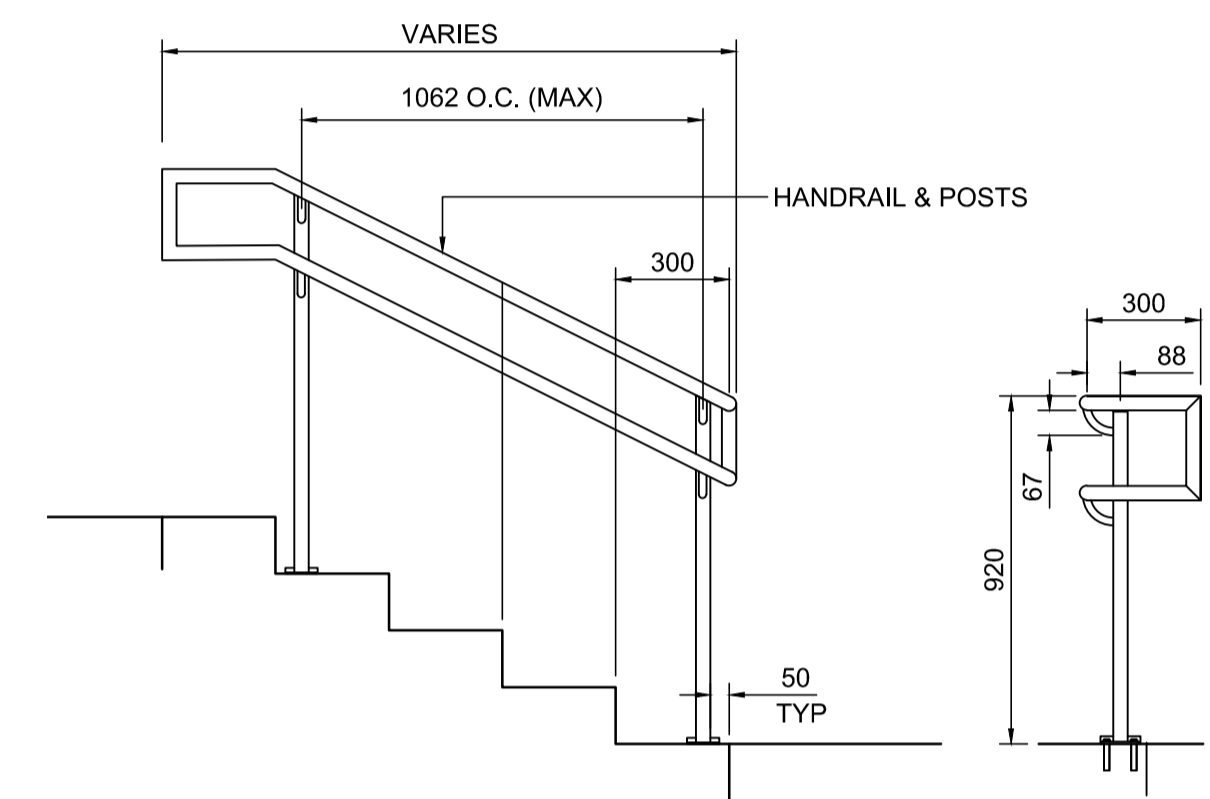
**4 | TYPICAL ENTRY PAVING B**

- SOUTH SIDE OF NOTRE DAME AVENUE AND GARRY STREET NTS



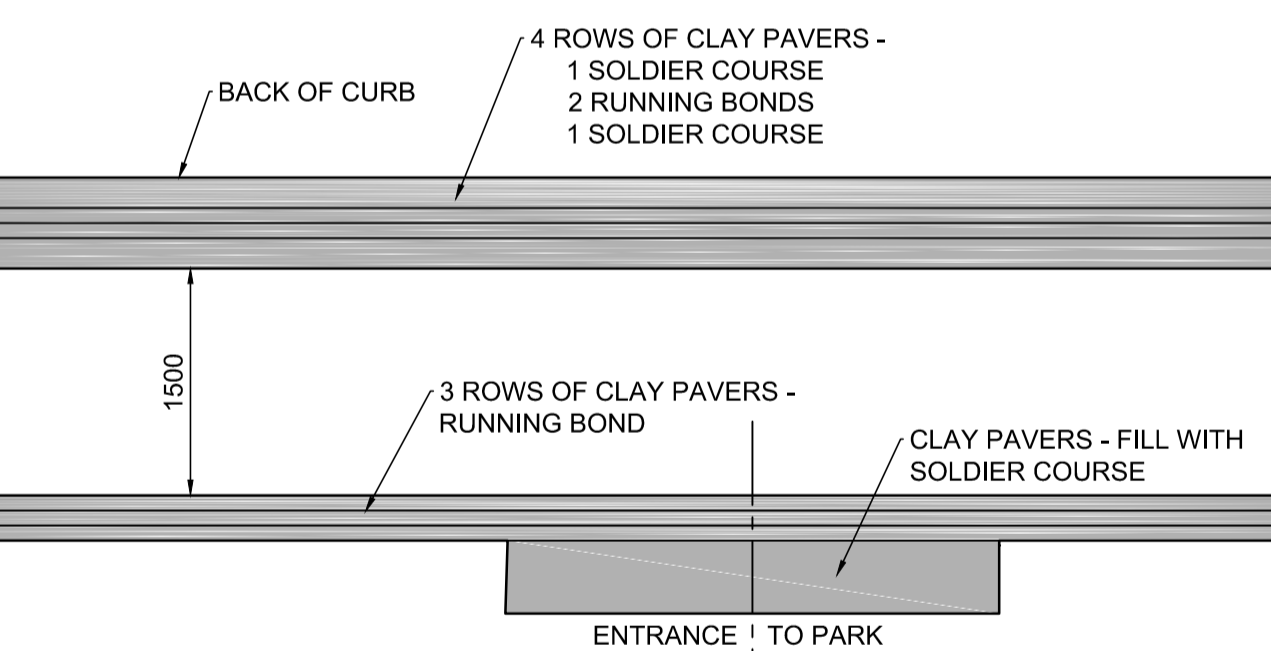
**B | STAIR SECTION**

Scale 1:20



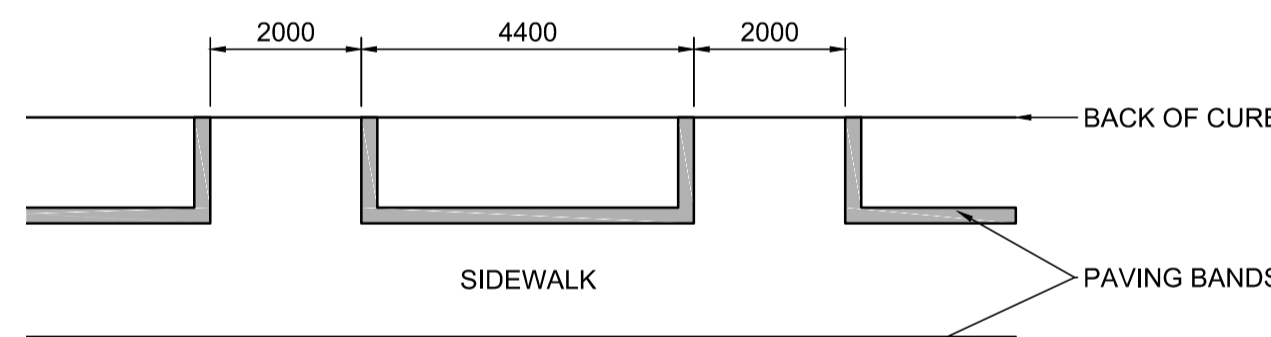
**C | STAIR SECTION**

Scale 1:20



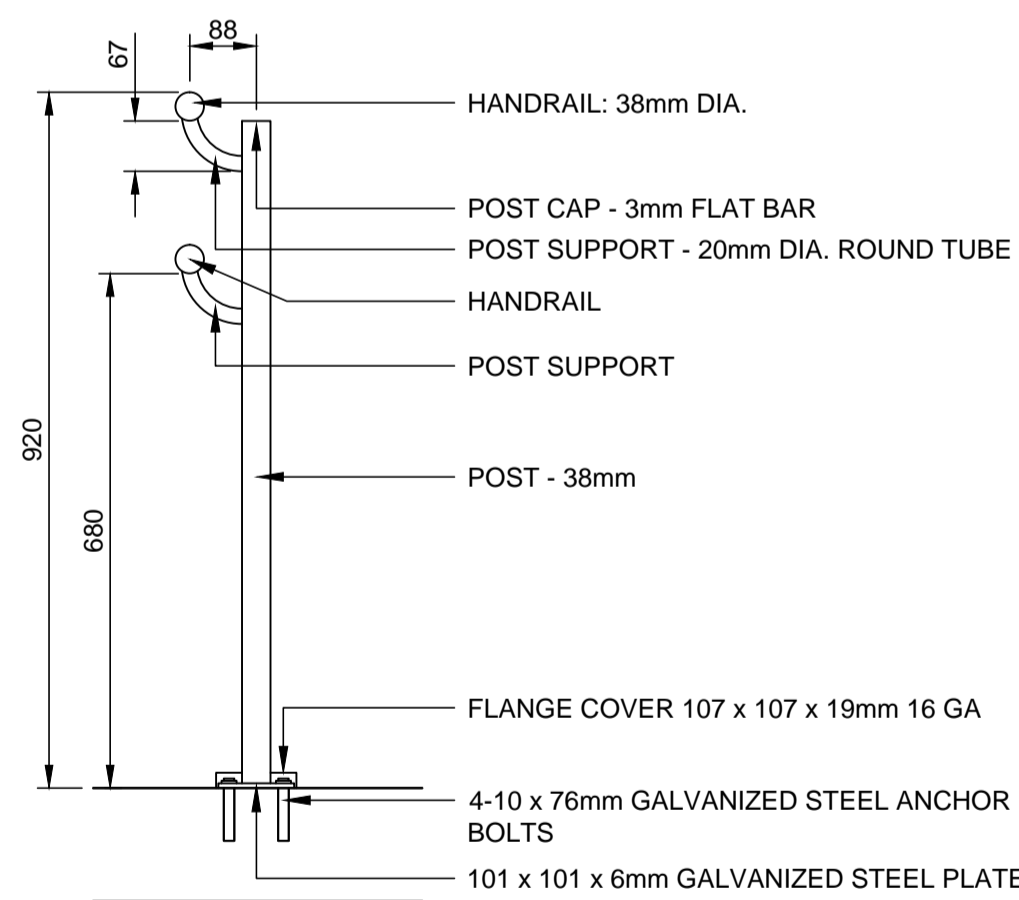
**5 | TRIANGULAR PARK PAVING PATTERN**

NTS



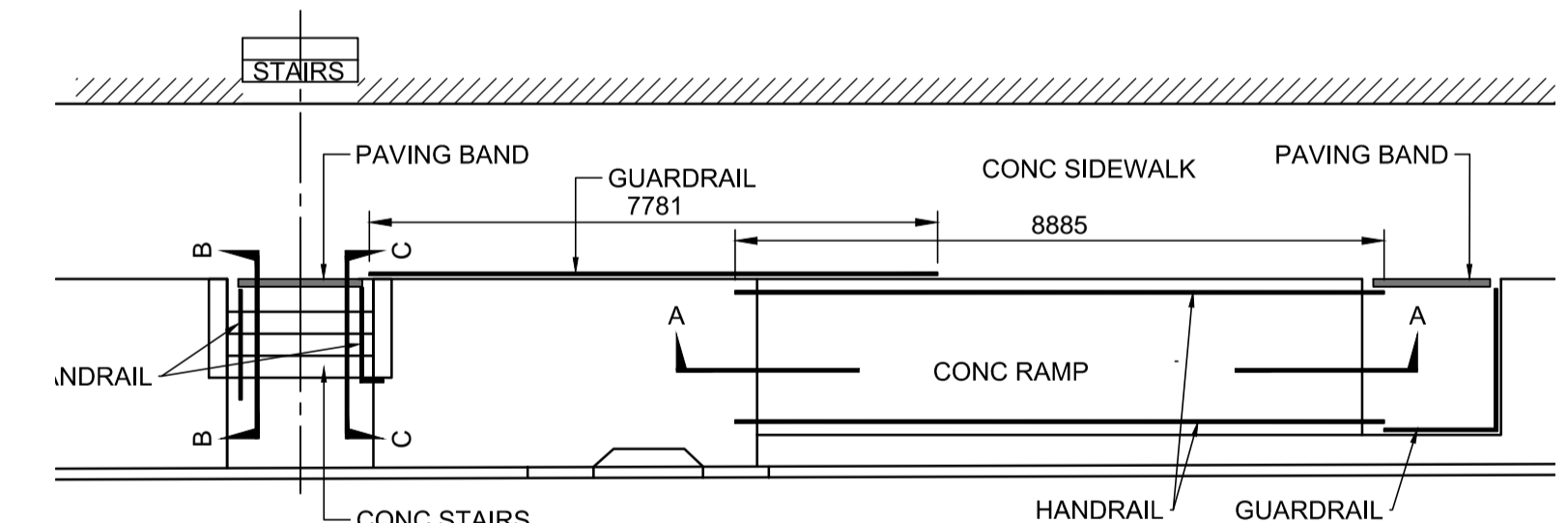
**6 | BUS STOP TYPICAL**

NTS



**9 | HAND RAIL & POST**

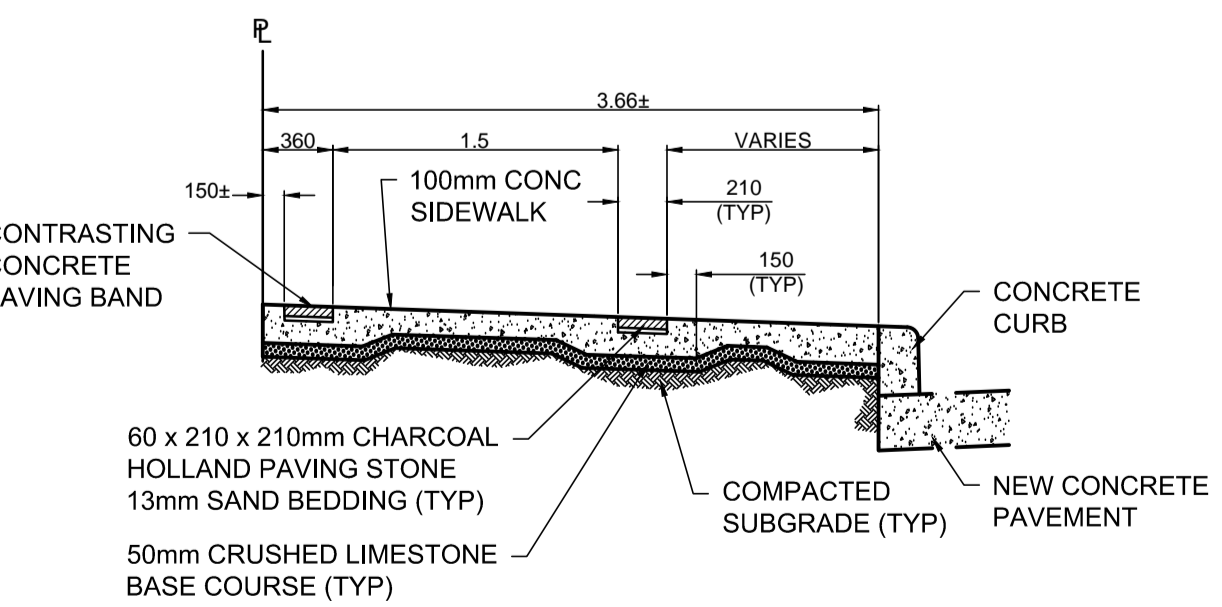
Scale 1:10



**10 | FORT GARRY PLACE STAIR AND RAMP**

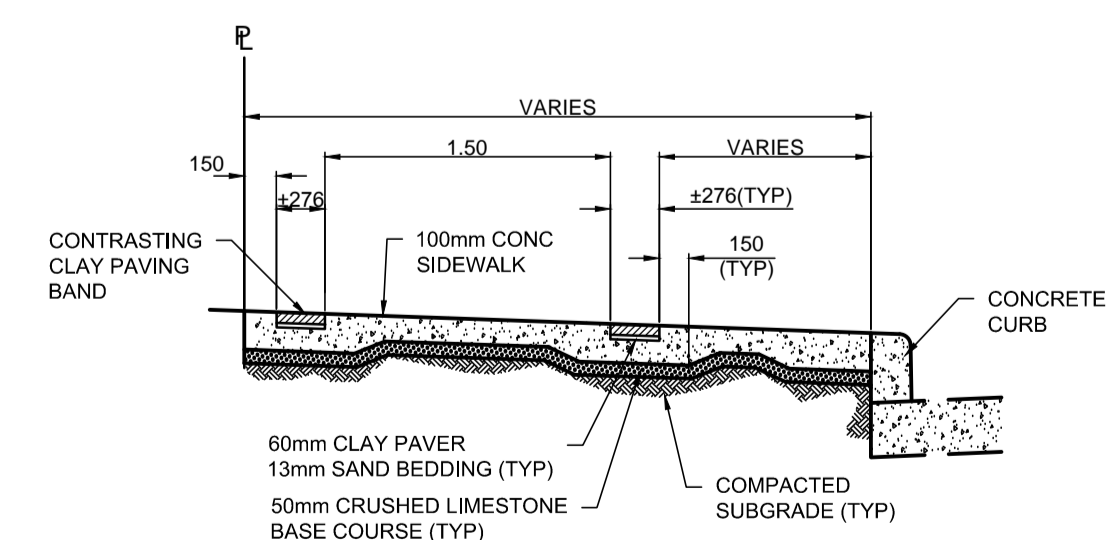
CT-42

Scale 1:100



**7 | TYPICAL SECTION GARRY STREET**

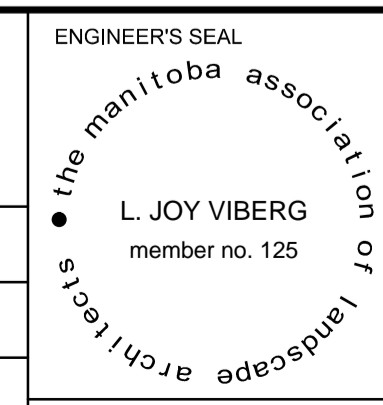
NTS



**8 | TYPICAL SECTION NOTRE DAME AVE**

NTS

B.M. 38 - 035 ELEV. 232.286	S.W. Cor. Notre Dame Ave. & Hargrave St., Tbl. in N. Conc. found. No. 440 Hargrave St., 1m W. & 0.3 m below Tyndall Stone of N.E. Cor. of Bldg.
DESIGNED BY	LJV
CHECKED BY	
DRAWN BY	LJV
APPROVED BY	
HOR. SCALE:	AS NOTED
VERTICAL:	RELEASED FOR CONSTRUCTION BY:
0 ISSUED FOR TENDER	2018/02/26 LJV
B RE-ISSUED FOR REVIEW	2018/01/29 LJV
A ISSUED FOR REVIEW	2017/11/27 LJV
NO. REVISIONS	DATE BY DATE
	2018/02/26



**THE CITY OF WINNIPEG**  
PUBLIC WORKS DEPARTMENT  
ENGINEERING DIVISION

DOWNTOWN BIKE LANE SYSTEM  
AND STREET IMPROVEMENT

STREETSCAPING  
DETAILS - 1

CITY DRAWING NUMBER  
P-3495-43  
SHEET 43 OF 45



**METRIC**  
WHOLE NUMBERS INDICATE MILLIMETRES  
DECIMALIZED NUMBERS INDICATE METRES