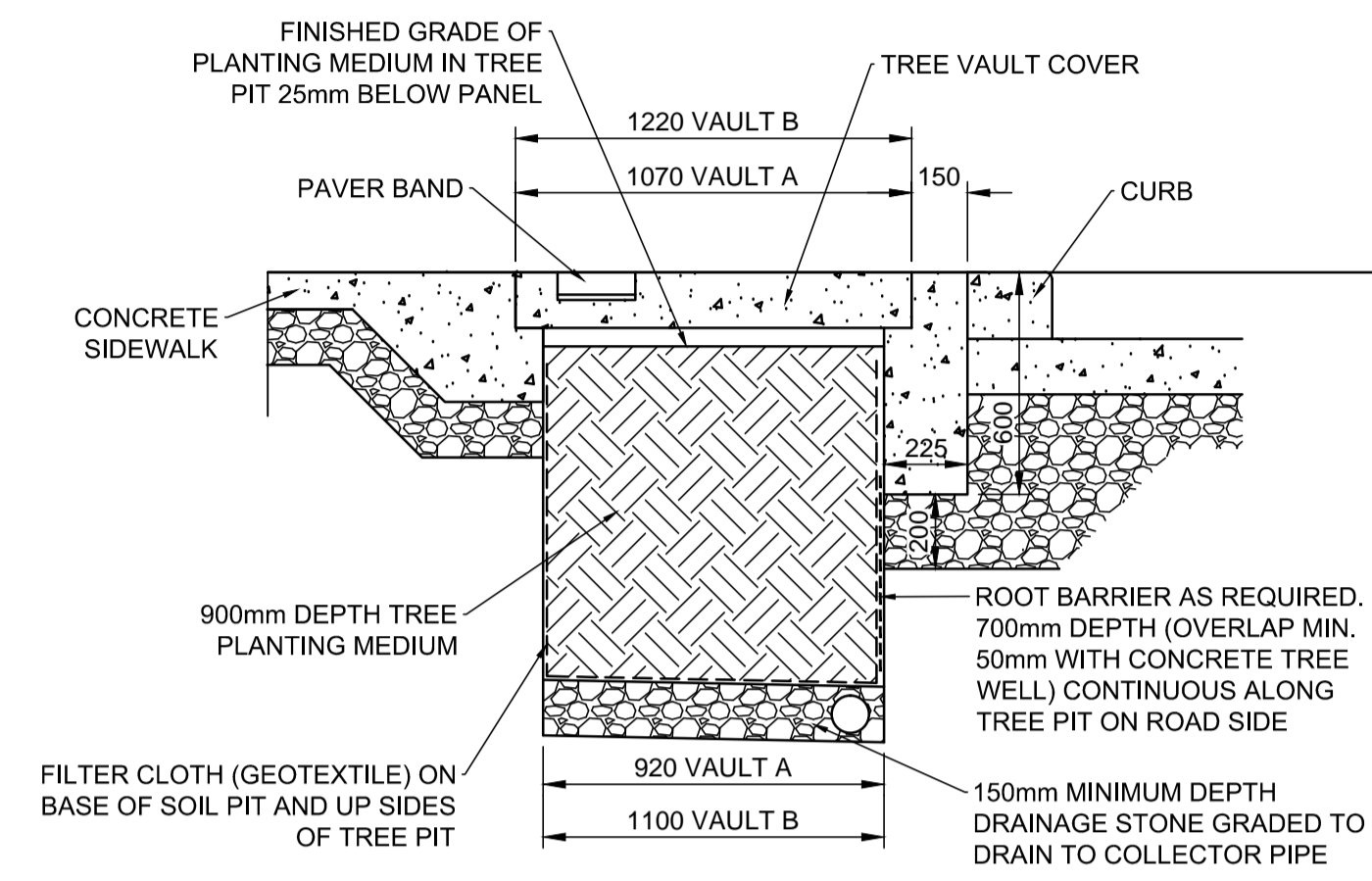
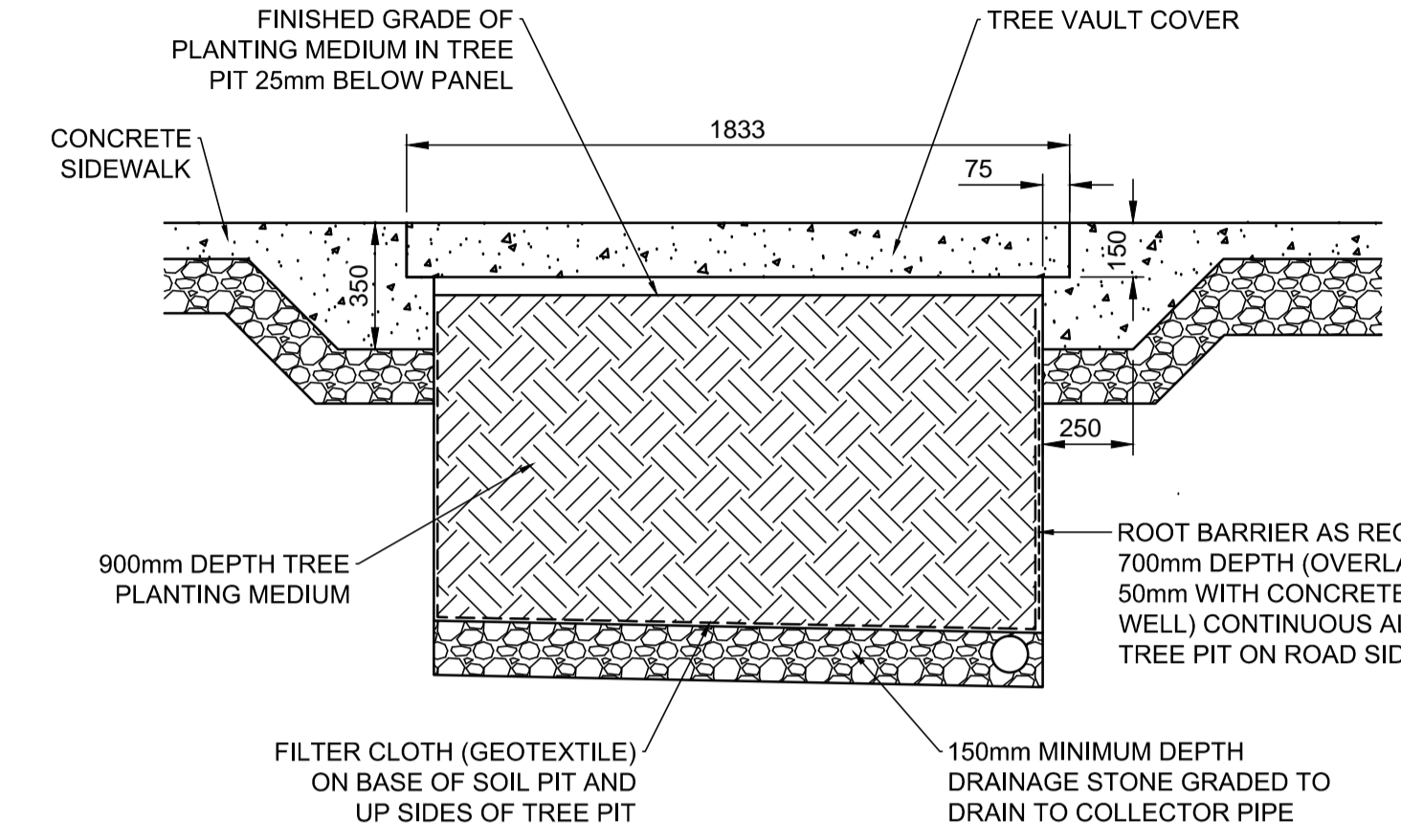


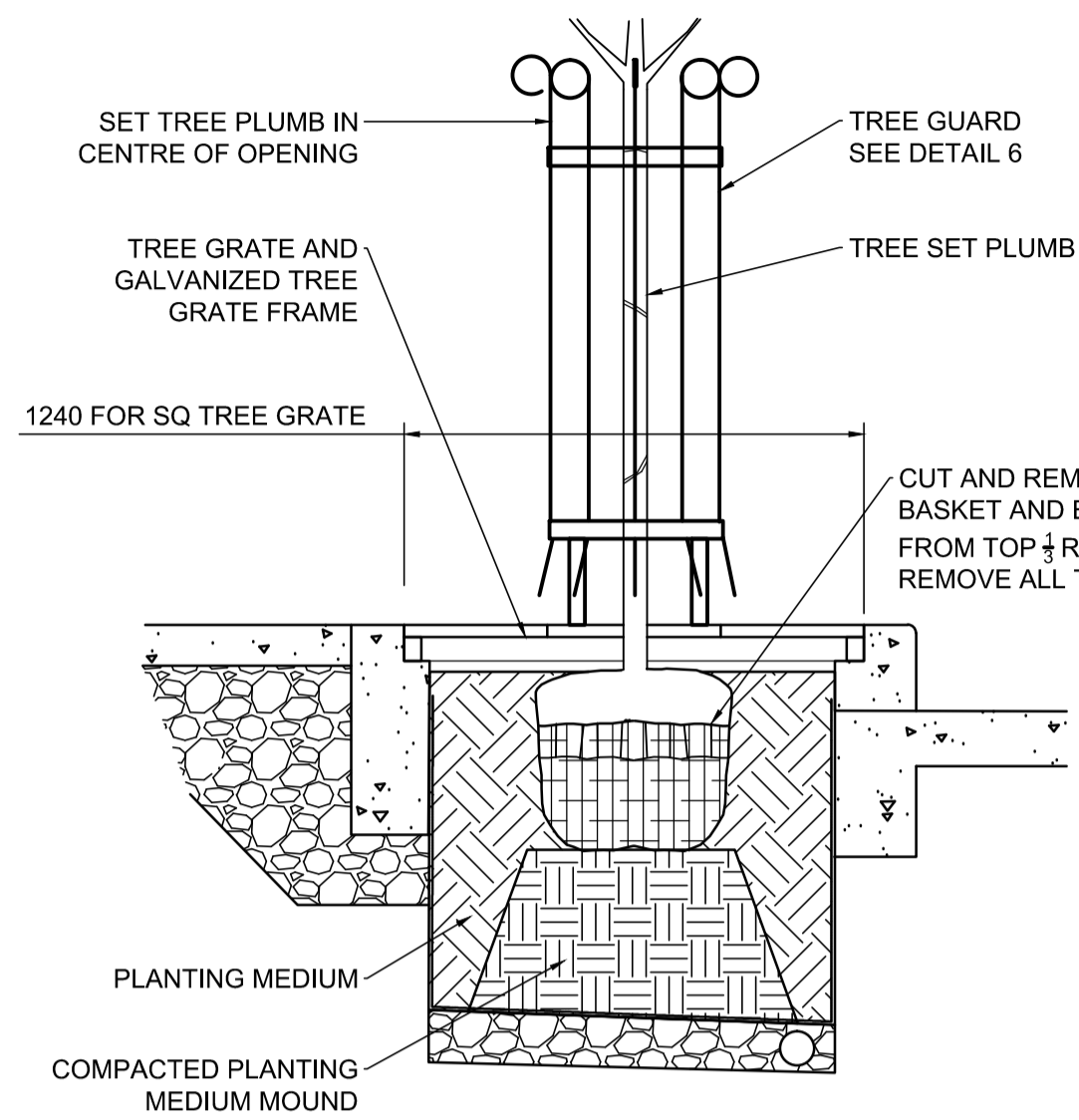
A TREE GRATE WITH GALVANIZED FRAME
NTS



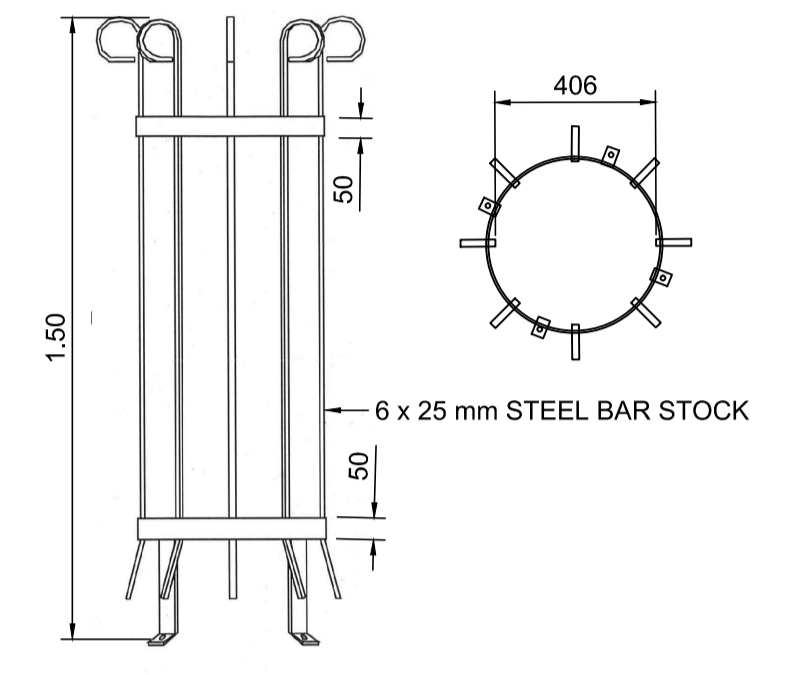
1 TREE VAULT "A" & "B"
Scale NTS



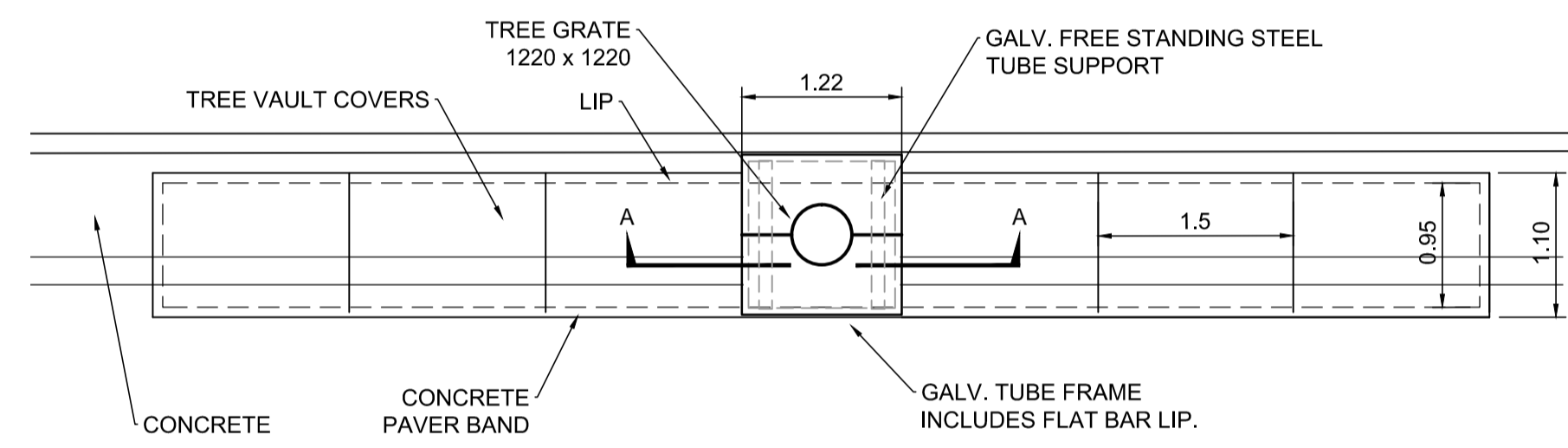
2 TREE VAULT "C"
Scale NTS



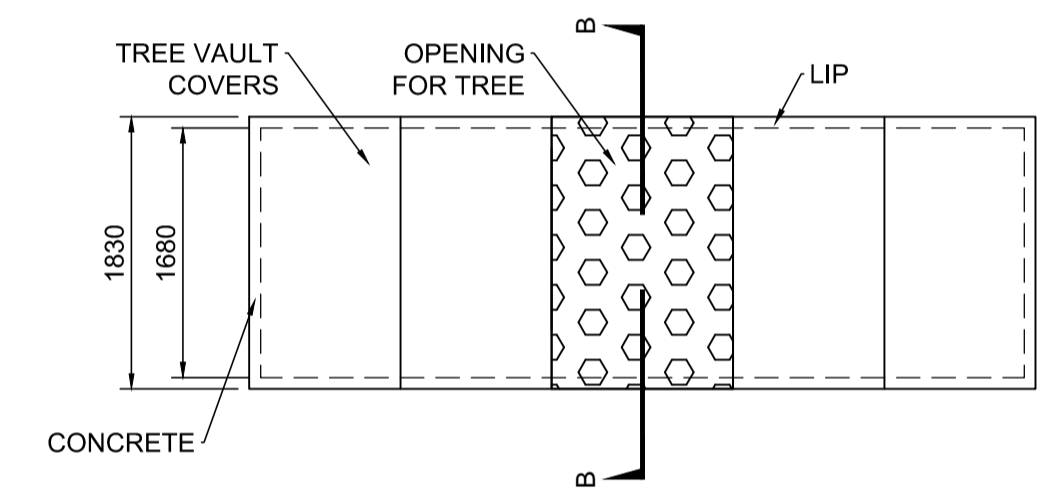
3 TREE VAULT TREE PLANTING DETAIL
CT-38 NTS



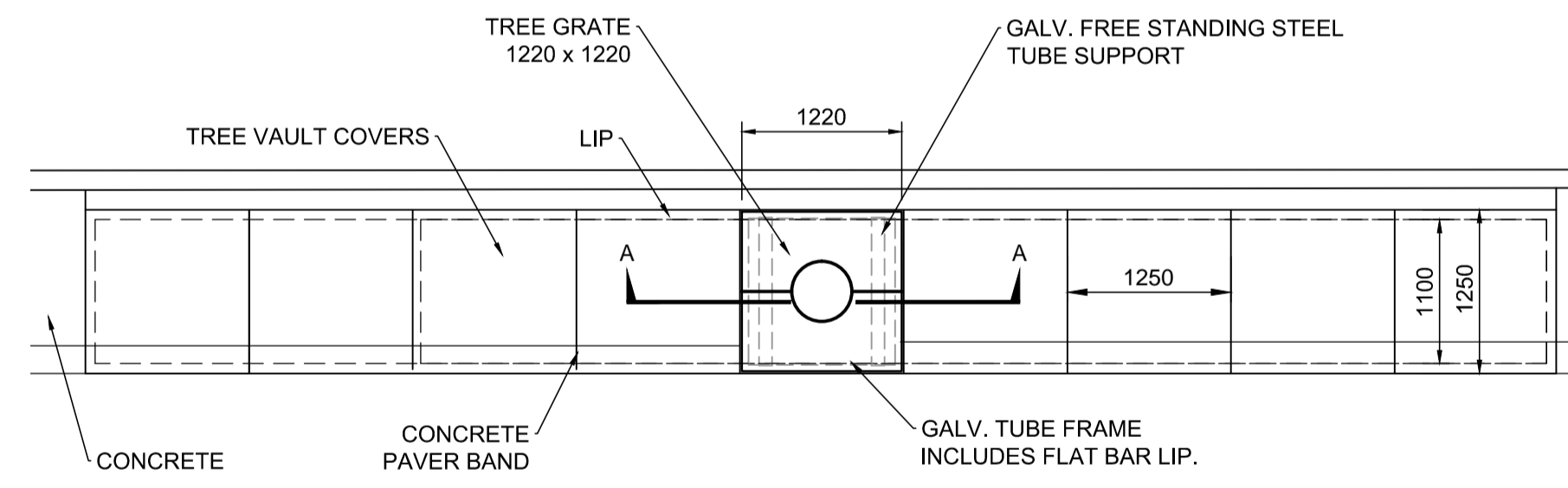
4 TREE GUARD
NTS



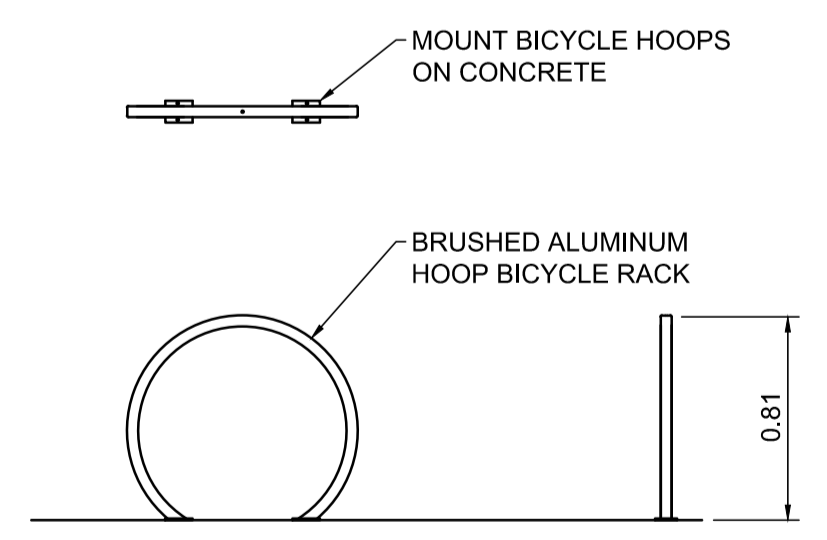
TREE VAULT A - PLAN
NTS



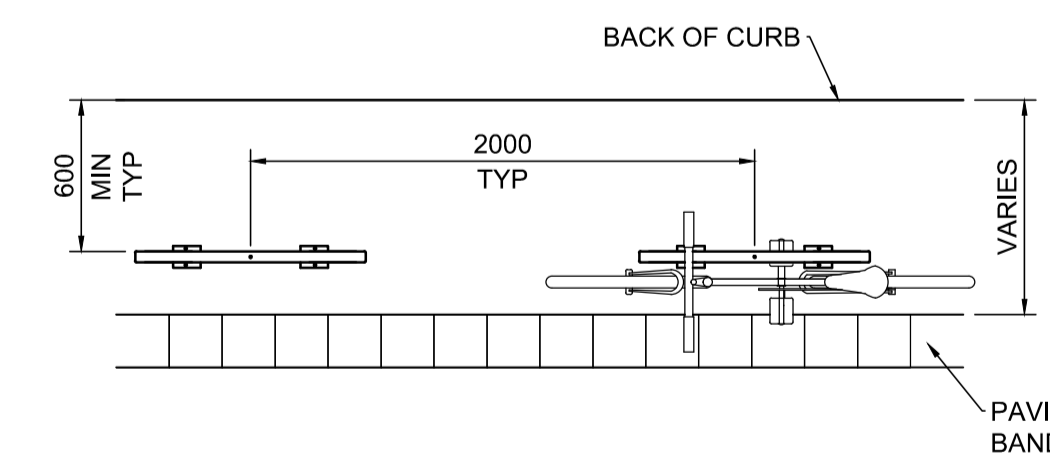
TREE VAULT C - PLAN
NTS



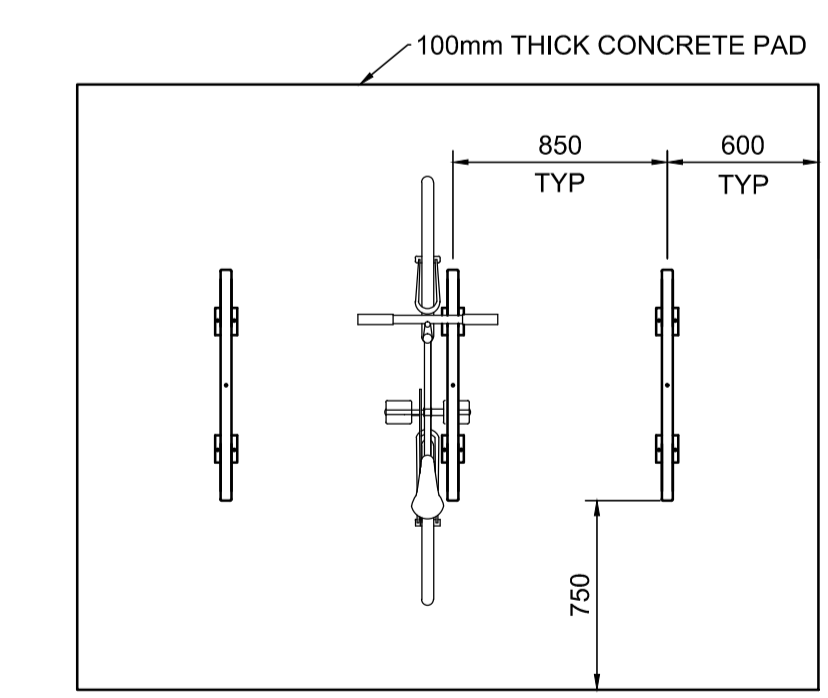
TREE VAULT B - PLAN
NTS



5 BICYCLE RACK
CT-38 NTS



BIKE RACK BACK OF CURB
NTS



BIKE RACK ON CONCRETE PAD
NTS

AECOM
Certificate of Authorization
AECOM Canada Ltd.
No. 4671 Date: _____

METRIC
WHOLE NUMBERS INDICATE MILLIMETRES
DECIMALIZED NUMBERS INDICATE METRES

B.M. 38 - 035 ELEV. 232.286		S.W. Cor. Notre Dame Ave. & Hargrave St., Tbl. in N. Conc. found. No. 440 Hargrave St., 1m W. & 0.3 m below Tyndall Stone of N.E. Cor. of Bldg.		AECOM		ENGINEER'S SEAL the manitoba association of landscape architects L. JOY VIBERG member no. 125		THE CITY OF WINNIPEG PUBLIC WORKS DEPARTMENT ENGINEERING DIVISION	
DESIGNED BY	LJV	CHECKED BY				DOWNTOWN BIKE LANE SYSTEM AND STREET IMPROVEMENT		CITY DRAWING NUMBER P-3495-44	
DRAWN BY	LJV	APPROVED BY		HOR. SCALE: AS NOTED		RELEASSED FOR CONSTRUCTION BY:		SHEET 44 OF 45	
0	ISSUED FOR TENDER	2018/02/26	LJV	VERTICAL:		CONSULTANT DRAWING NO. CT-44		STREETSCAPING DETAILS - 2	
B	RE-ISSUED FOR REVIEW	2018/01/29	LJV	DATE		DATE		2018/02/26	
A	ISSUED FOR REVIEW	2017/11/27	LJV	DATE		DATE			
NO.	REVISIONS	DATE	BY	DATE	2018/02/26	DATE	DATE		