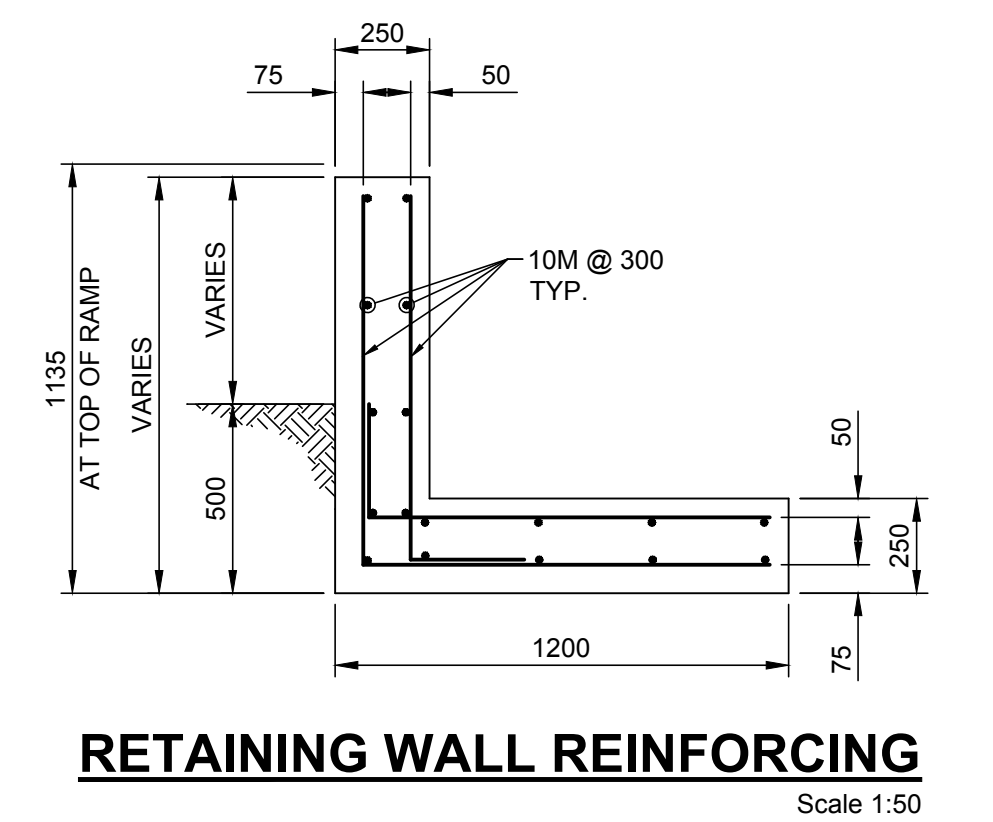
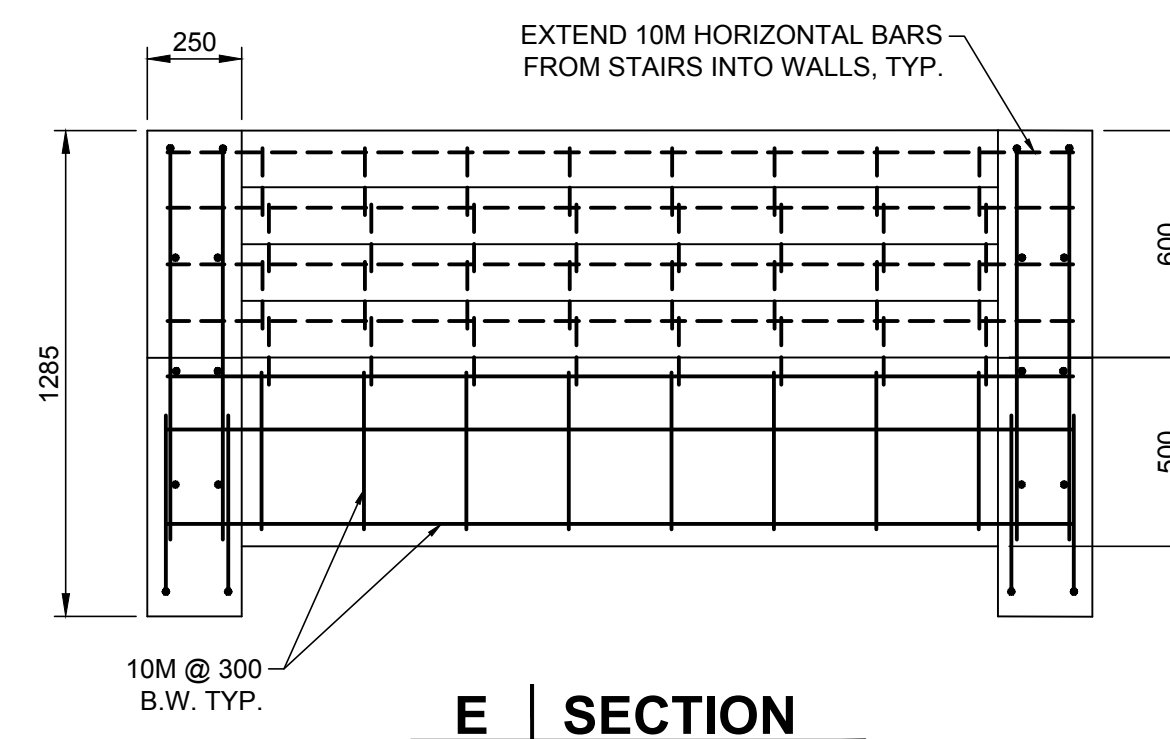
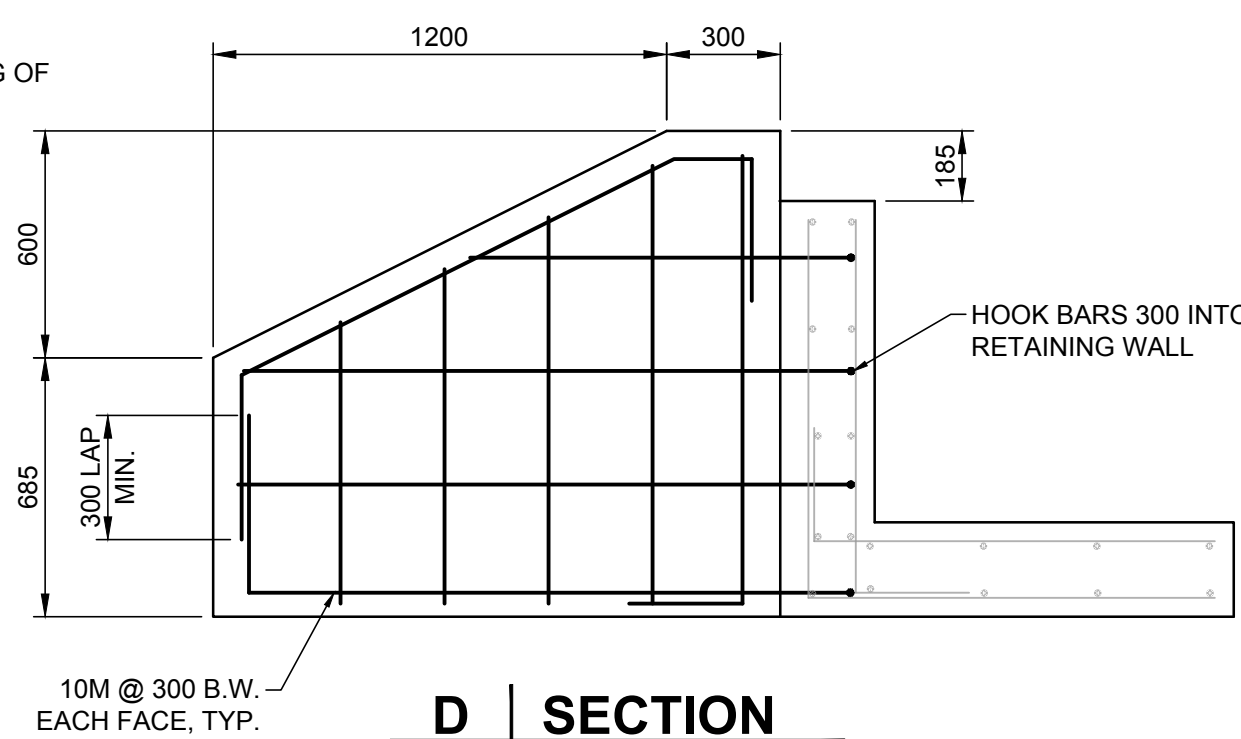
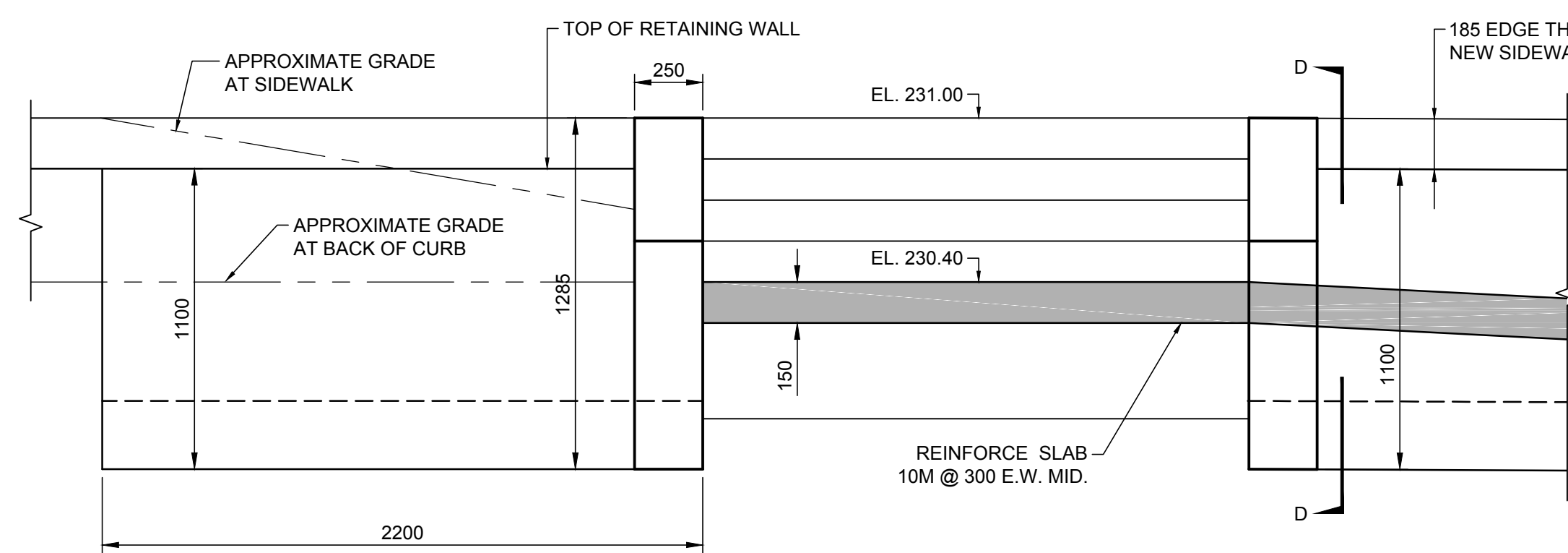
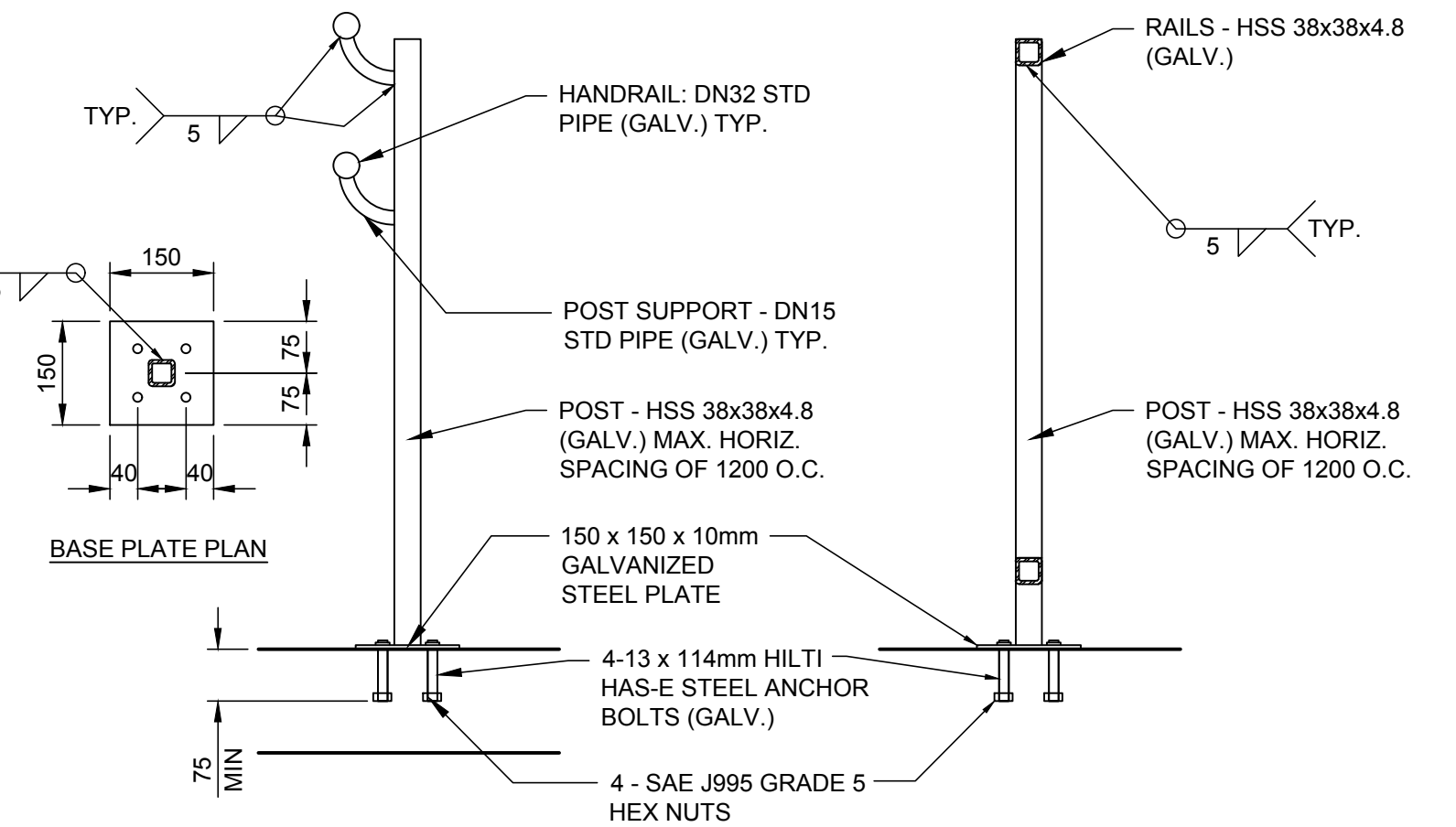
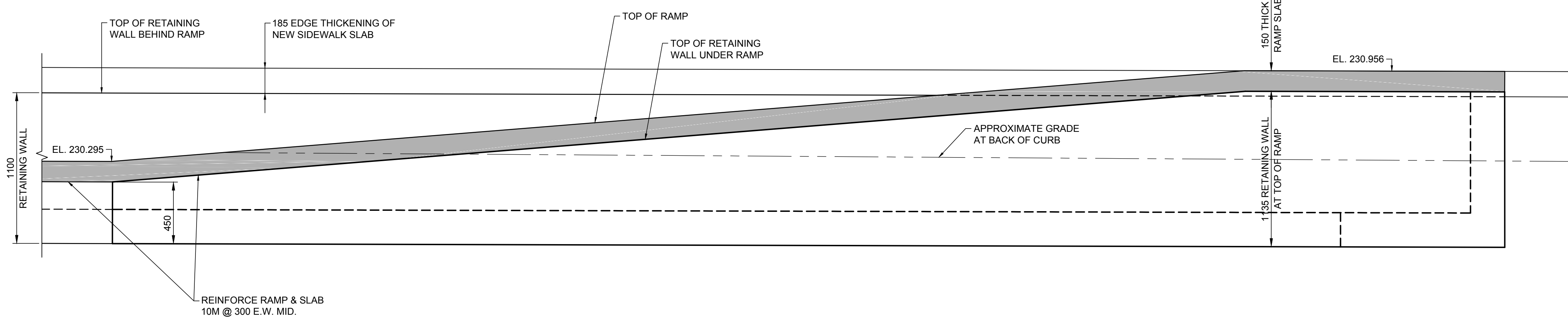
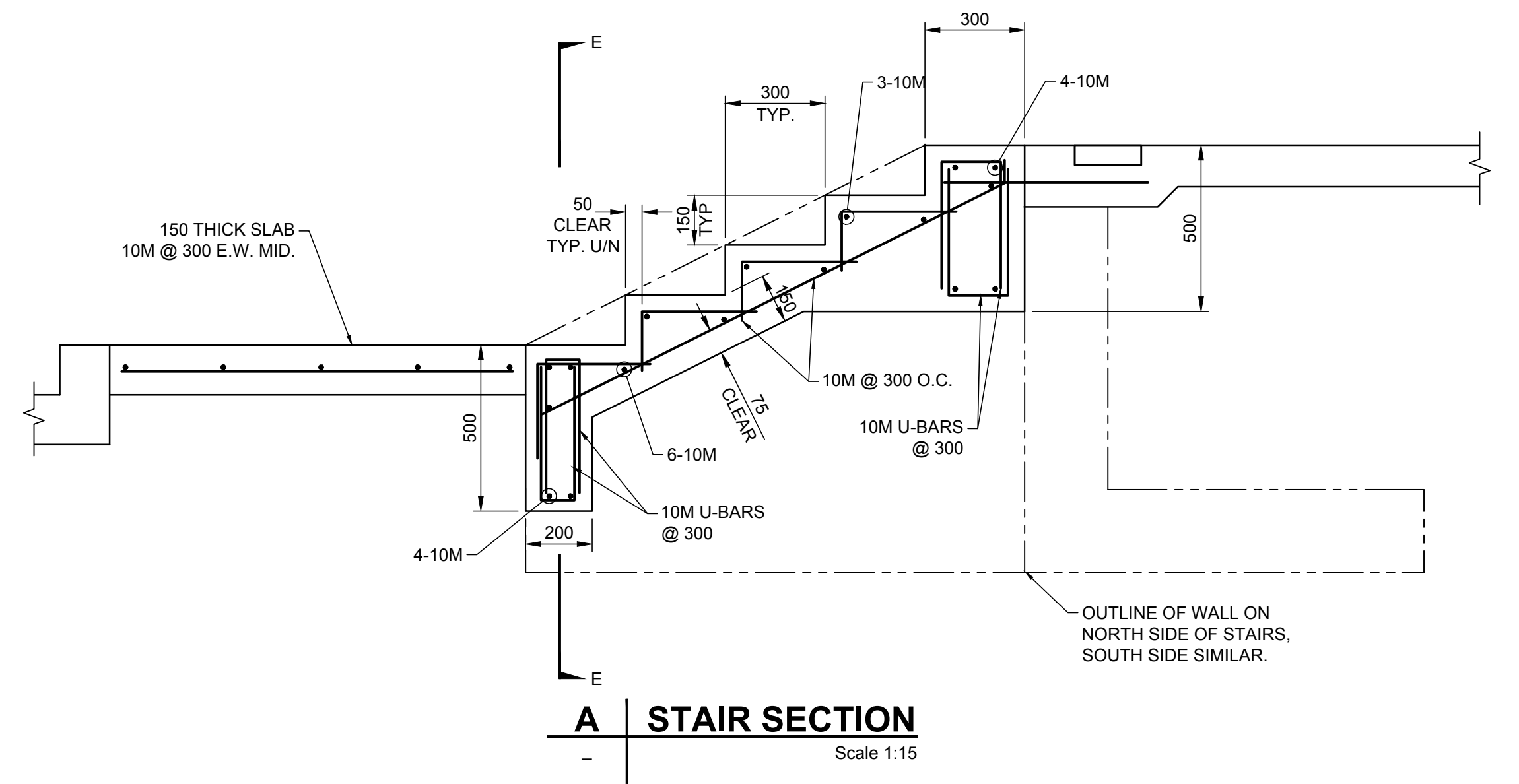


FORT GARRY PLACE STAIR AND RAMP
Scale 1:50

NOTE:
HANDRAILS AND GUARDRAIL NOT SHOWN
FOR CLARITY. SEE DRAWING 44.



METRIC
WHOLE NUMBERS INDICATE MILLIMETRES
DECIMALIZED NUMBERS INDICATE METRES



B.M. 38 - 035 S.W. Cor. Notre Dame Ave. & Hargrave St., Toit. in
ELEV. 232.286 N. Conc. found. No. 440 Hargrave St., 1m W. &
0.3 m below Tyndall Stone of N.E. Cor. of Bldg.

AECOM

ENGINEER'S SEAL

THE CITY OF WINNIPEG
PUBLIC WORKS DEPARTMENT
ENGINEERING DIVISION

DESIGNED BY	FT	CHECKED BY	
DRAWN BY	KM	APPROVED BY	
0 ISSUED FOR TENDER	18/02/26	FT	
A ISSUED FOR REVIEW	18/01/29	FT	
NO. REVISIONS	DATE	BY	DATE

HOR. SCALE:	AS NOTED	RELEASED FOR CONSTRUCTION BY:	
VERTICAL:			
CONSULTANT DRAWING NO.		CT-45	

CONSULTANT DRAWING NO.
CT-45

DOWNTOWN BIKE LANE SYSTEM
AND STREET IMPROVEMENT

FORT GARRY PLACE
RAMP AND STAIRS DETAILS

CITY DRAWING NUMBER
P-3495-45
SHEET 45 OF 45