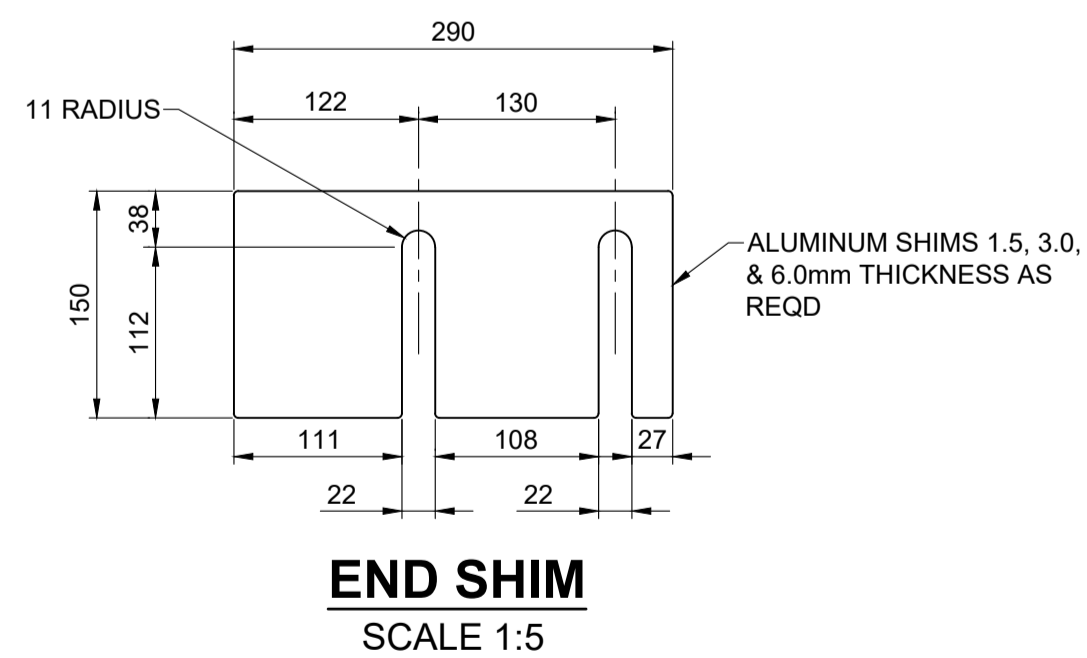
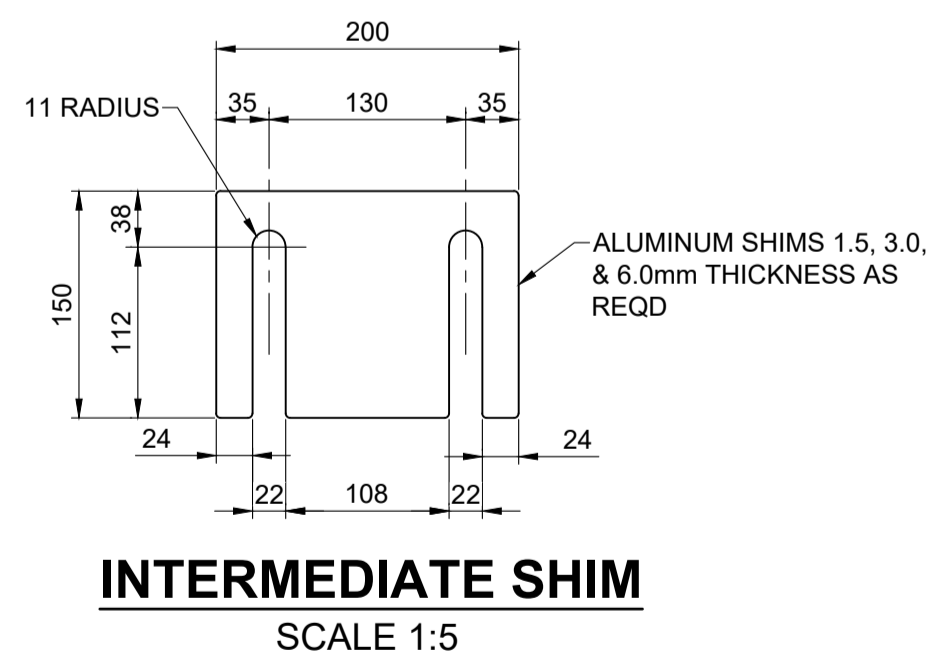
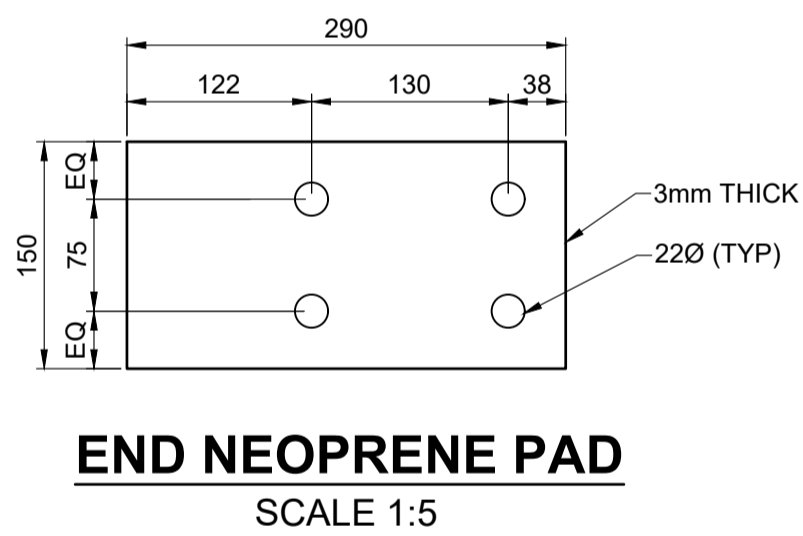
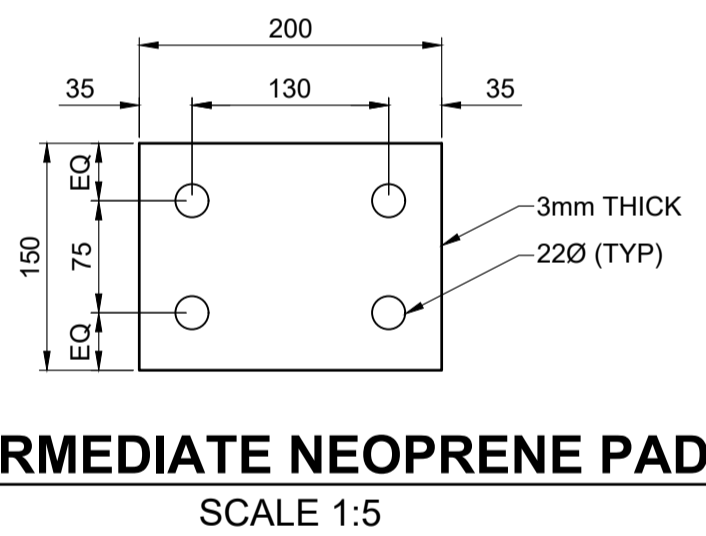


NOTE: ANGLE "Y" VARIES ACCORDING TO GRADE OF CURB AT RAIL POST LOCATION. REFER TO GRADING PLAN ON DRAWING 120 FOR CURB GRADES



METRIC
WHOLE NUMBERS INDICATE MILLIMETRES
DECIMALIZED NUMBERS INDICATE METRES

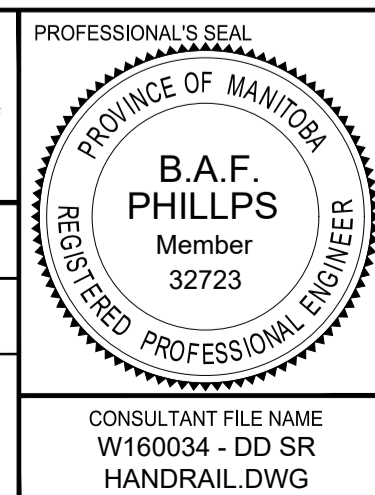
LOCATION APPROVED
UNDERGROUND STRUCTURES

DATE: _____

NOTE:
LOCATION OF UNDERGROUND STRUCTURES AS SHOWN ARE BASED ON THE BEST INFORMATION AVAILABLE BUT NO GUARANTEE IS GIVEN THAT ALL EXISTING UTILITIES ARE SHOWN OR THAT THE GIVEN LOCATIONS ARE EXACT. CONFIRMATION OF EXISTENCE AND EXACT LOCATION OF ALL SERVICES MUST BE OBTAINED FROM THE INDIVIDUAL UTILITIES BEFORE PROCEEDING WITH CONSTRUCTION.

No.	REVISIONS	DATE	BY
C	ISSUED FOR ADDENDUM 1	18/10/05	BAP
B	ISSUED FOR TENDER	18/09/04	BAP
A	ISSUED FOR 95% DESIGN REVIEW	18/08/07	BAP

MORRISON HERSHFIELD	
DESIGNED BY: YM	CHECKED BY: BAP
DRAWN BY: ALP	APPROVED BY: BE
HOR SCALE: AS SHOWN	VERT SCALE: AS SHOWN
RELEASED FOR CONSTRUCTION	N/A
DATE: _____	DATE: _____



THE CITY OF WINNIPEG
PUBLIC WORKS DEPARTMENT
ENGINEERING DIVISION

EMPRESS STREET PROJECT
PEDESTRIAN ACCESSIBILITY RAMPS
SOUTH RAMP
PEDESTRIAN HANDRAIL DETAILS 6

CITY DRAWING NUMBER: P-3494-134
SHEET 134 OF 169
DRAWING No. REV 134 C

CONSULTANT FILE NAME: W160034 - DD SR HANDRAIL.DWG