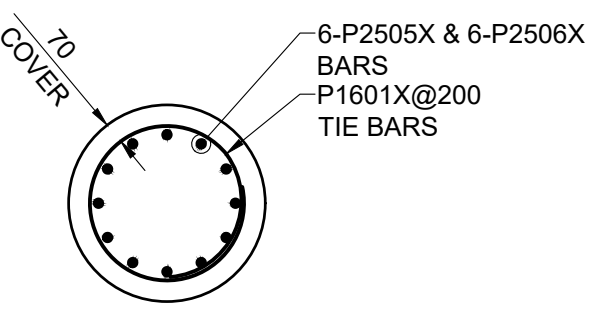
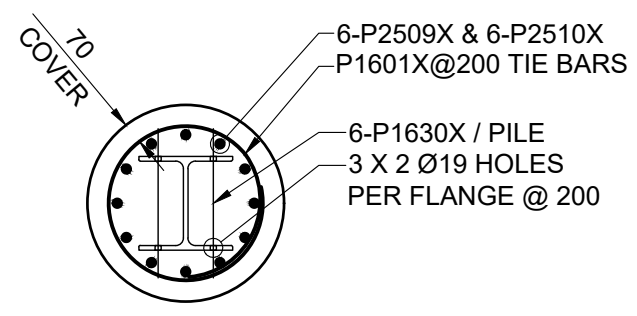


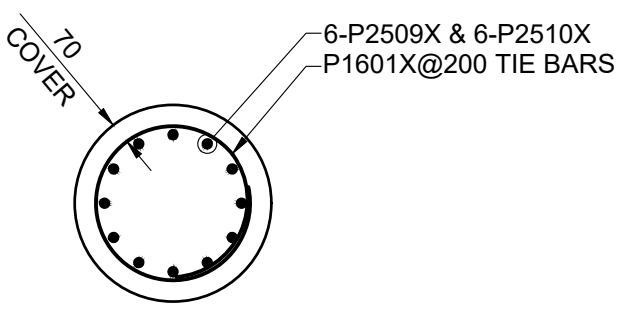
ISO A1 - 594mm x 841mm



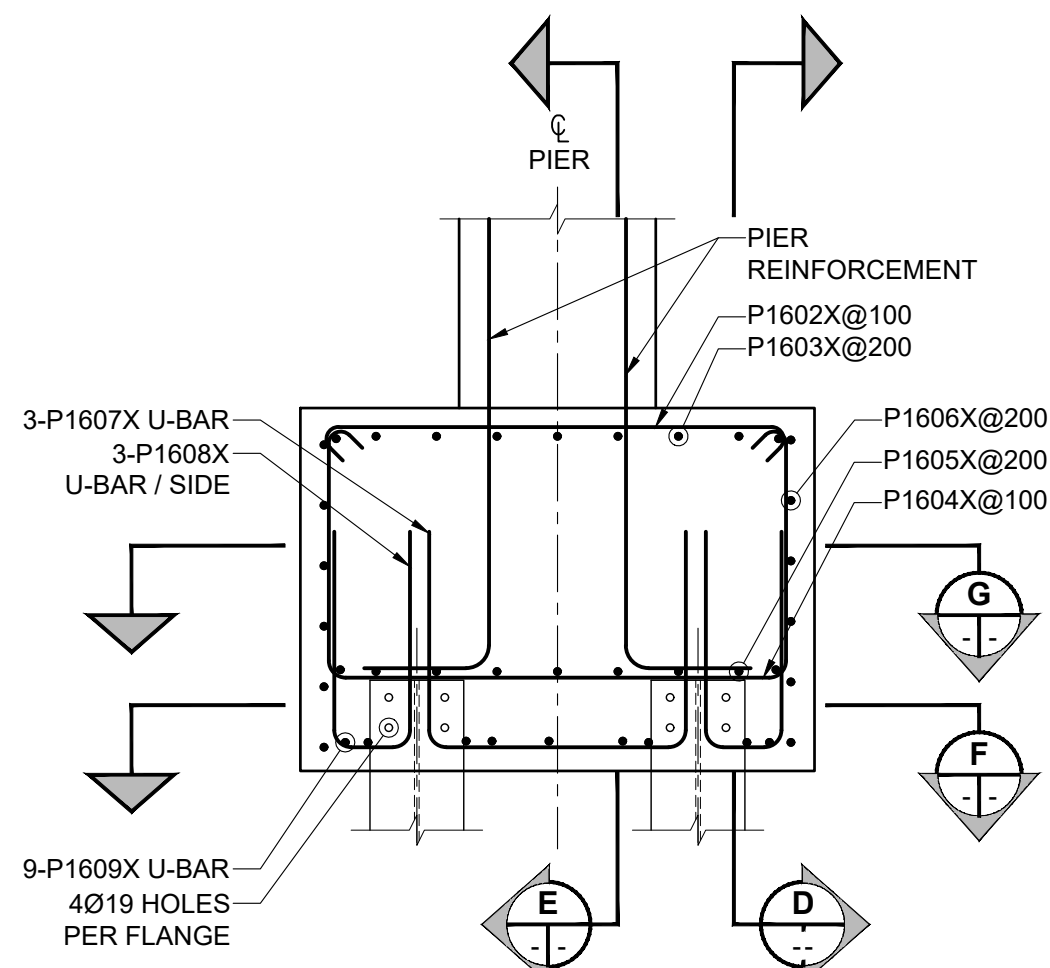
**SECTION A**  
SCALE: 1:25



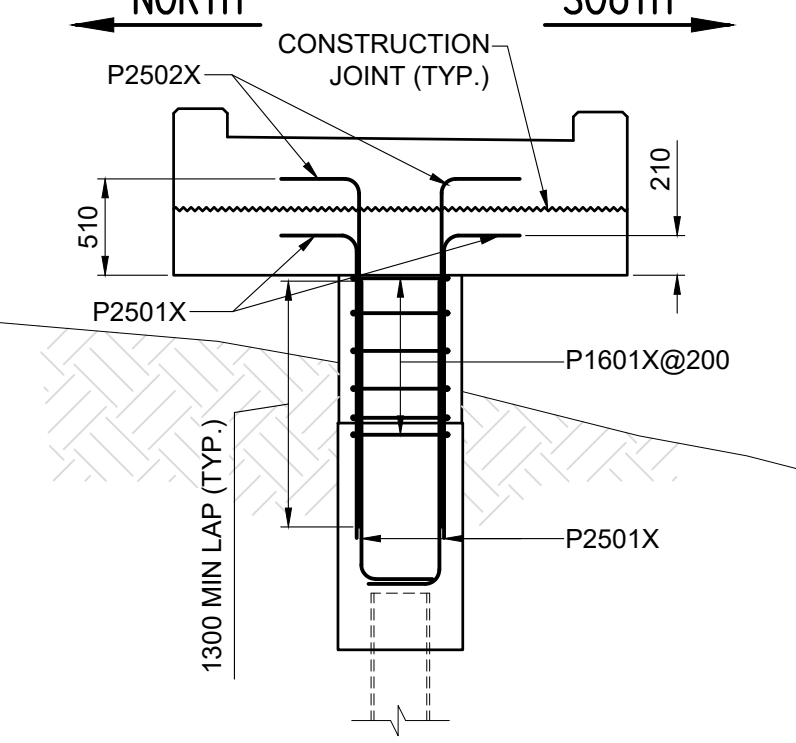
**SECTION B**  
SCALE: 1:25



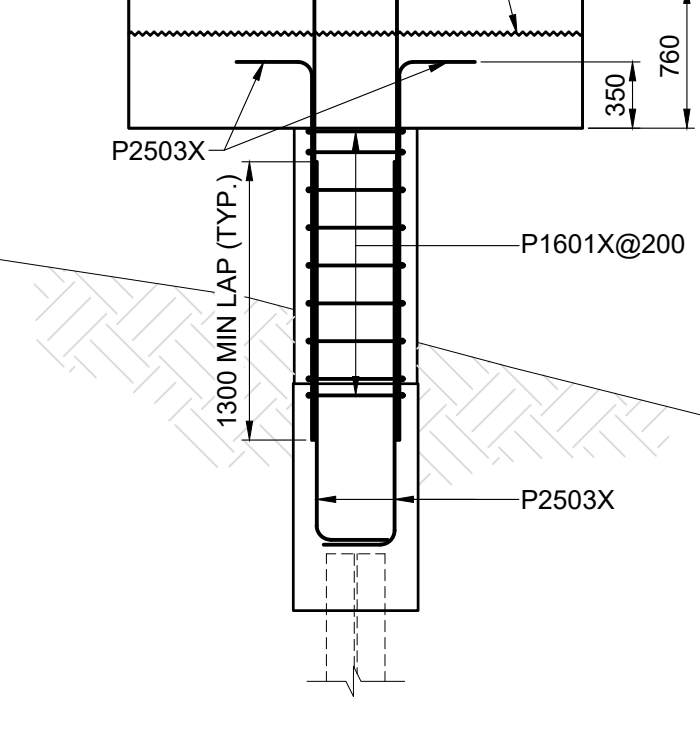
**SECTION C**  
SCALE: 1:25



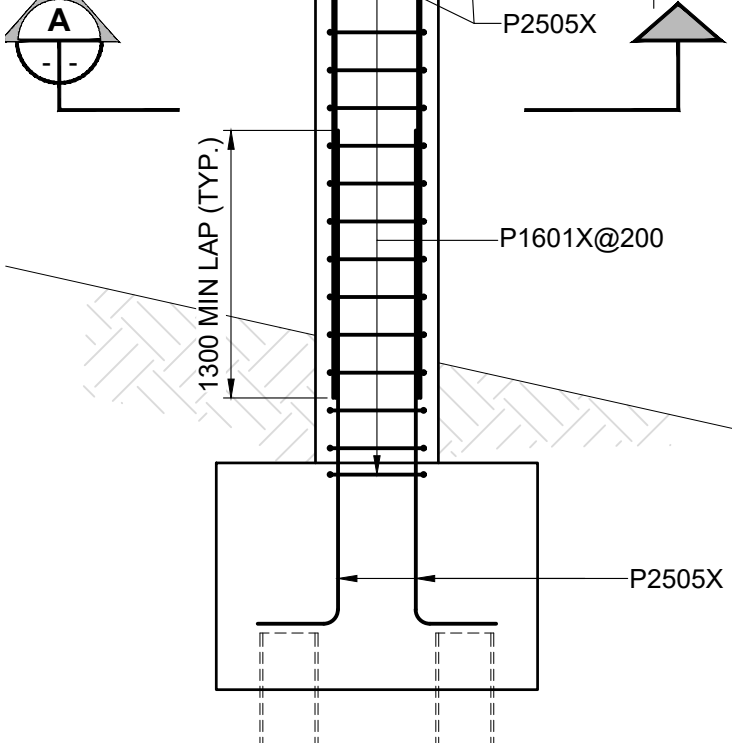
**ELEVATION VIEW**  
PIER AT SU-2  
SCALE: 1:40



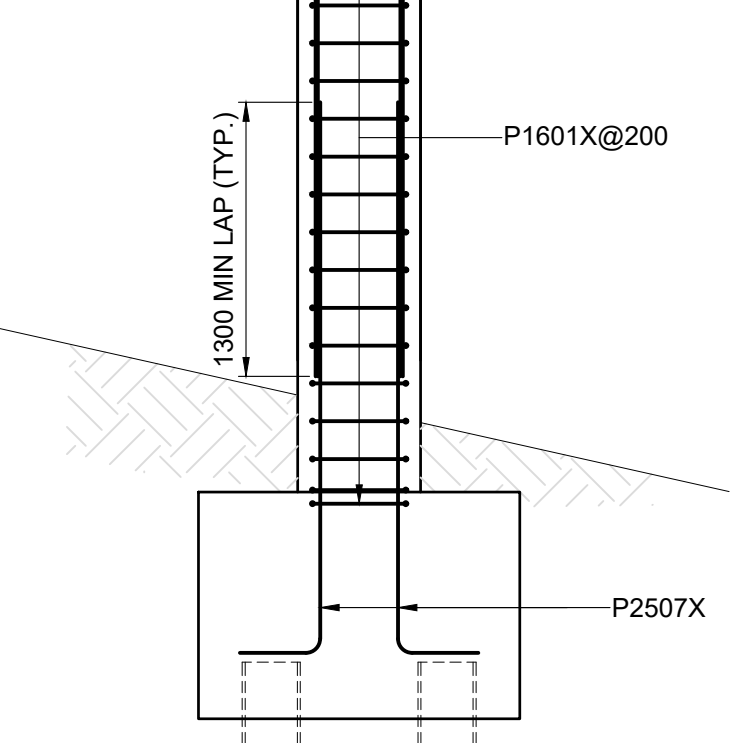
**WEST ELEVATION**  
PIER AT SU-3  
SCALE: 1:40



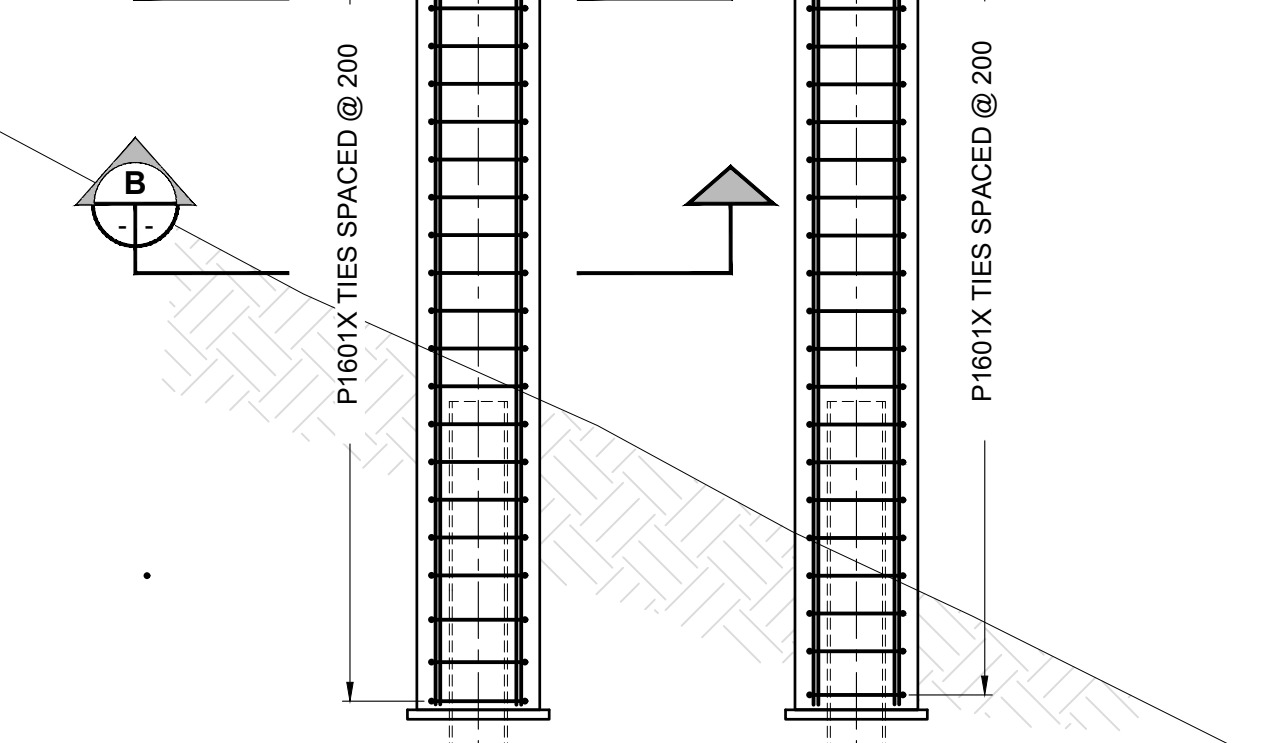
**WEST ELEVATION**  
PIER AT SU-3  
SCALE: 1:40



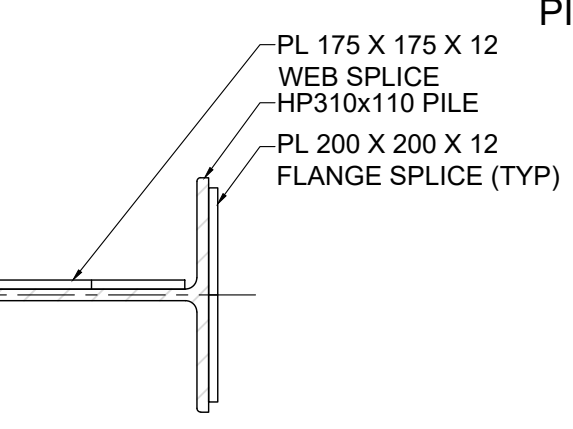
**WEST ELEVATION**  
PIER AT SU-4  
SCALE: 1:40



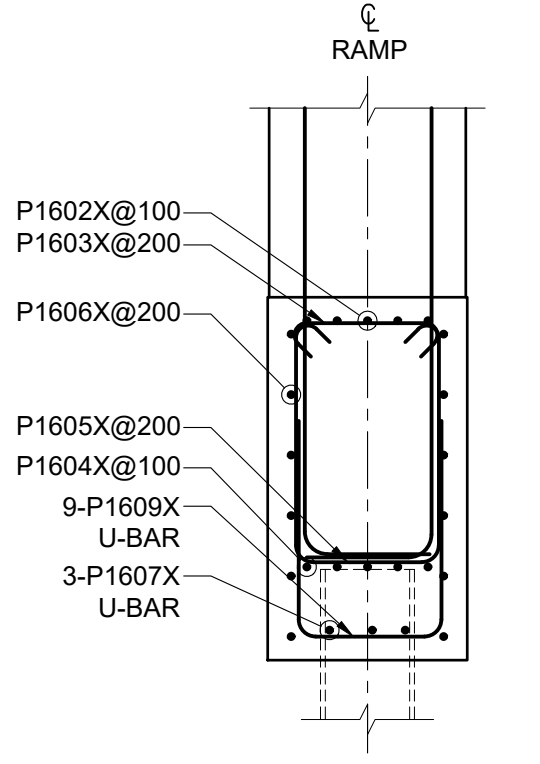
**WEST ELEVATION**  
PIER AT SU-5  
SCALE: 1:40



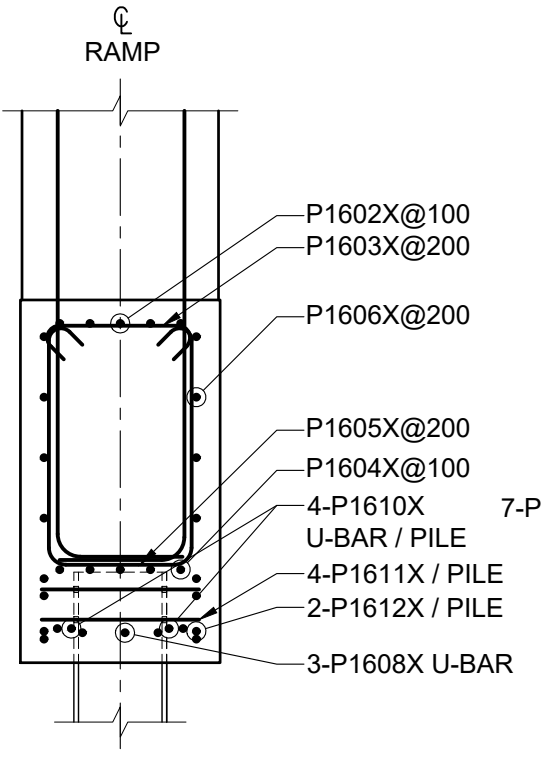
**WEST ELEVATION**  
PIER AT SU-6  
SCALE: 1:40



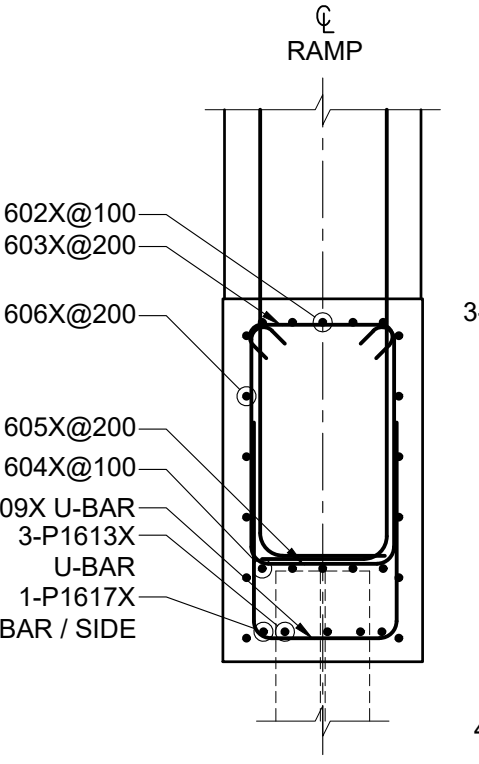
**PILE CAP AT SU-2**  
SCALE: 1:25



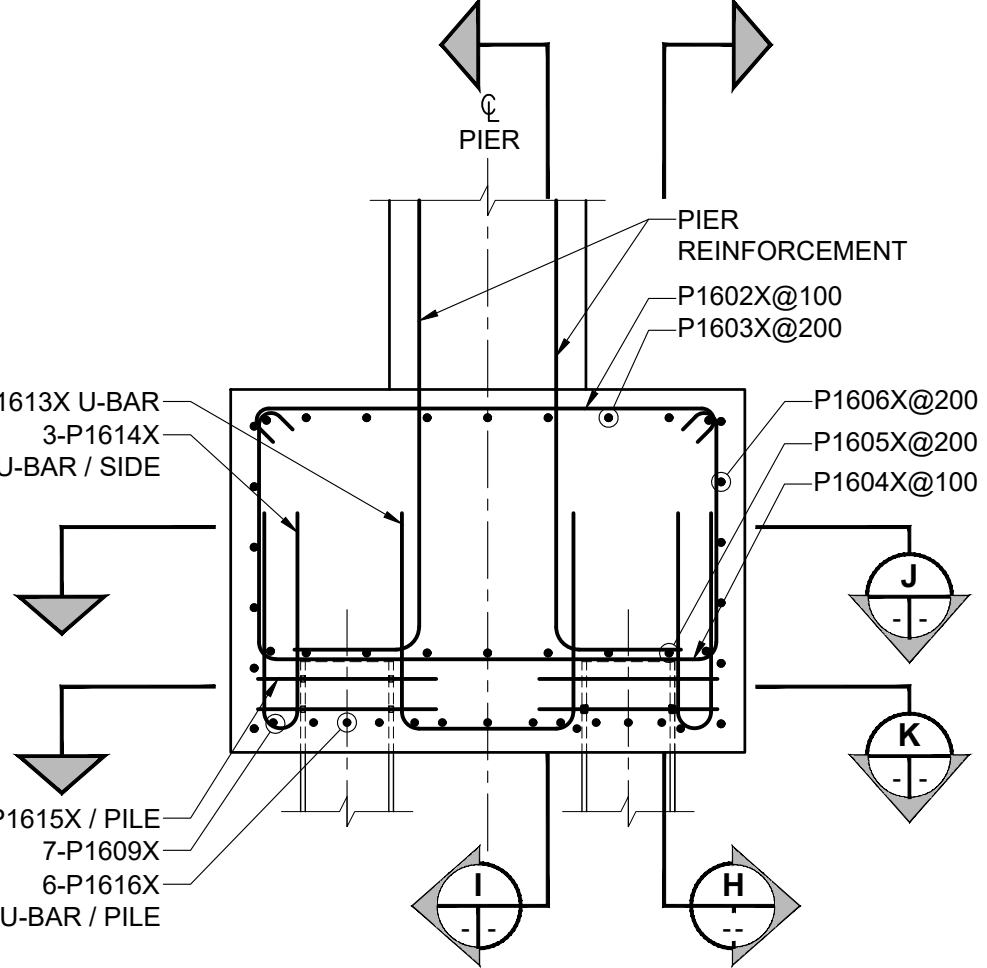
**SECTION E**  
SCALE: 1:25



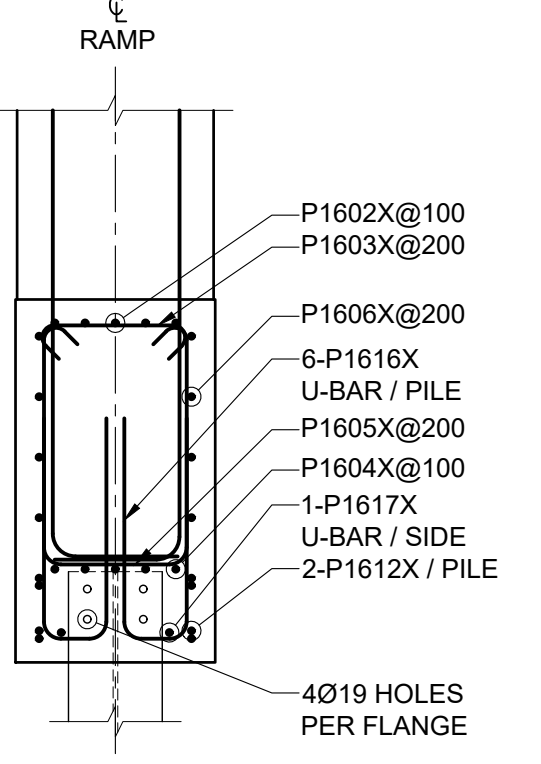
**SECTION D**  
SCALE: 1:25



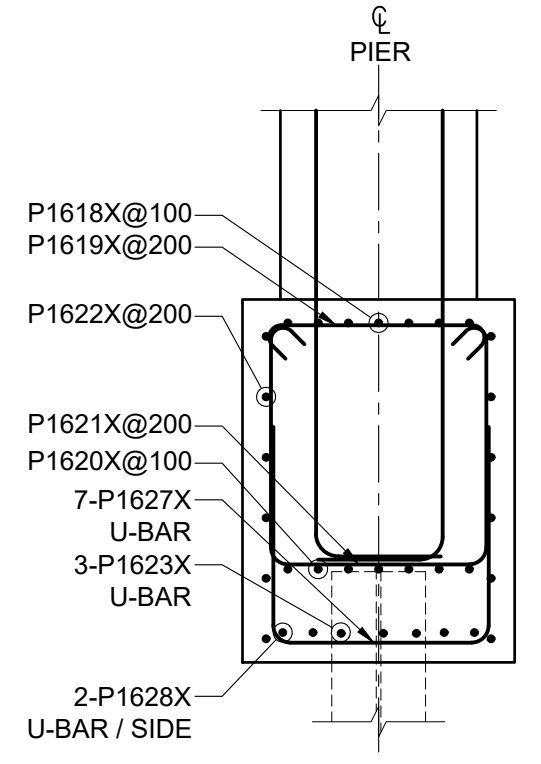
**SECTION I**  
SCALE: 1:25



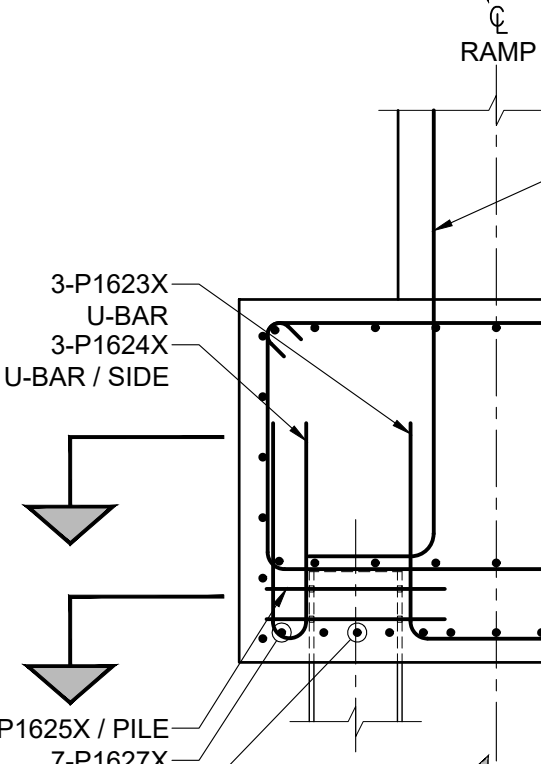
**ELEVATION VIEW**  
PILE CAP AT SU-3  
SCALE: 1:25



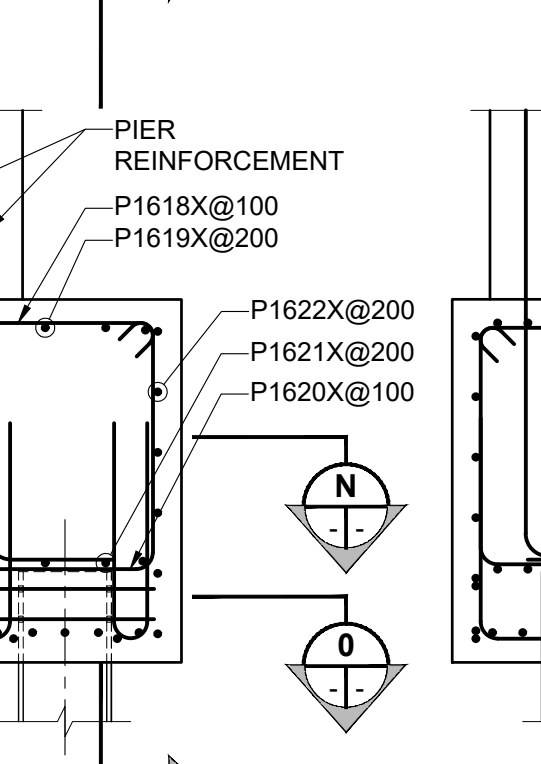
**SECTION H**  
SCALE: 1:25



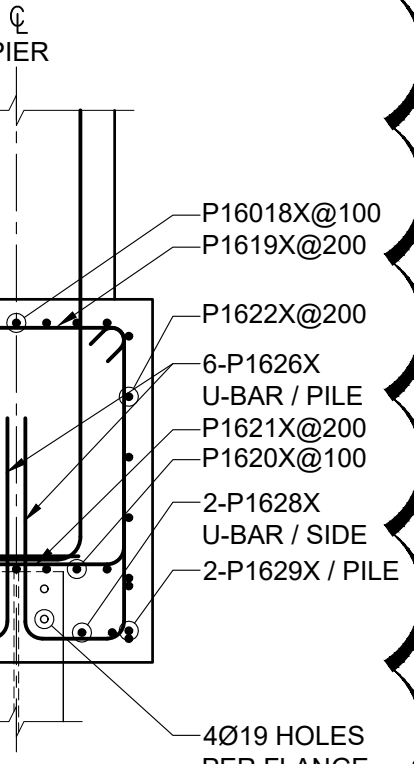
**SECTION M**  
SCALE: 1:25



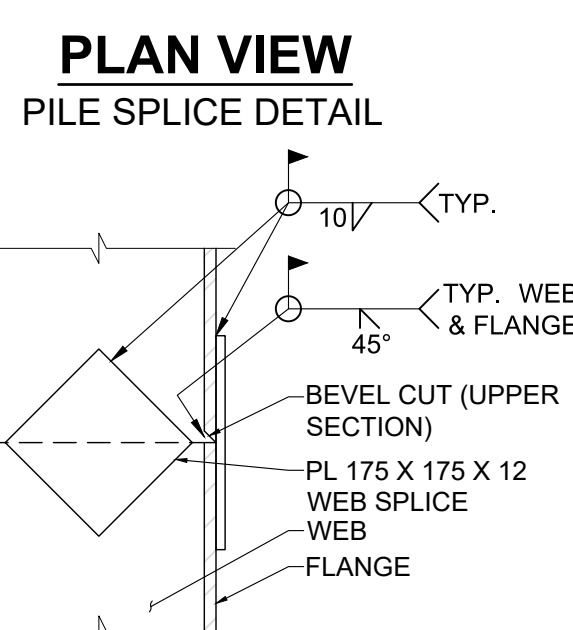
**ELEVATION VIEW**  
PILE CAP AT SU-4, SU-5  
SCALE: 1:25



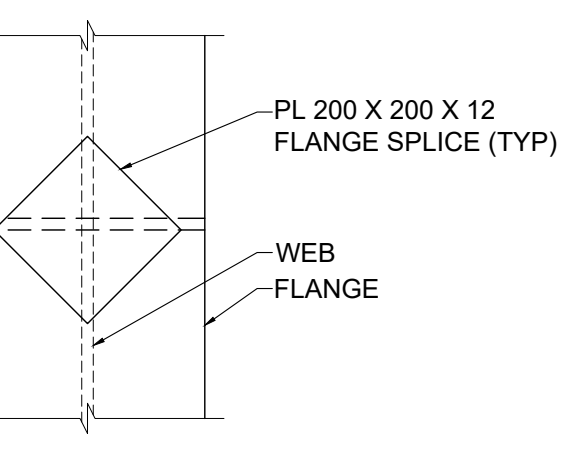
**SECTION N**  
SCALE: 1:25



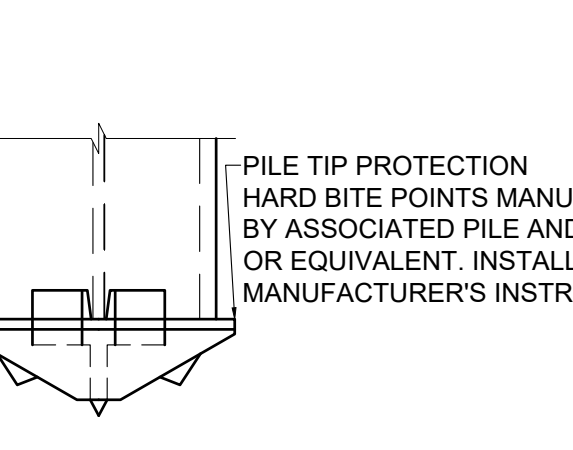
**SECTION L**  
SCALE: 1:25



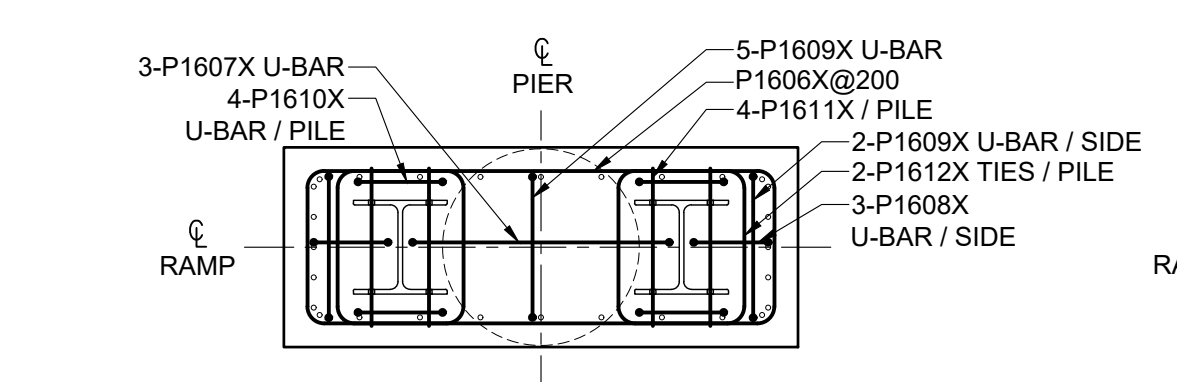
**PLAN VIEW**  
PILE SPLICE DETAIL



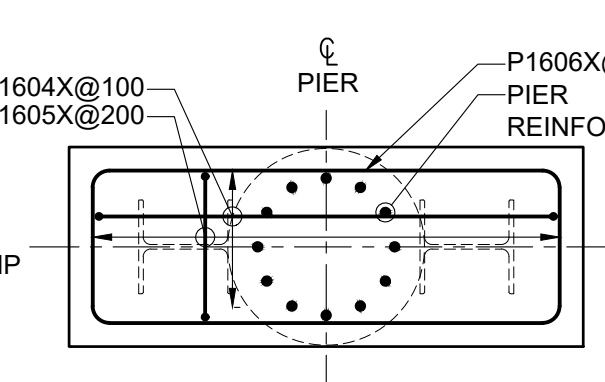
**FRONT VIEW**  
PILE SPLICE DETAIL



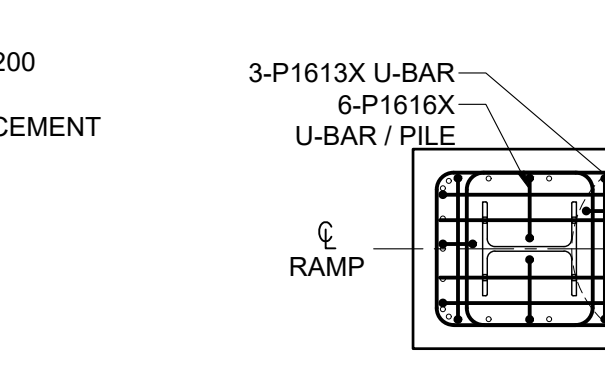
**SIDE VIEW**  
PILE SPLICE DETAIL



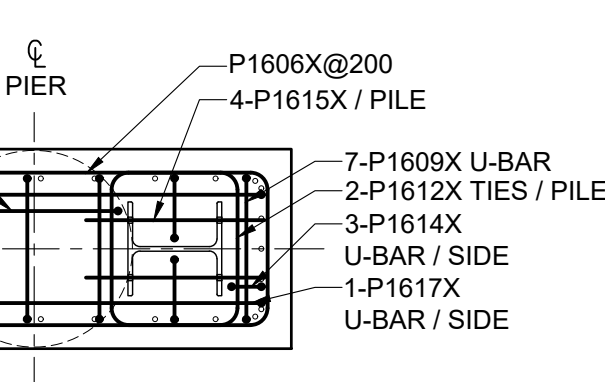
**SECTION F**  
SCALE: 1:25



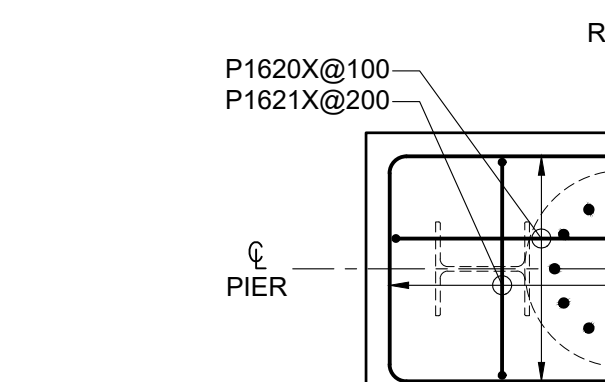
**SECTION J**  
SCALE: 1:25



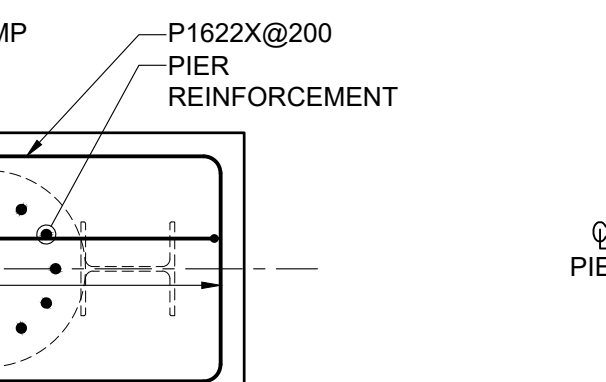
**SECTION K**  
SCALE: 1:25



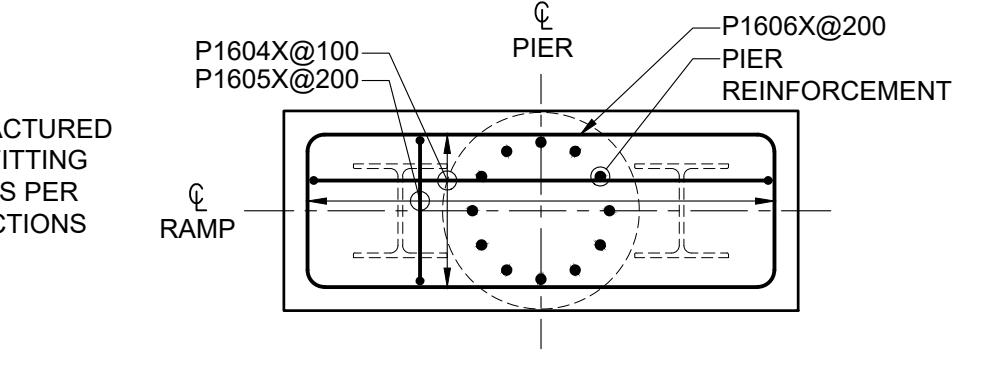
**SECTION O**  
SCALE: 1:25



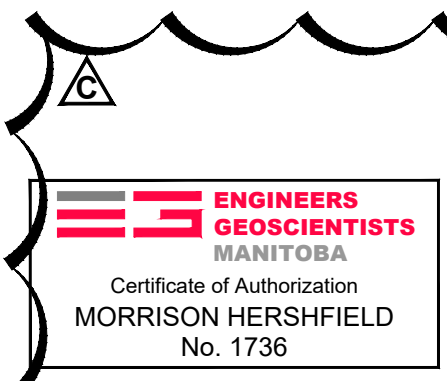
**SECTION P**  
SCALE: 1:25



**SECTION Q**  
SCALE: 1:25



**SECTION G**  
SCALE: 1:25



**PILE TIP PROTECTION**  
SCALE: 1:10

**LOCATION APPROVED**  
UNDERGROUND STRUCTURES  
SUPERVISOR: \_\_\_\_\_ DATE: \_\_\_\_\_  
COMMITTEE: \_\_\_\_\_  
**NOTE:**  
LOCATION OF UNDERGROUND STRUCTURES AS SHOWN ARE BASED ON THE BEST INFORMATION AVAILABLE BUT NO GUARANTEE IS GIVEN THAT ALL EXISTING UTILITIES ARE SHOWN OR THAT THE GIVEN LOCATIONS ARE EXACT. CONFIRMATION OF EXISTENCE AND EXACT LOCATION OF ALL SERVICES MUST BE OBTAINED FROM THE INDIVIDUAL UTILITIES BEFORE PROCEEDING WITH CONSTRUCTION.

**ENGINEERS**  
**GEOSCIENTISTS**  
Certificate of Authorization  
**MORRISON HERSHFIELD**  
No. 1736

**METRIC**  
WHOLE NUMBERS INDICATE MILLIMETRES  
DECIMAL NUMBERS INDICATE METRES

No.	REVISIONS	DATE	BY
C	ISSUED FOR ADDENDUM 1	18/10/05	BAP
B	ISSUED FOR TENDER	18/09/04	BAP
A	ISSUED FOR 95% DESIGN REVIEW	18/08/07	BAP

DESIGNED BY	Y.M.	CHECKED BY	A.F.
DRAWN BY	ALP	APPROVED BY	BAP
HOR SCALE	AS SHOWN	RELEASED FOR CONSTRUCTION	N/A
VERT SCALE	AS SHOWN		

PROFESSIONAL'S SEAL  
**PROVINCE OF MANITOBA**  
**A. FATHI**  
Member  
41159  
REGISTERED PROFESSIONAL ENGINEER  
CONSULTANT FILE NAME  
W160034 - DD NR.DWG

**THE CITY OF WINNIPEG**  
**PUBLIC WORKS DEPARTMENT**  
**ENGINEERING DIVISION**  
**EMPRESS STREET PROJECT**  
**PEDESTRIAN ACCESSIBILITY RAMPS**  
**NORTH RAMP**  
**PILE CAP AND PIER REINFORCING DETAILS**  
CITY DRAWING NUMBER: P-3494-142  
SHEET OF: 142 OF 169  
DRAWING No.: 142  
REV: C

BID OPPORTUNITY No. 602-2016