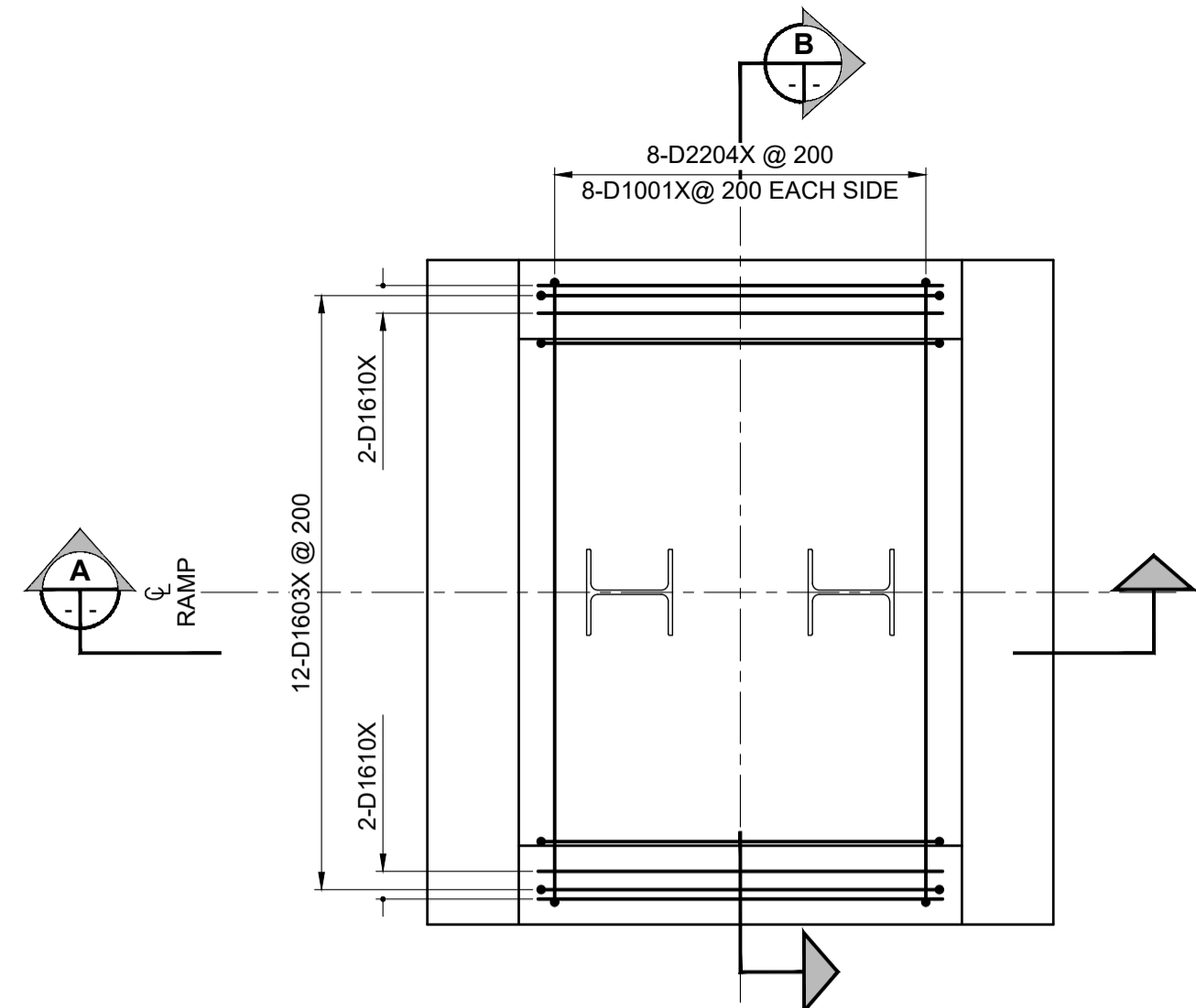
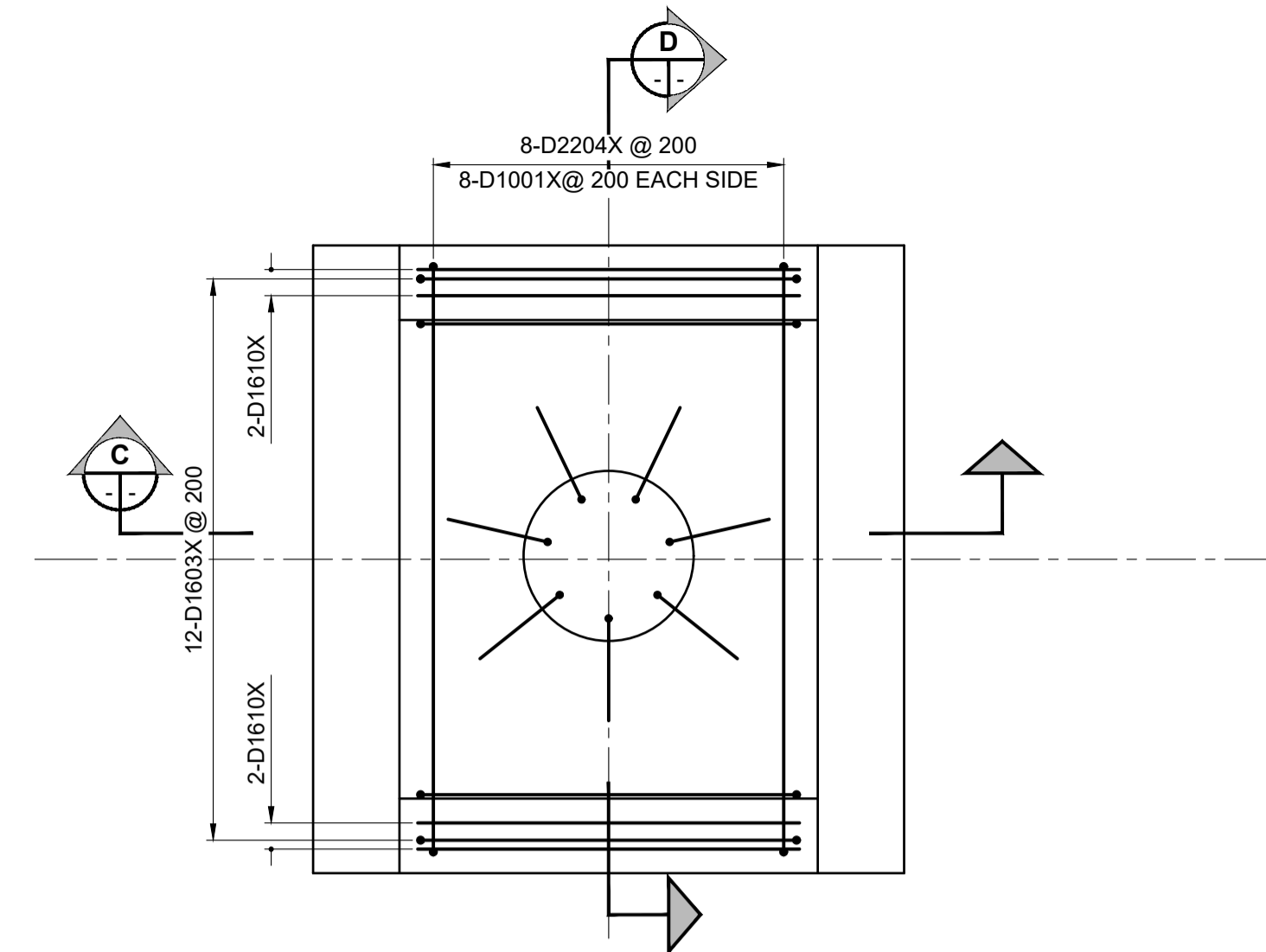


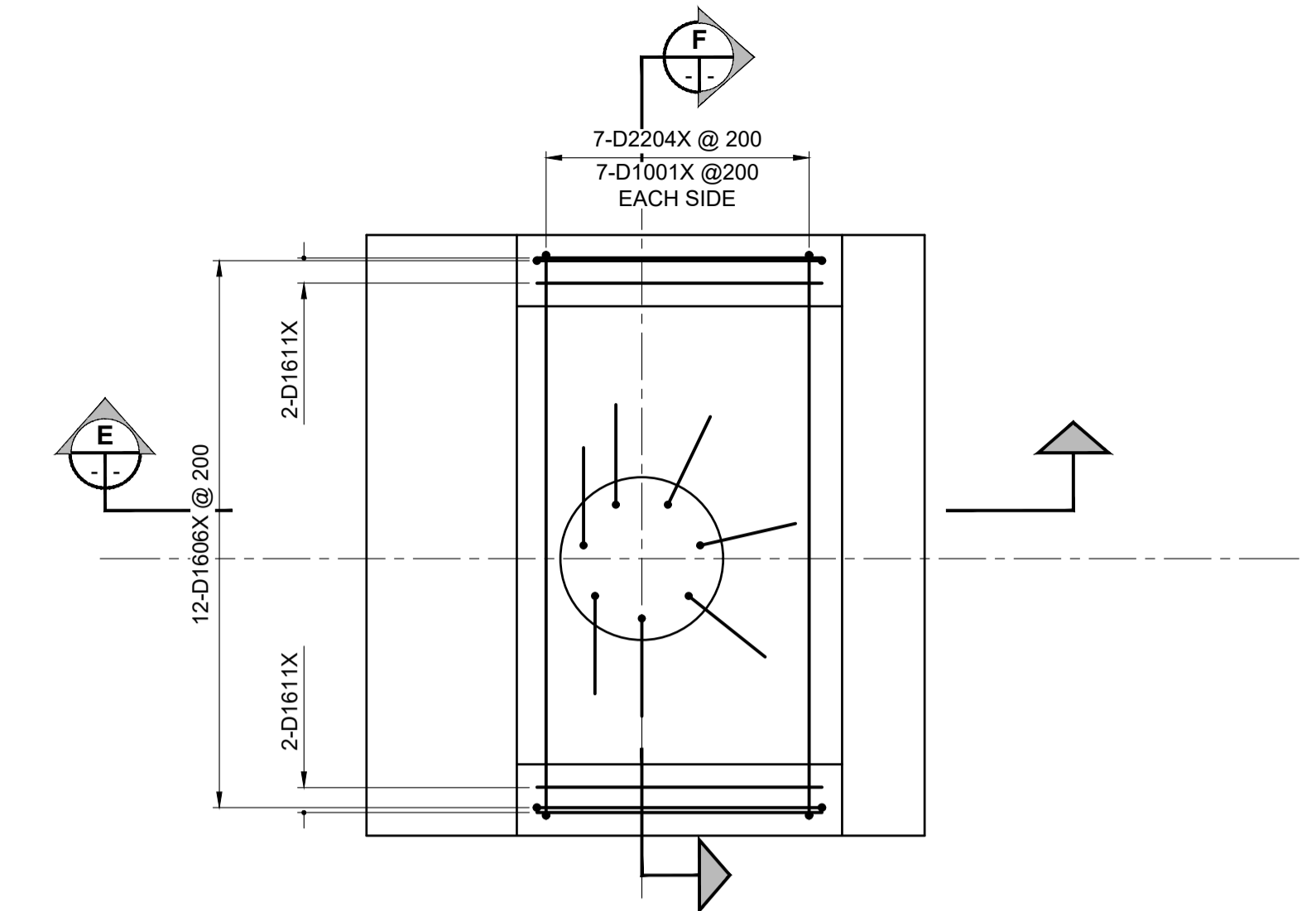
ISO A1 - 594mm x 841mm



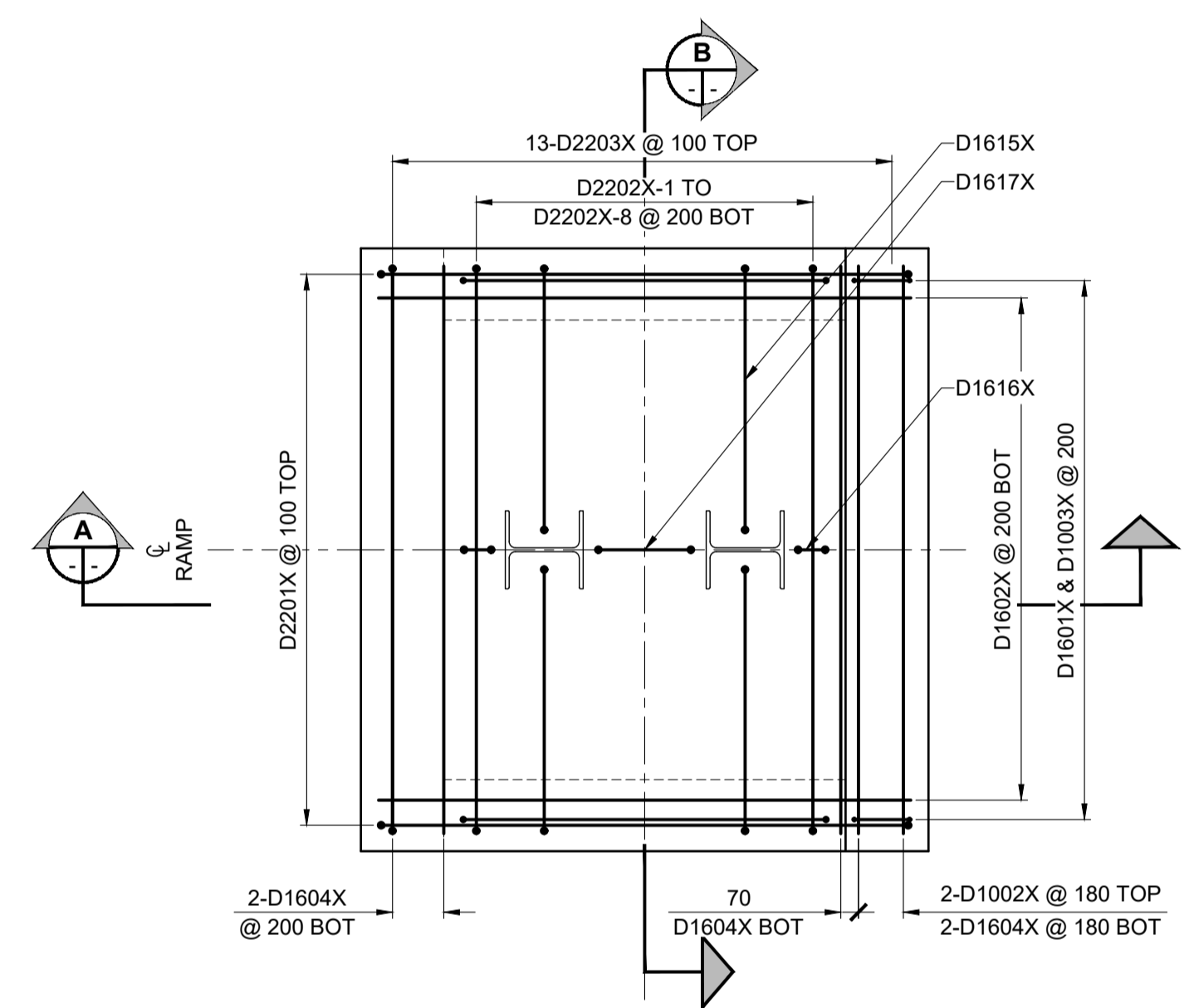
SU-1 ABUTMENT REINFORCING
DETAILS PLAN POUR 2
SCALE 1:25



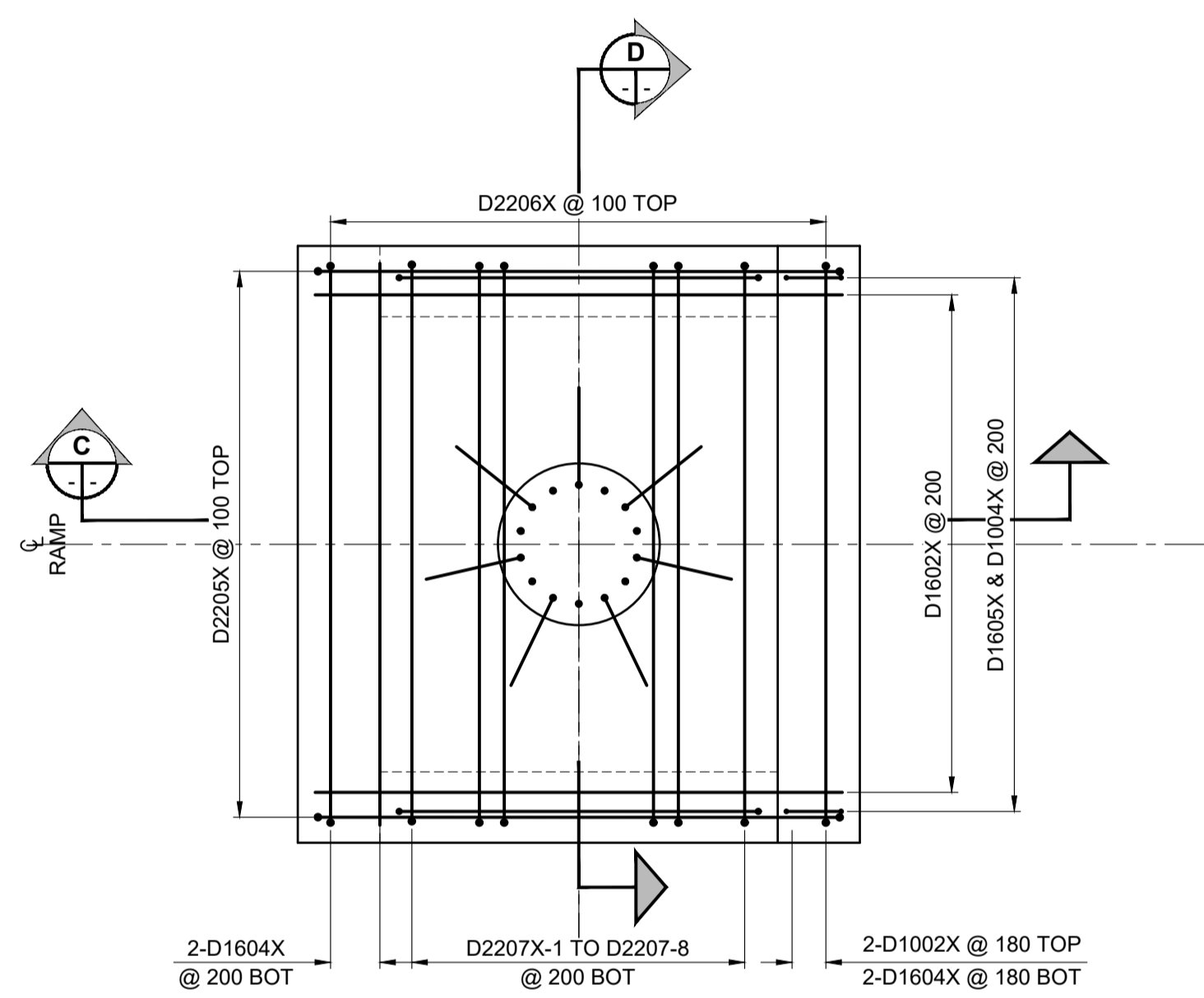
SU-2, SU-4, SU-5 DIAPHRAGM REINFORCING
DETAILS PLAN POUR 2
SCALE 1:25



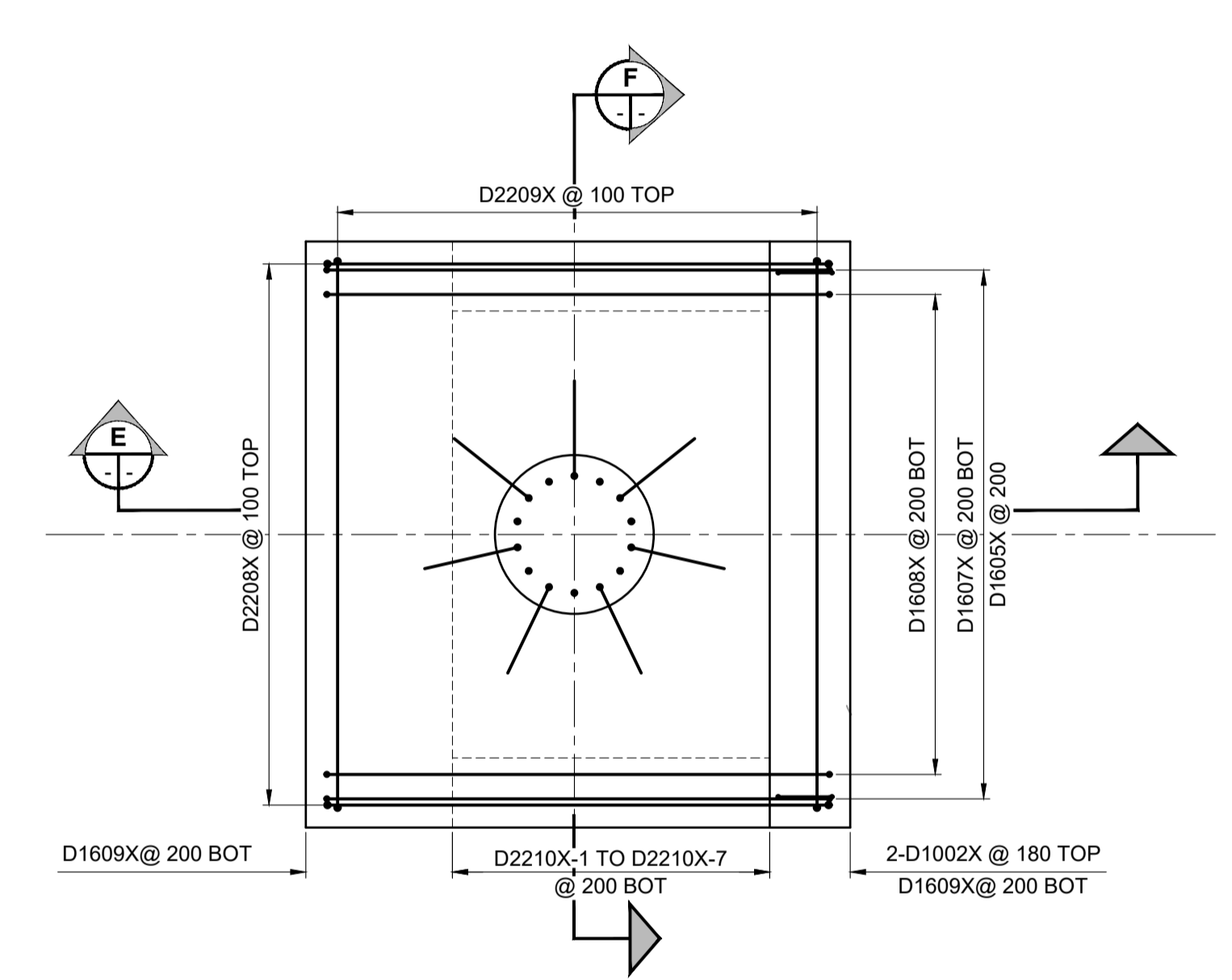
SU-3 DIAPHRAGM REINFORCING
DETAILS PLAN POUR 2
SCALE 1:25



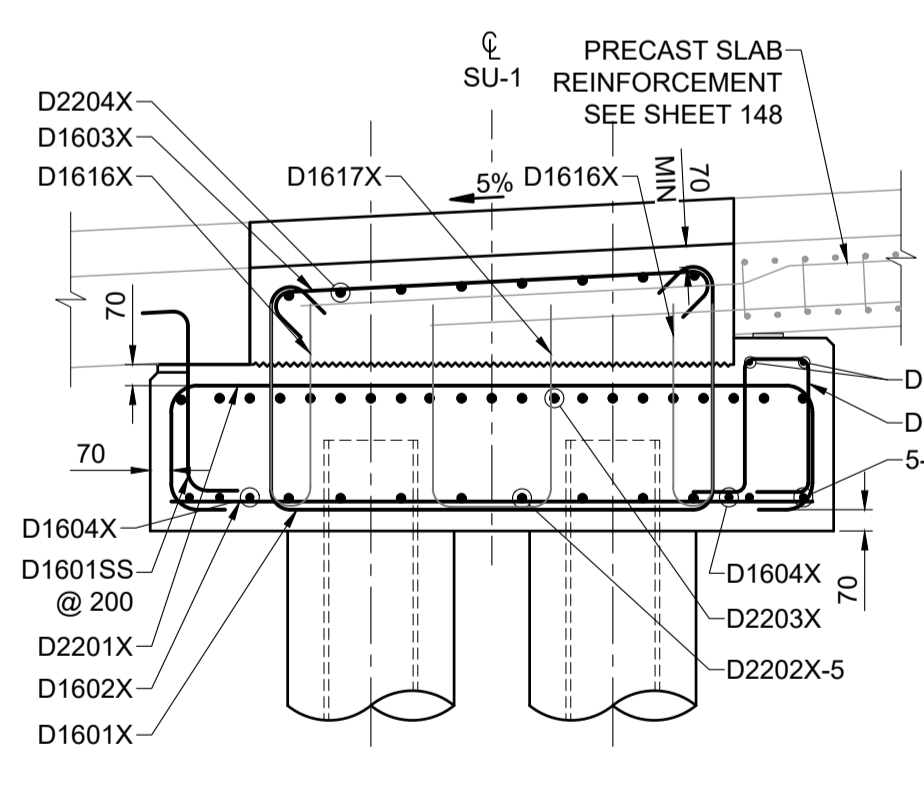
SU-1 PILE CAP REINFORCING
DETAILS PLAN POUR 1
SCALE 1:25



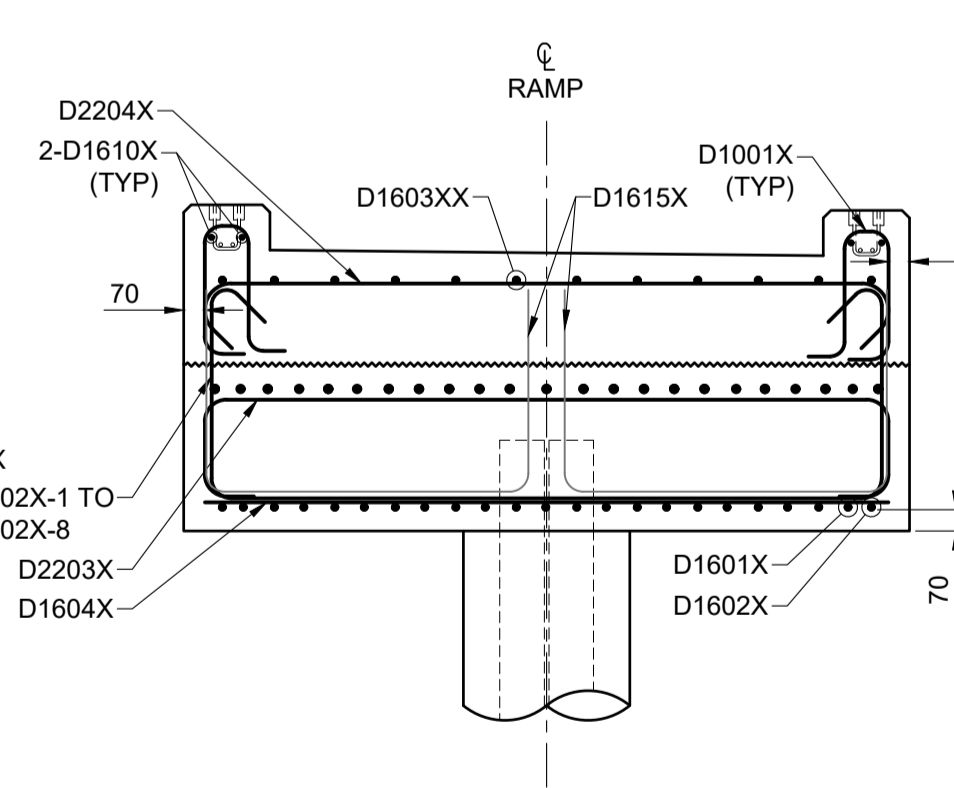
SU-2, SU-4, SU-5 PIER CAP REINFORCING
DETAILS PLAN POUR 1
SCALE 1:25



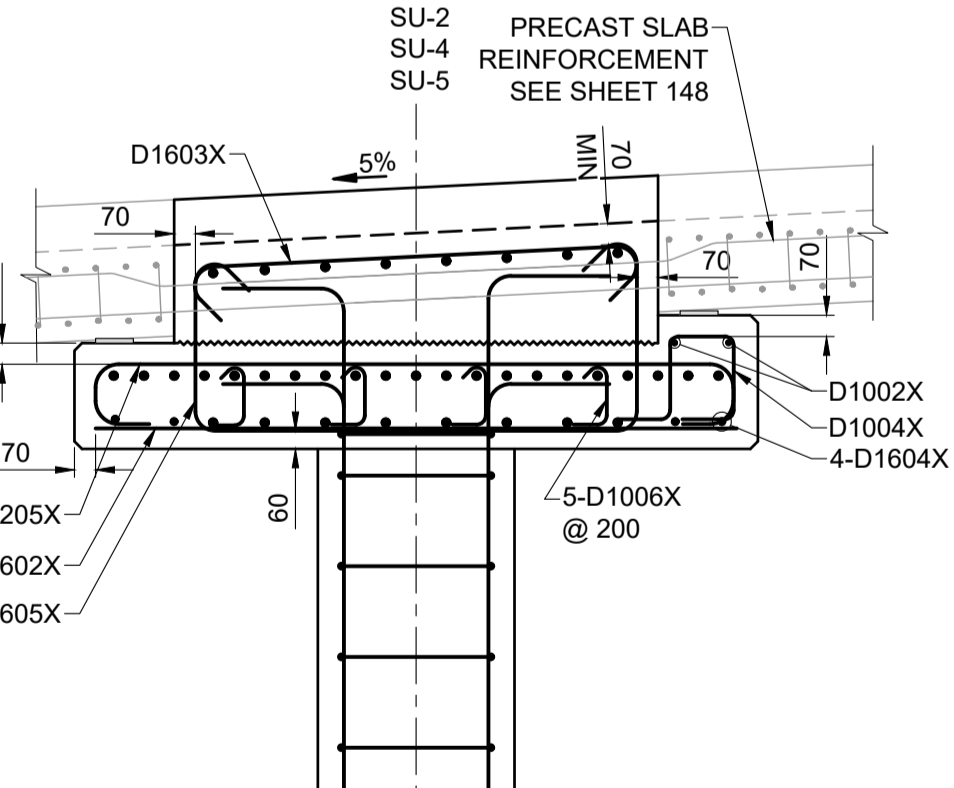
SU-3 PIER CAP REINFORCING
DETAILS PLAN POUR 1
SCALE 1:25



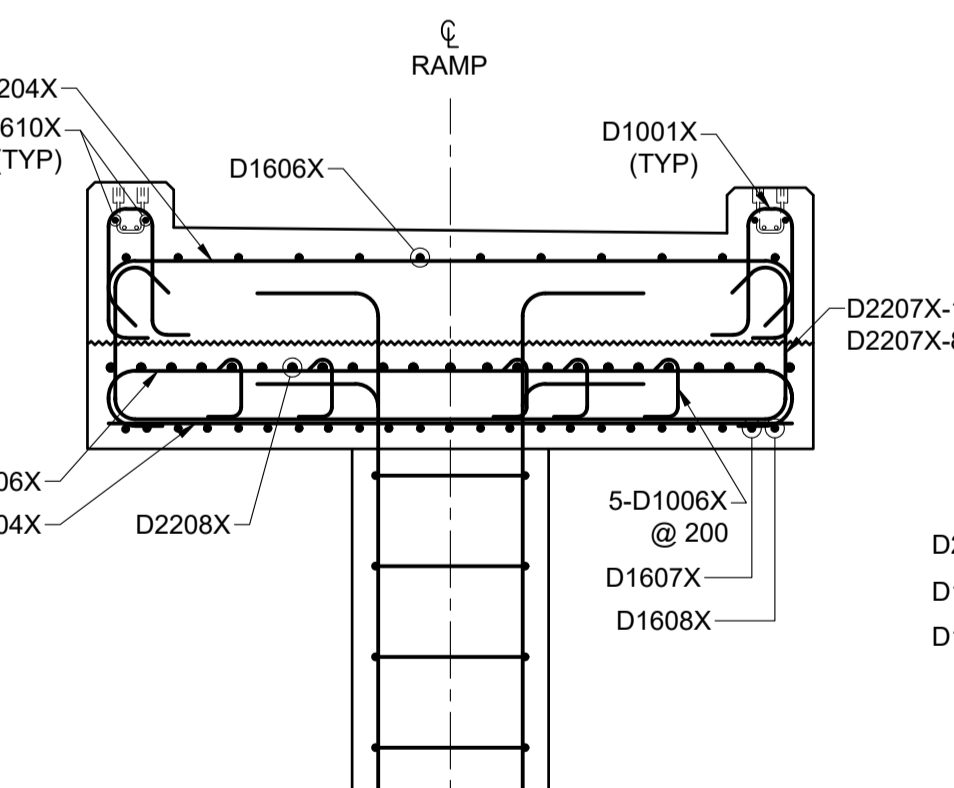
SECTION A
SU-1 ABUTMENT
SCALE: 1:25



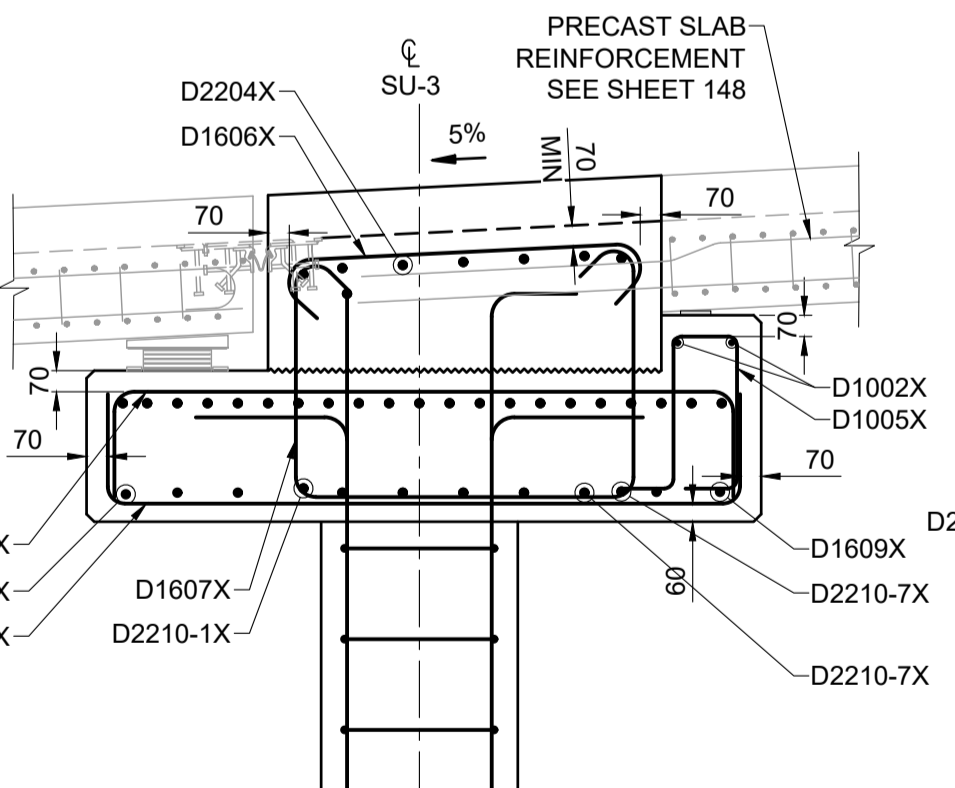
SECTION B
SU-1 ABUTMENT
SCALE: 1:25



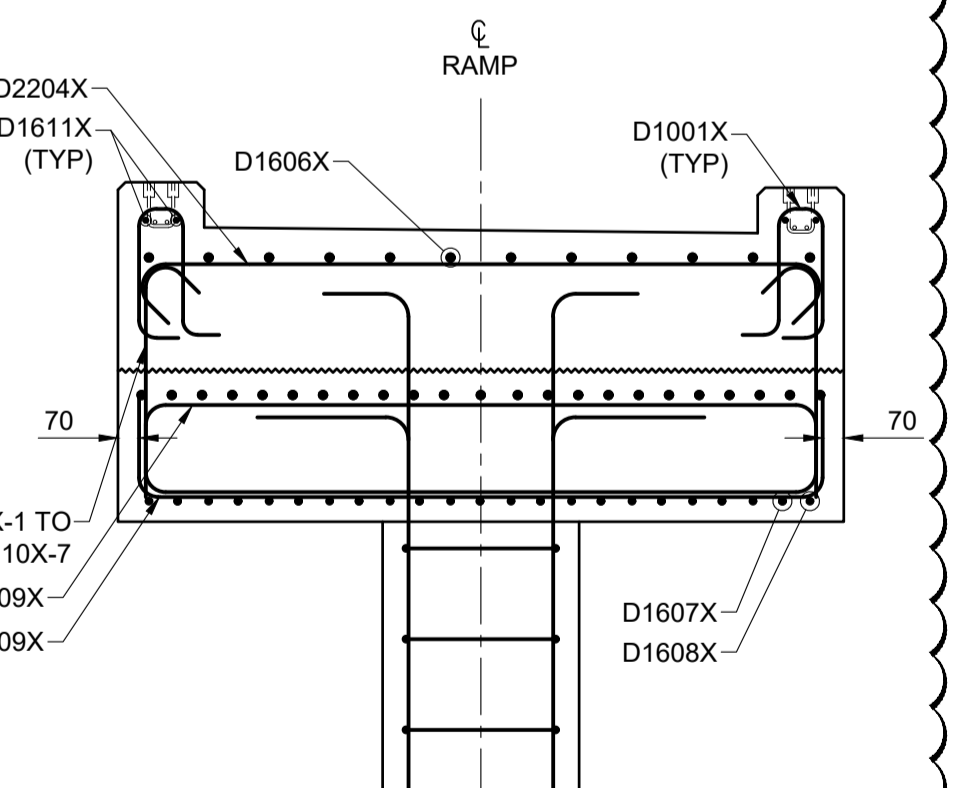
SECTION C
SU-2, SU-4, SU-5 DIAPHRAGM
SCALE: 1:25



SECTION D
SU-2, SU-4, SU-5 DIAPHRAGM
SCALE: 1:25



SECTION E
SU-3 DIAPHRAGM
SCALE: 1:25



SECTION F
SU-3 DIAPHRAGM
SCALE: 1:25

NOTES:
1. DEFLECT BARS AROUND DRAINS AND PIER BARS AS REQUIRED.

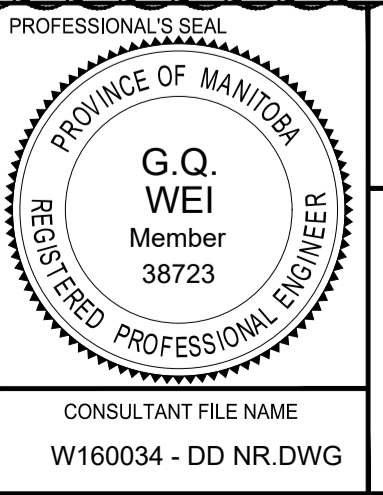


METRIC
WHOLE NUMBERS INDICATE MILLIMETRES
DECIMALIZED NUMBERS INDICATE METRES

LOCATION APPROVED
UNDERGROUND STRUCTURES
SUPER. U/G STRUCTURES COMMITTEE DATE
NOTE:
LOCATION OF UNDERGROUND STRUCTURES AS SHOWN ARE BASED ON THE BEST INFORMATION AVAILABLE BUT NO GUARANTEE IS GIVEN THAT ALL EXISTING UTILITIES ARE SHOWN OR THAT THE GIVEN LOCATIONS ARE EXACT. CONFIRMATION OF EXISTENCE AND EXACT LOCATION OF ALL SERVICES MUST BE OBTAINED FROM THE INDIVIDUAL UTILITIES BEFORE PROCEEDING WITH CONSTRUCTION.

No.	REVISIONS	DATE	BY
C	ISSUED FOR ADDENDUM 1	18/10/05	BAP
B	ISSUED FOR TENDER	18/09/04	BAP
A	ISSUED FOR 95% DESIGN REVIEW	18/08/07	BAP

DESIGNED BY	YM	CHECKED BY	GQW
DRAWN BY	ALP	APPROVED BY	BAP
HOR SCALE	AS SHOWN	RELEASED FOR CONSTRUCTION	N/A
VERT SCALE	AS SHOWN	DATE	



THE CITY OF WINNIPEG
PUBLIC WORKS DEPARTMENT
ENGINEERING DIVISION

EMPRESS STREET PROJECT
PEDESTRIAN ACCESSIBILITY RAMPS
NORTH RAMP
ABUTMENT AND DIAPHRAGM
REINFORCING DETAILS 1

CITY DRAWING NUMBER: P-3494-144
SHEET 144 OF 169
DRAWING No. 144 REV C

CONSULTANT FILE NAME: W160034 - DD NR.DWG