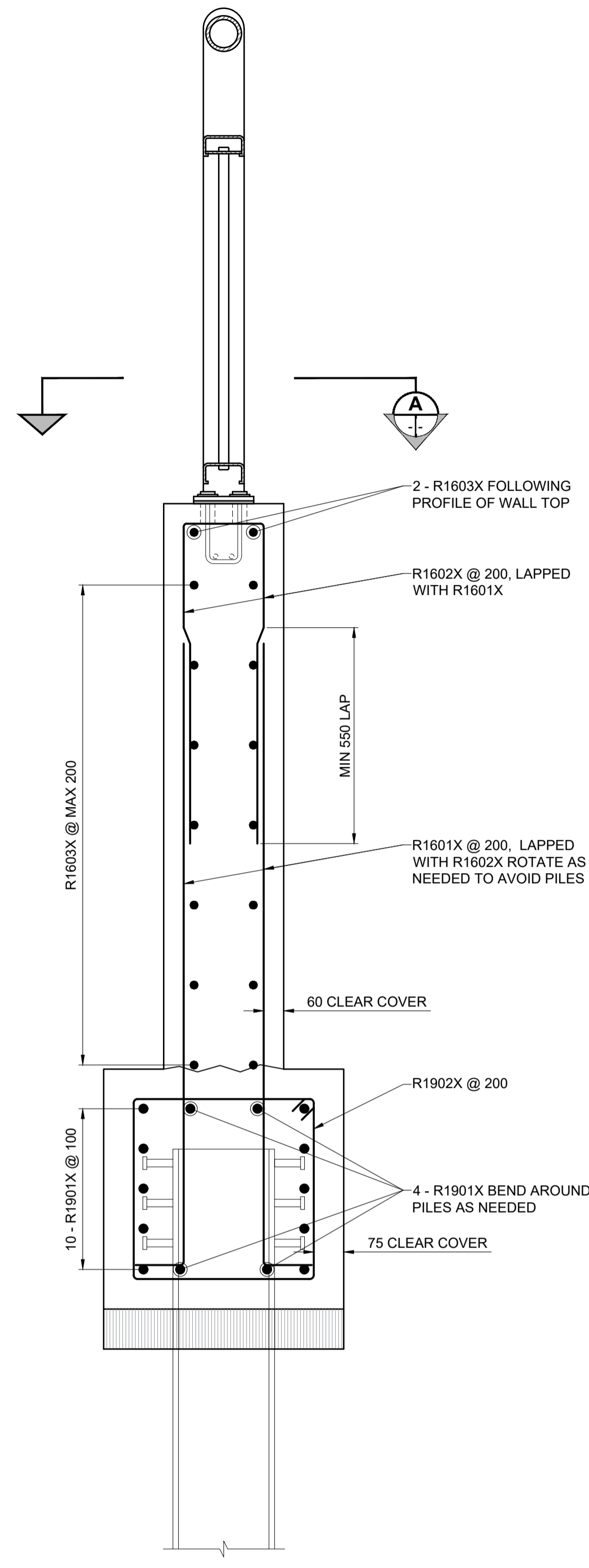
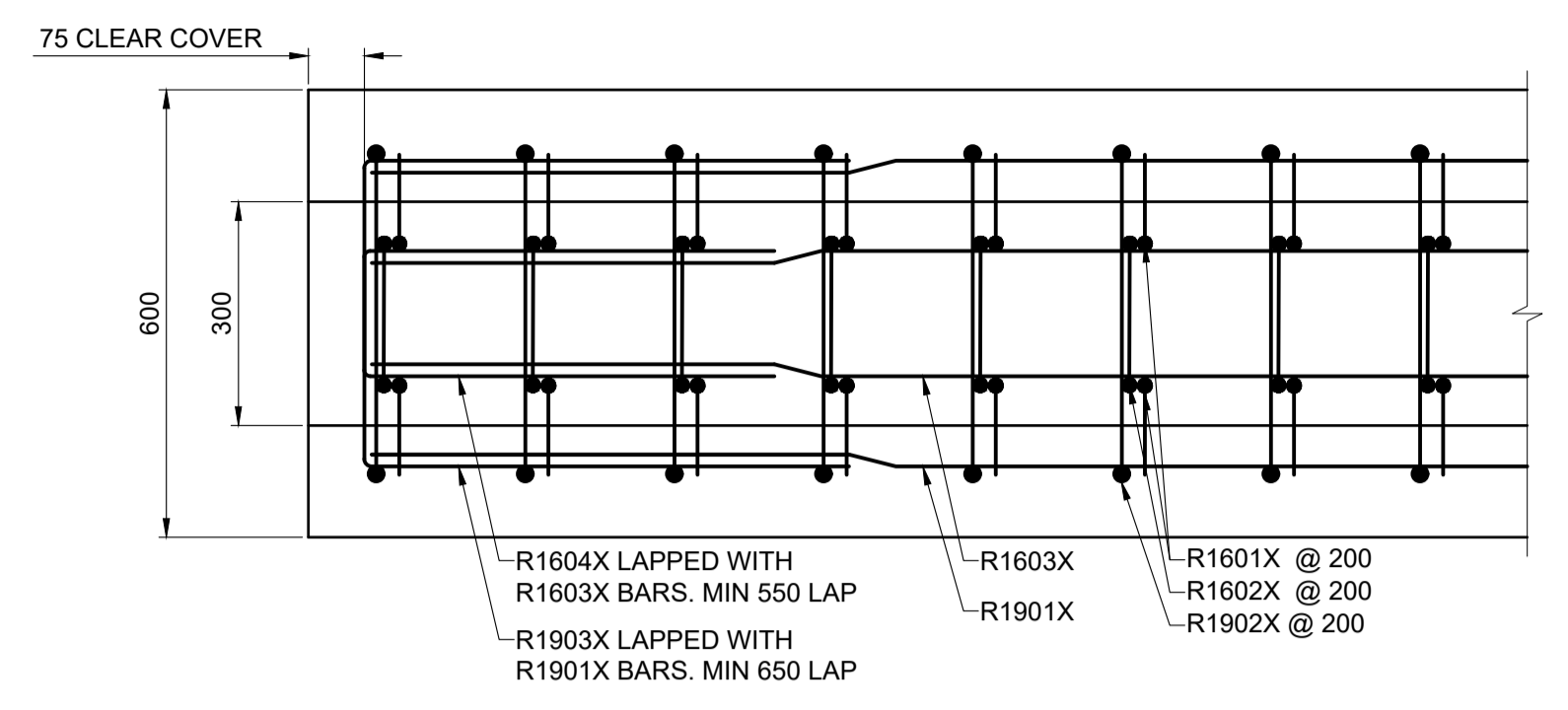


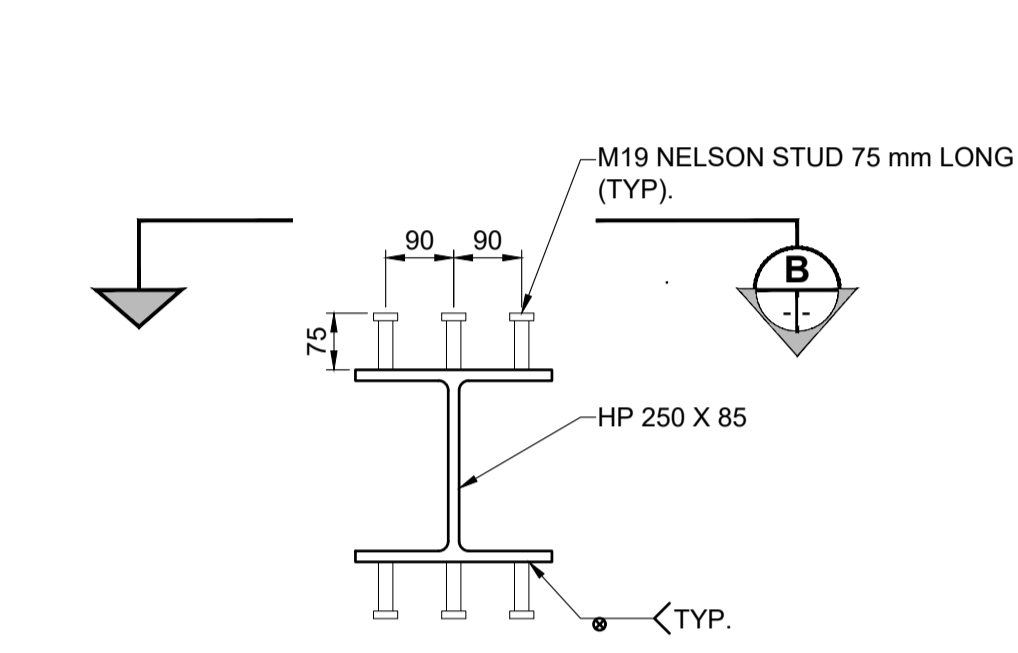
DETAIL - TYPICAL WALL
SCALE: 1:10



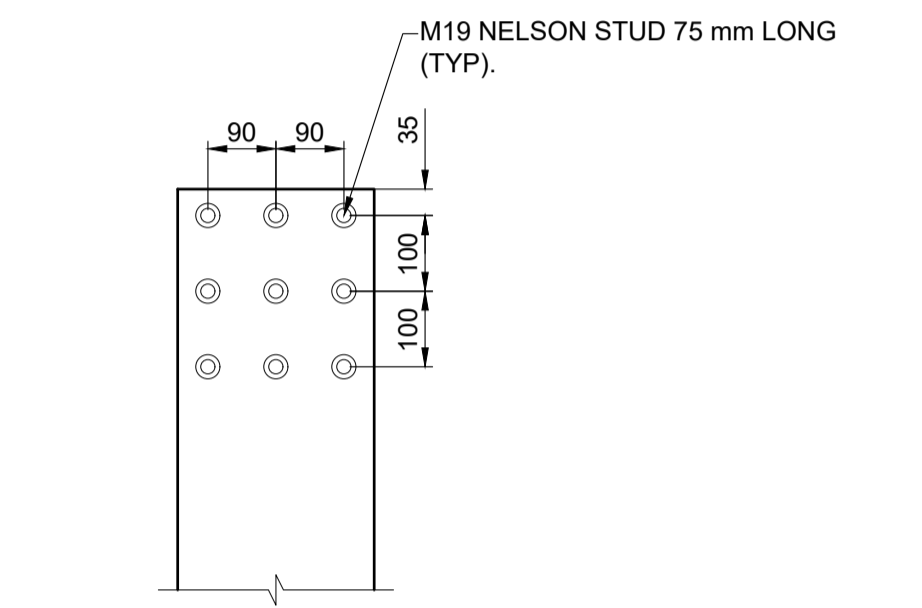
DETAIL - TYPICAL WALL REINFORCING
SCALE: 1:10



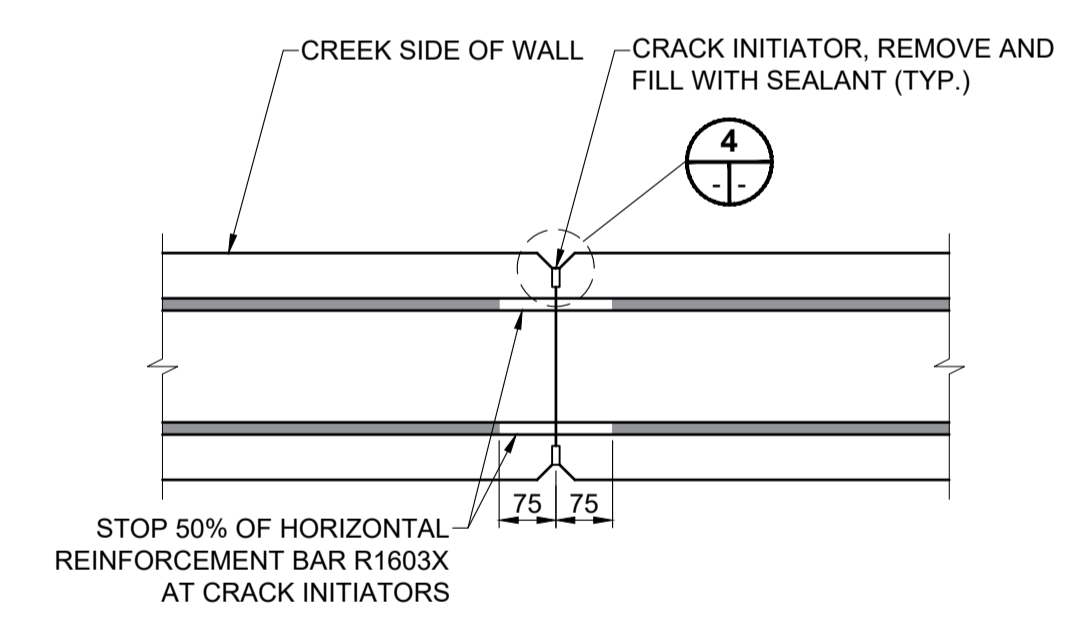
PLAN - TYPICAL WALL END REINFORCING
SCALE: 1:10



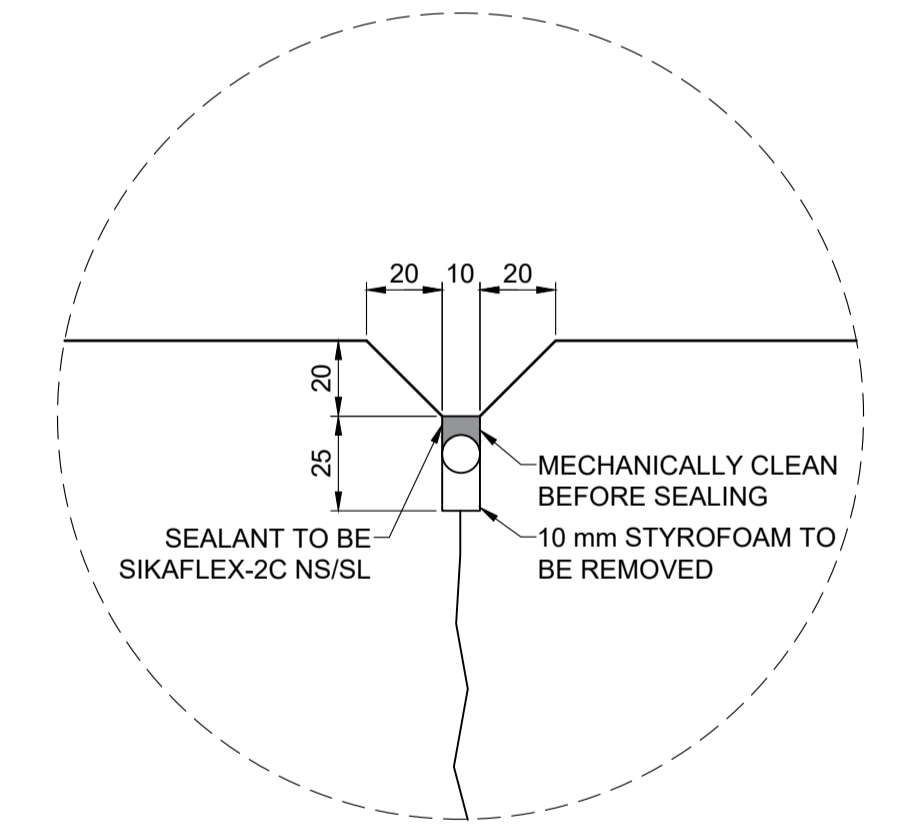
DETAIL - NELSON STUDS
SCALE: 1:10



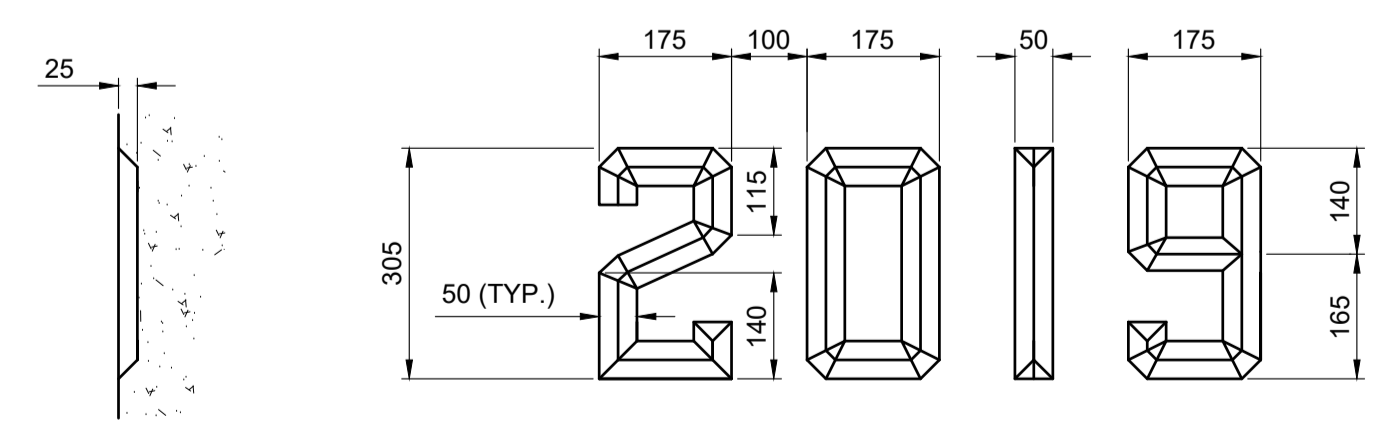
ELEVATION - NELSON STUD LAYOUT
SCALE: 1:10



DETAIL - TYPICAL CONTROL JOINT
SCALE: 1:10



DETAIL - TYPICAL CONTROL JOINT
SCALE: 1:2



DETAIL - DATE FIGURES
SCALE: 1:10



METRIC
WHOLE NUMBERS INDICATE MILLIMETRES
DECIMALIZED NUMBERS INDICATE METRES

LOCATION APPROVED UNDERGROUND STRUCTURES
SUPR. U/G STRUCTURES COMMITTEE
DATE: _____
NOTE: LOCATION OF UNDERGROUND STRUCTURES AS SHOWN ARE BASED ON THE BEST INFORMATION AVAILABLE BUT NO GUARANTEE IS GIVEN THAT ALL EXISTING UTILITIES ARE SHOWN OR THAT THE GIVEN LOCATIONS ARE EXACT. CONFIRMATION OF EXISTENCE AND EXACT LOCATION OF ALL SERVICES MUST BE OBTAINED FROM THE INDIVIDUAL UTILITIES BEFORE PROCEEDING WITH CONSTRUCTION.

No.	REVISIONS	DATE	BY
C	ISSUED FOR ADDENDUM 1	18/10/05	BAP
B	ISSUED FOR TENDER	18/09/04	BAP
A	ISSUED FOR 95% DESIGN REVIEW	18/08/07	BAP

MORRISON HERSHFIELD	
DESIGNED BY: AF	CHECKED BY: YM
DRAWN BY: TN	APPROVED BY: BAP
RELEASED FOR CONSTRUCTION	N/A
HOR SCALE: AS SHOWN	VERT SCALE: AS SHOWN



THE CITY OF WINNIPEG PUBLIC WORKS DEPARTMENT ENGINEERING DIVISION

**EMPRESS STREET PROJECT
EMPRESS STREET RETAINING WALL
CONCRETE AND REINFORCING DETAILS**

CITY DRAWING NUMBER: P-3494-163
SHEET 163 OF 169
DRAWING No. 163 REV C