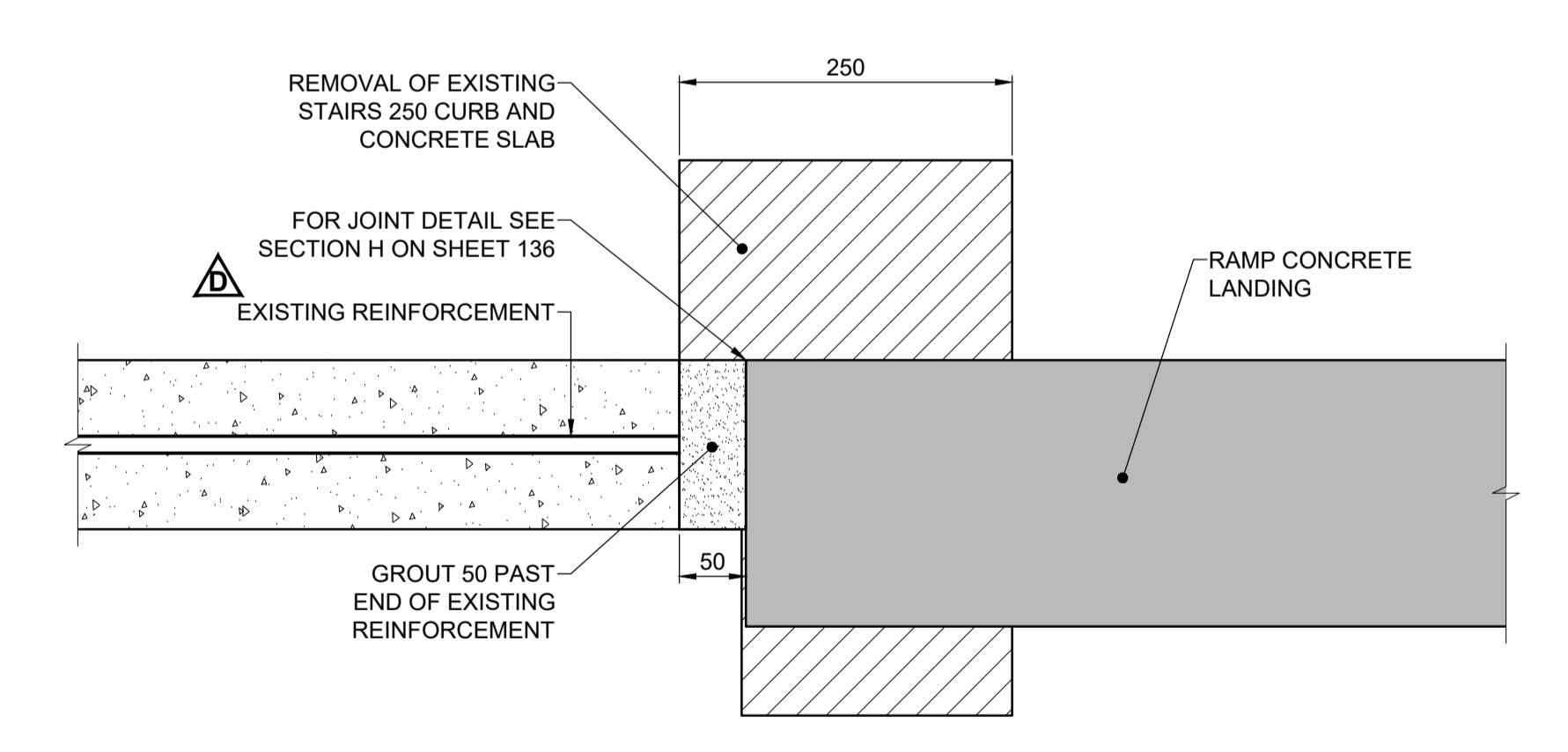


SECTION K
 STAIRS AND RAMP LANDING
 SCALE: 1:20



DETAIL 1
 STAIRS CURB AND SLAB REMOVAL
 SCALE: 1:5

NOTES:

- ALL CONCRETE FACES SAWCUT FOR CURB AND SLAB REMOVAL EXPOSING ENDS OF REINFORCEMENT TO BE COVERED WITH 50mm THICK GROUT AS PER DETAIL 1.
- FOR TYPICAL SLAB CROSS SECTION DIMENSIONS SEE SHEET 120.
- ALL EXPOSED CONCRETE CORNERS TO HAVE A 20mm CHAMFER UNLESS NOTED OTHERWISE.

ENGINEERS
GEOSCIENTISTS
 Certificate of Authorization
 MORRISON HERSHFIELD
 No. 1736
METRIC
 WHOLE NUMBERS INDICATE MILLIMETRES
 DECIMALIZED NUMBERS INDICATE METRES

LOCATION APPROVED UNDERGROUND STRUCTURES

NO.	REVISIONS	DATE	BY
E	ISSUED FOR ADDENDUM 2	18/10/16	BAP
D	ISSUED FOR ADDENDUM 1	18/10/05	BAP
C	ISSUED FOR TENDER	18/09/04	BAP
B	ISSUED FOR 95% DESIGN REVIEW	18/08/07	BAP
A	ISSUED FOR 50% DESIGN REVIEW	18/06/28	BAP

BM	ELEV

MORRISON HERSHFIELD

DESIGNED BY	CHECKED BY
YM	BAP
DRAWN BY	APPROVED BY
ALP	BE
HOR SCALE	VERT SCALE
AS SHOWN	AS SHOWN
RELEASSED FOR CONSTRUCTION	DATE
N/A	



THE CITY OF WINNIPEG PUBLIC WORKS DEPARTMENT ENGINEERING DIVISION	
EMPRESS STREET PROJECT PEDESTRIAN ACCESSIBILITY RAMPS SOUTH RAMP CROSS SECTIONS 5	CITY DRAWING NUMBER P-3494-126 SHEET 126 OF 169 DRAWING No. 126 REV E