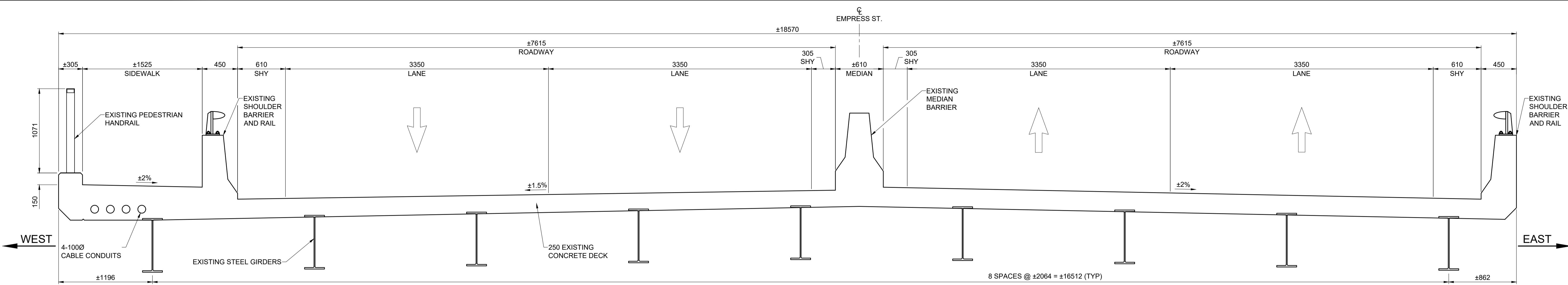
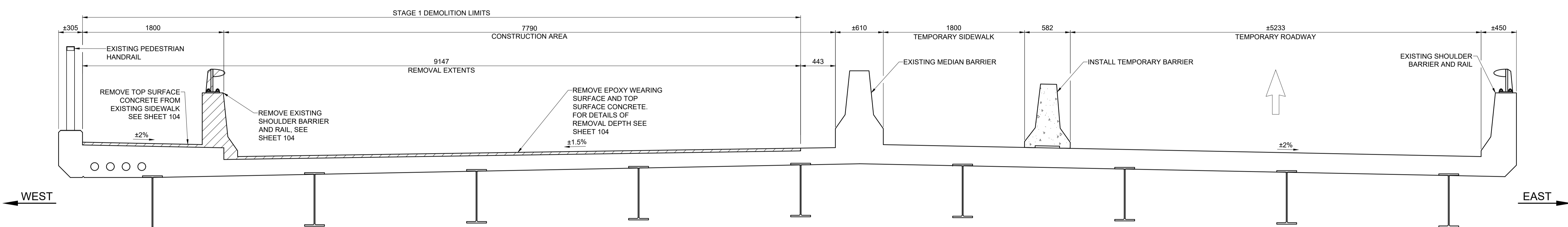


RSD A1 - 594mm x 841mm

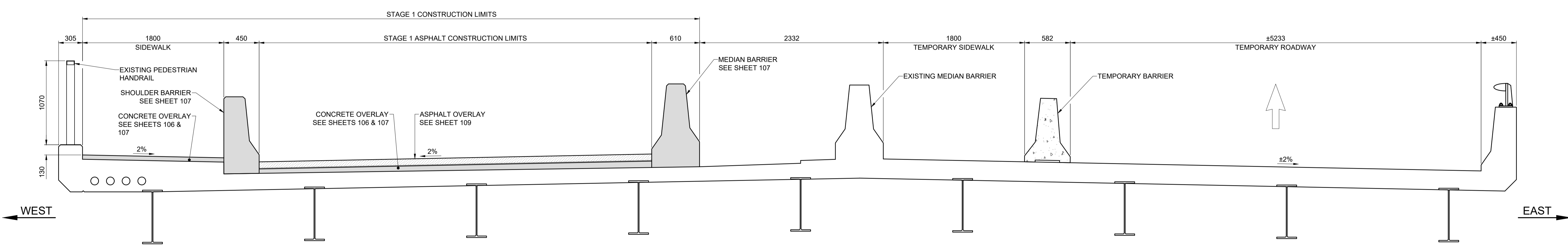
O:\Winnipeg\Proj\W160034\Design\Drawings\06 Sheets\Detailed Design\Structural\W160034-DD-SS.dwg, Last Saved: 9/6/2018 9:59 PM by: A.Higginer, Plotted: 9/6/2018 10:05 PM by: Alex Higginer



**TYPICAL SECTION**  
EXISTING STRUCTURE  
SCALE 1:25



**TYPICAL SECTION CONSTRUCTION STAGING**  
STAGE 1 DEMOLITION  
SCALE 1:25



**TYPICAL SECTION - CONSTRUCTION STAGING**  
STAGE 1 CONSTRUCTION  
SCALE 1:25

**LEGEND:**

- REMOVALS
- ASPHALT
- CONCRETE OVERLAY/NEW CONCRETE

NORTH BOUND  
 SOUTH BOUND

- GENERAL NOTES:**
- REFER TO STAGING FIGURES FOR ADDITIONAL STAGING INFORMATION.
  - SUBSTRUCTURE NOT SHOWN FOR CLARITY.
  - EXISTING DECK REINFORCEMENT NOT SHOWN.



**METRIC**  
WHOLE NUMBERS INDICATE MILLIMETRES  
DECIMALIZED NUMBERS INDICATE METRES

**LOCATION APPROVED UNDERGROUND STRUCTURES**

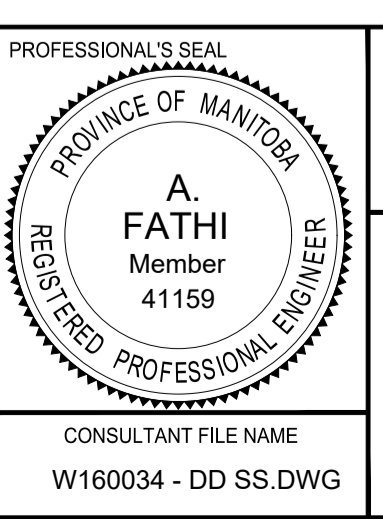
SUPR. U/G STRUCTURES	DATE

**NOTE:**  
LOCATION OF UNDERGROUND STRUCTURES AS SHOWN ARE BASED ON THE BEST INFORMATION AVAILABLE BUT NO GUARANTEE IS GIVEN THAT ALL EXISTING UTILITIES ARE SHOWN OR THAT THE GIVEN LOCATIONS ARE EXACT. CONFIRMATION OF EXISTENCE AND EXACT LOCATION OF ALL SERVICES MUST BE OBTAINED FROM THE INDIVIDUAL UTILITIES BEFORE PROCEEDING WITH CONSTRUCTION.

NO.	REVISIONS	DATE	BY

**MORRISON HERSHFIELD**

DESIGNED BY	AF	CHECKED BY	YM
DRAWN BY	ALP	APPROVED BY	BE
HOR SCALE	AS SHOWN	RELEASED FOR CONSTRUCTION	N/A
VERT SCALE	AS SHOWN	DATE	



BID OPPORTUNITY No. 602-2018

**THE CITY OF WINNIPEG**  
PUBLIC WORKS DEPARTMENT  
ENGINEERING DIVISION

**EMPRESS STREET PROJECT**  
OVERPASS REHABILITATION WORKS  
SUPERSTRUCTURE  
CONSTRUCTION STAGING 1

CITY DRAWING NUMBER	P-3494-101
SHEET OF	101 168
DRAWING No.	REV
	101 D