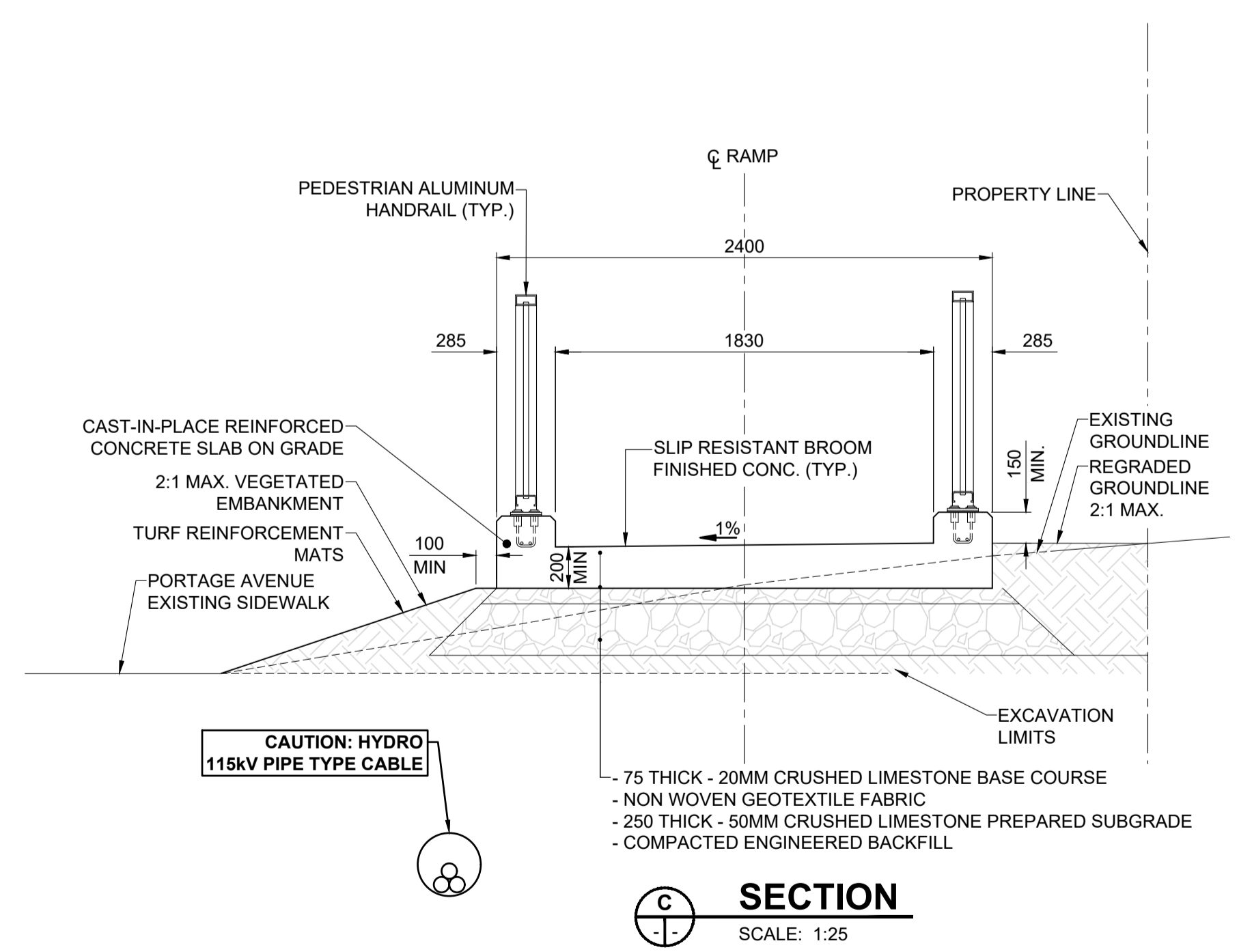
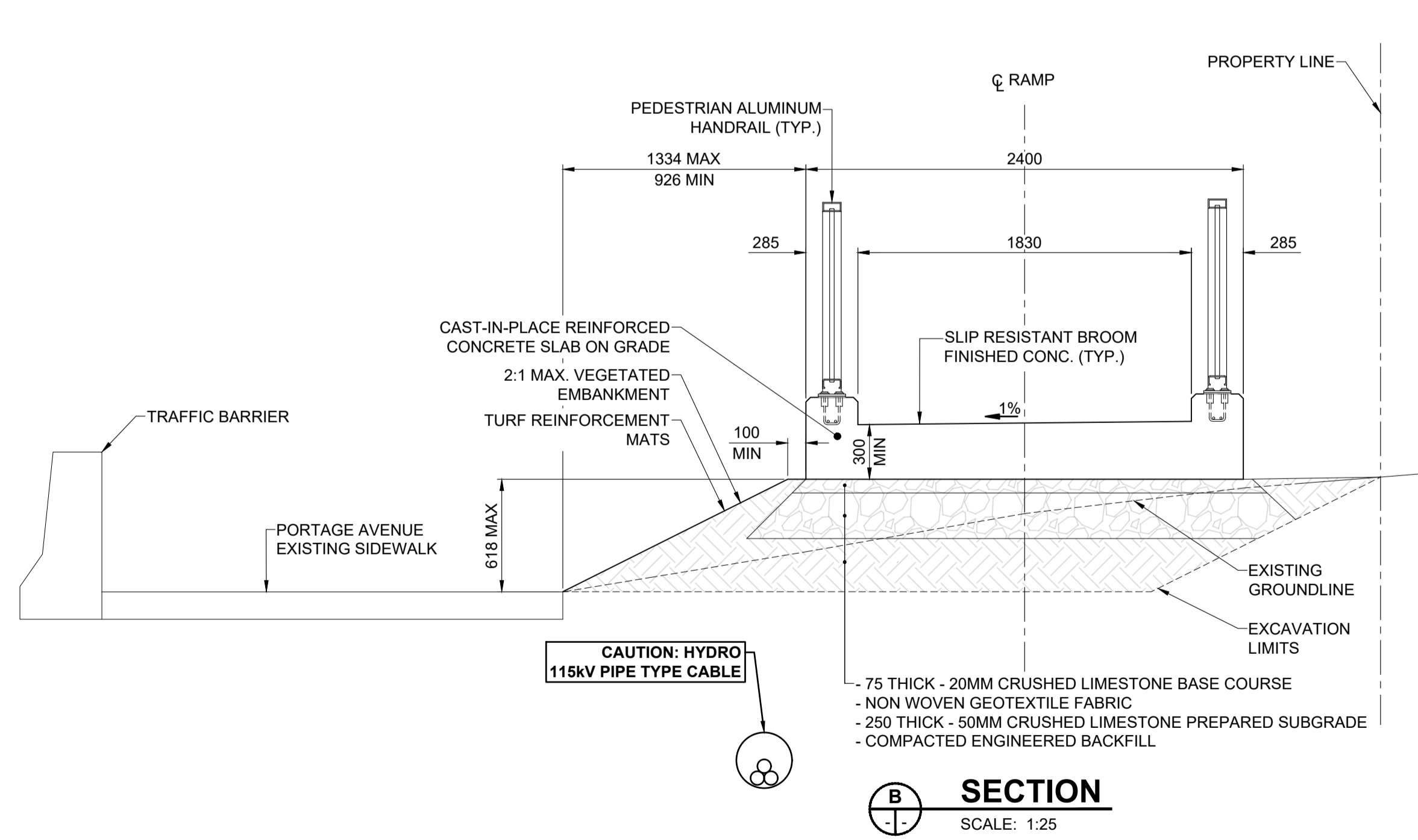
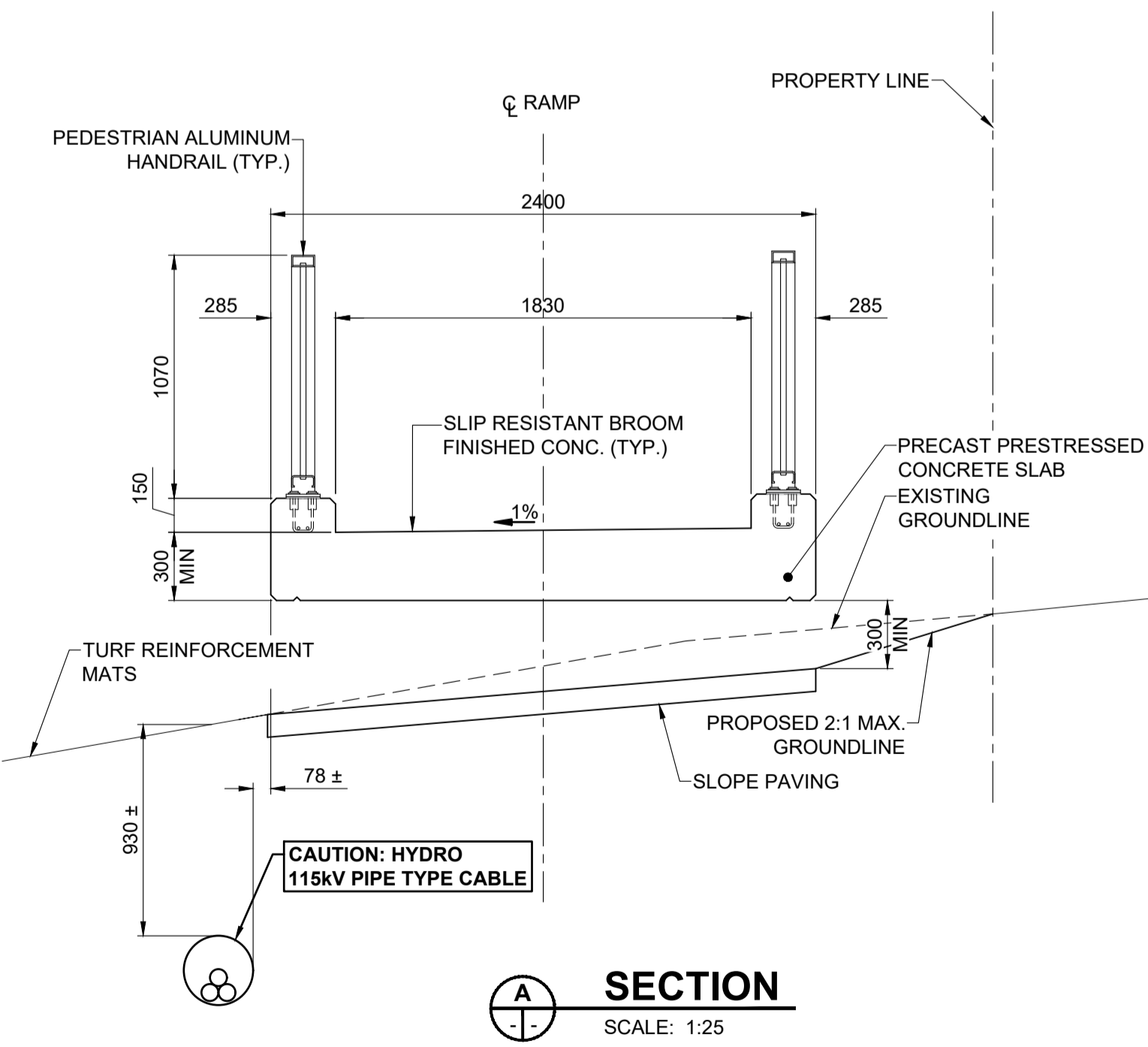
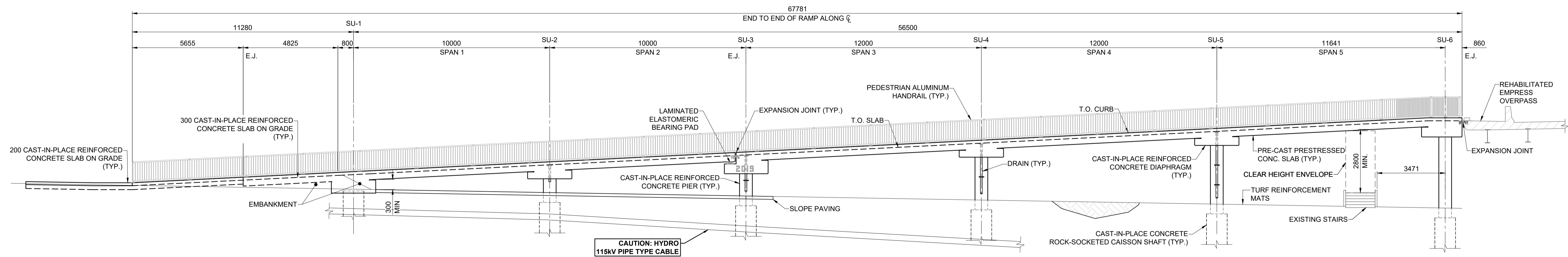
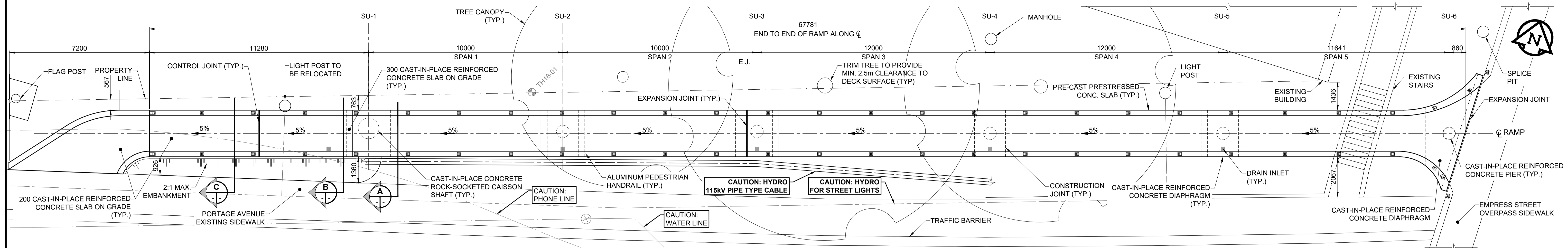


ISO A1 - 594mm x 841mm

O:\Winnipeg\Proj\160034\Drawings\11\Drawings\06\Structural\Pedestrian Ramps\160034_DD_NR.dwg - Last Saved: 06/20/18 7:12 PM by Y.Moravsky - Picked: 06/20/18 8:33 PM by Alex Haggan



METRIC
WHOLE NUMBERS INDICATE MILLIMETRES
DECIMALIZED NUMBERS INDICATE METRES

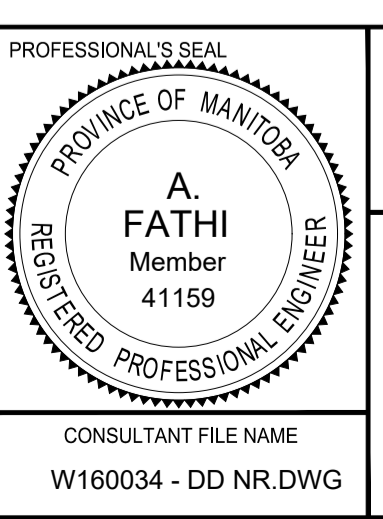
LOCATION APPROVED
UNDERGROUND STRUCTURES

DATE: _____

NOTE:
LOCATION OF UNDERGROUND STRUCTURES AS SHOWN ARE BASED ON THE BEST INFORMATION AVAILABLE BUT NO GUARANTEE IS GIVEN THAT ALL EXISTING UTILITIES ARE SHOWN OR THAT THE GIVEN LOCATIONS ARE EXACT. CONFIRMATION OF EXISTENCE AND EXACT LOCATION OF ALL SERVICES MUST BE OBTAINED FROM THE INDIVIDUAL UTILITIES BEFORE PROCEEDING WITH CONSTRUCTION.

NO.	REVISIONS	DATE	BY
C	ISSUED FOR TENDER	18/09/04	BAP
B	ISSUED FOR 95% DESIGN REVIEW	18/08/07	BAP
A	ISSUED FOR 50% DESIGN REVIEW	18/06/28	BAP

MORRISON HERSHFIELD	
DESIGNED BY: YM	CHECKED BY: AF
DRAWN BY: ALP	APPROVED BY: BAP
HOR SCALE: AS SHOWN	RELEASED FOR CONSTRUCTION: N/A
VERT SCALE: AS SHOWN	DATE: _____



THE CITY OF WINNIPEG
PUBLIC WORKS DEPARTMENT
ENGINEERING DIVISION

EMPRESS STREET PROJECT
PEDESTRIAN ACCESSIBILITY RAMPS
NORTH RAMP
GENERAL ARRANGEMENT

CITY DRAWING NUMBER: P-3494-138
SHEET 138 OF 168
DRAWING No. 138 REV C

BID OPPORTUNITY No. 602-2018