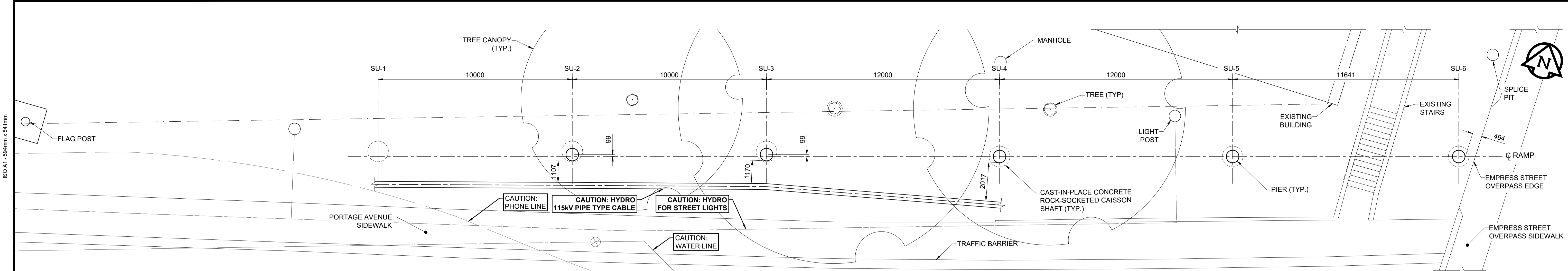


ISO A1 - 594mm x 841mm

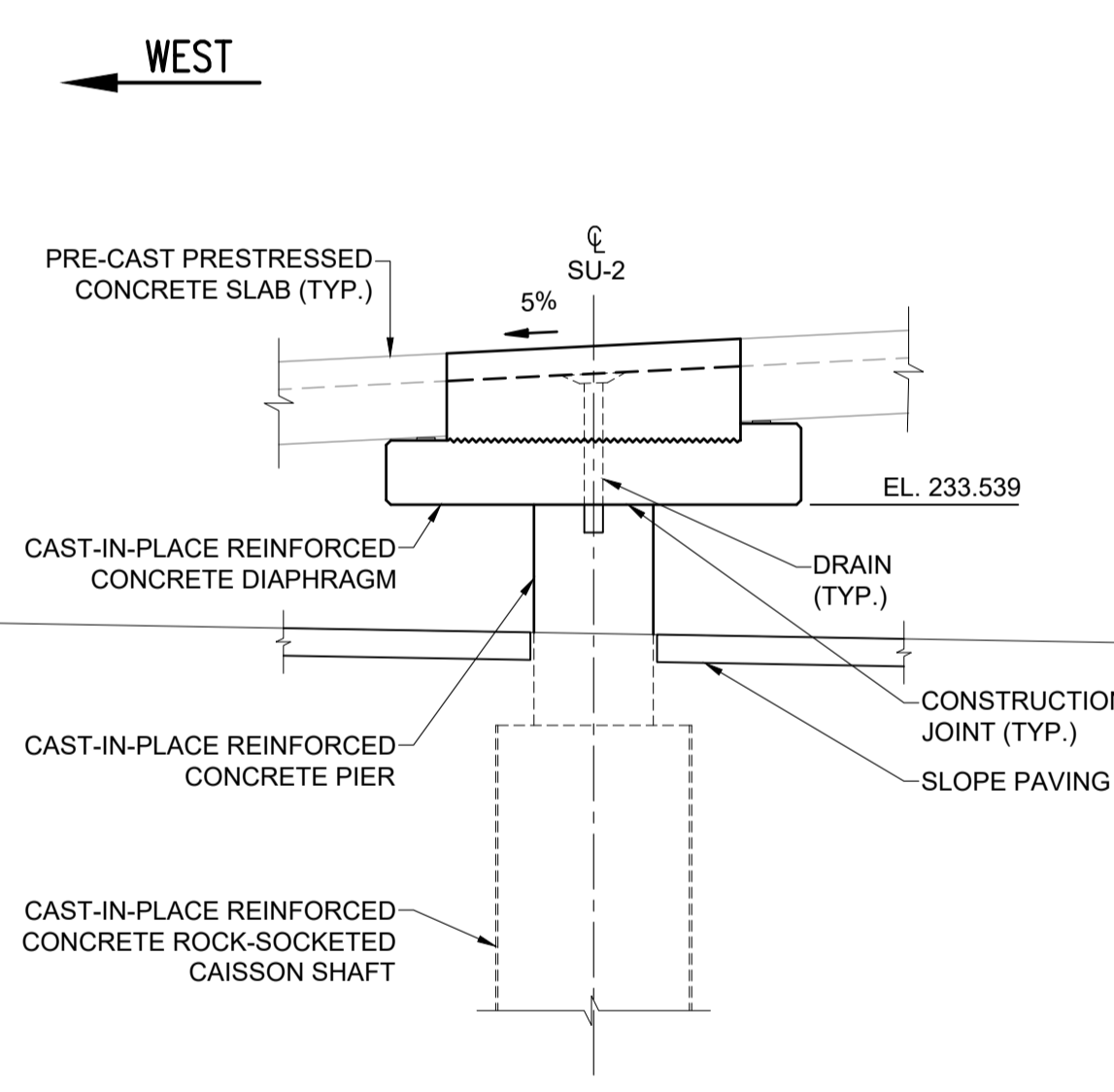
C:\winnipeg\proj\w160034\Drawings\06 Sheets\Detailed Design\Structural\Pedestrian Ramps\W160034 - DD\_NSR.dwg  
Last Saved: 06/20/18 7:12 PM by Y.Moravsky  
Plotted: 06/20/18 9:34 PM by Alex Haggner



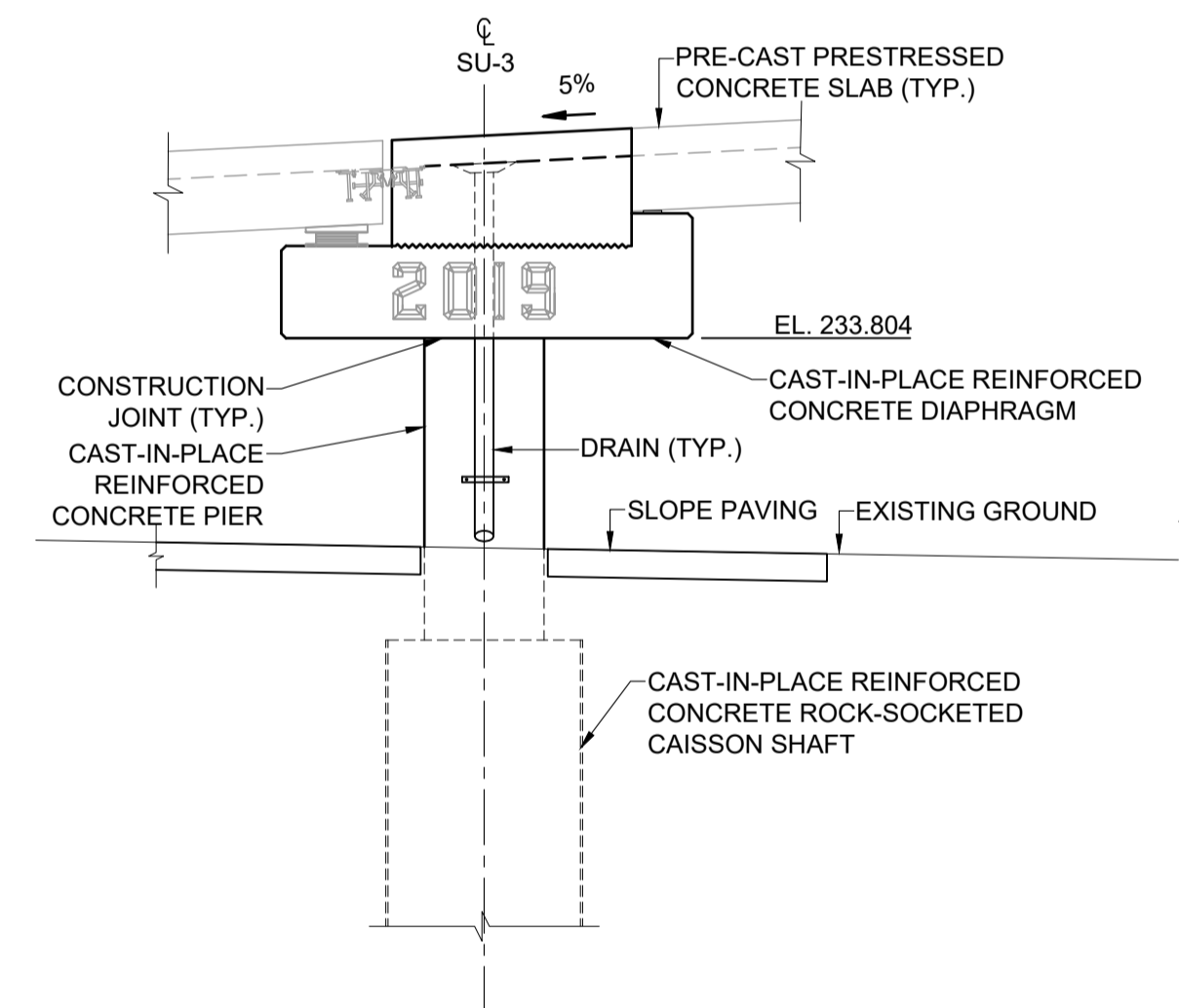
**NORTH RAMP PIER CENTERLINE LAYOUT**

SUBSTRUCTURE UNIT	NORTHING	EASTING
SU2	9020.0070	10761.7289
SU3	9022.7713	10771.3396
SU4	9025.9928	10782.8994
SU5	9029.3098	10794.4319
SU6	9032.5275	10805.6189

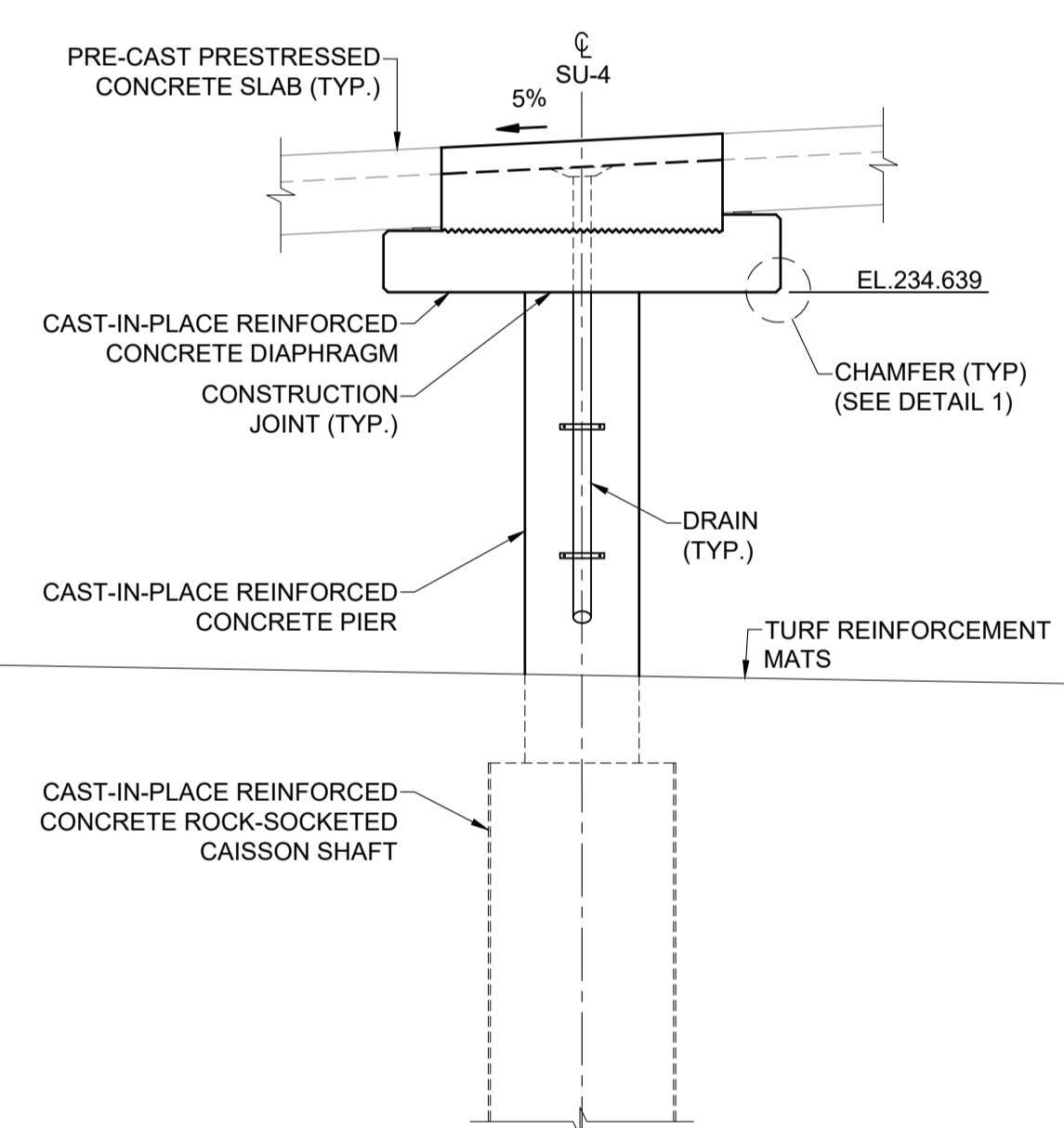
**PIER PLAN**  
SCALE 1:100



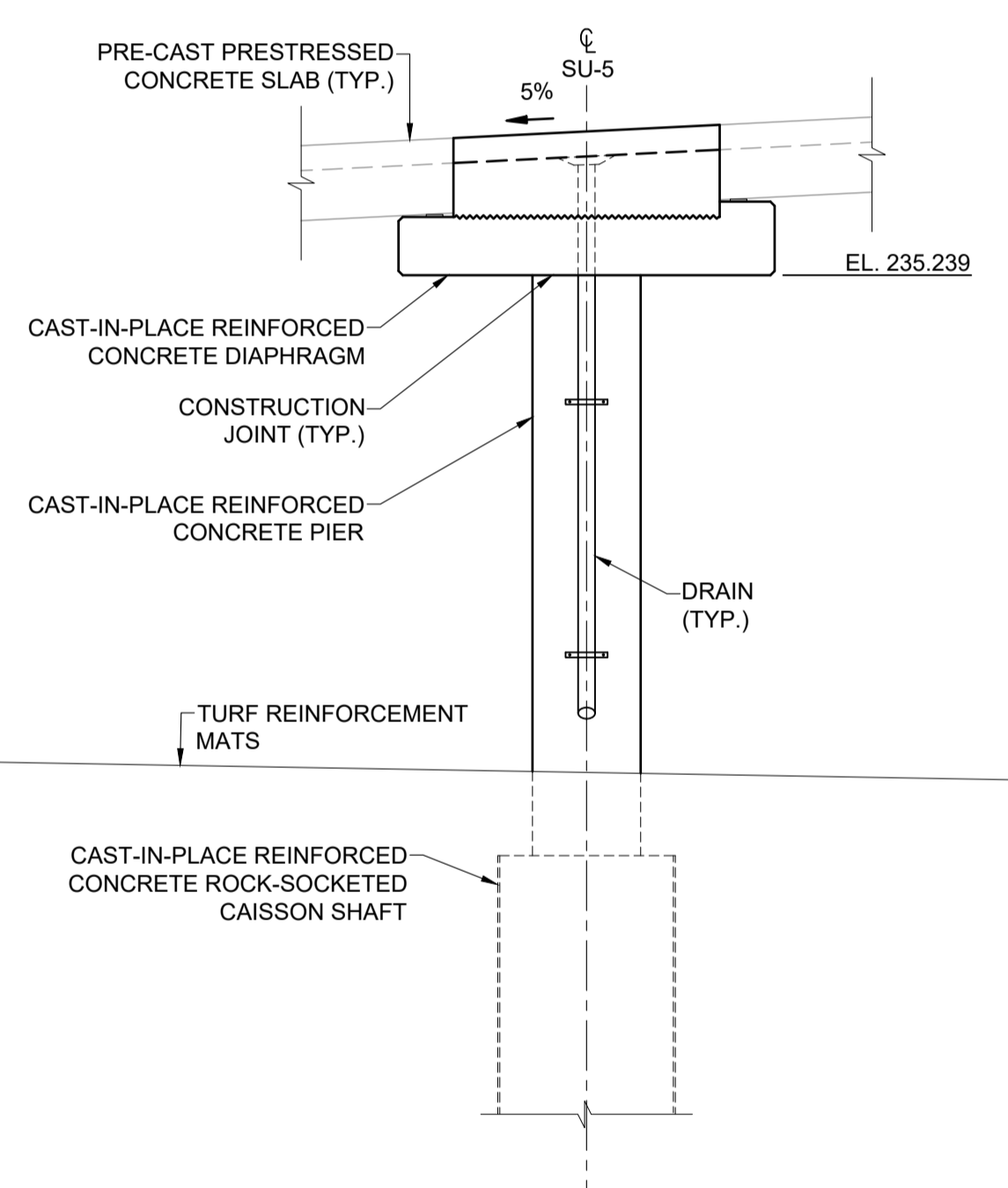
**SOUTH ELEVATION**  
SCALE: 1:40



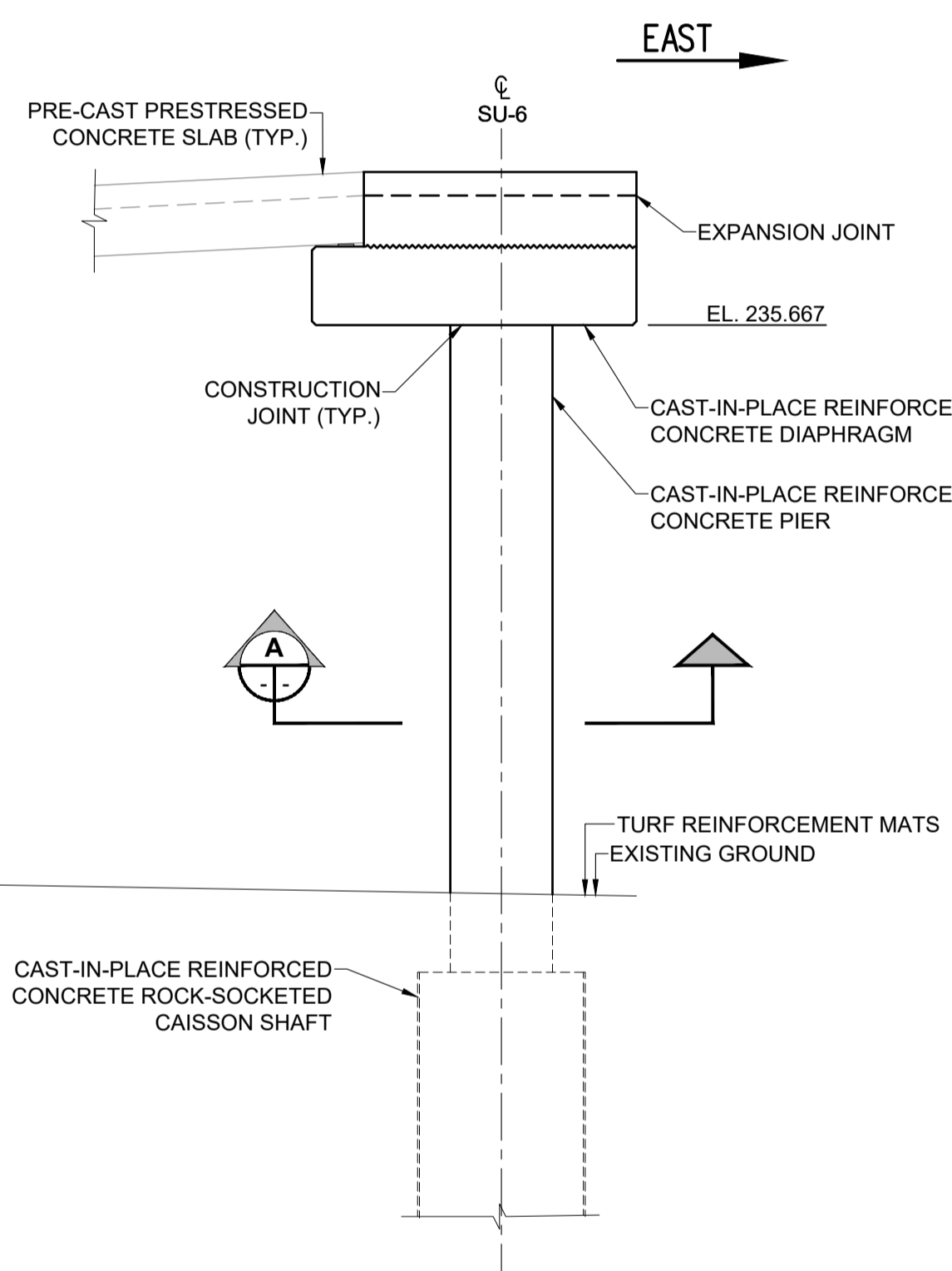
**SOUTH ELEVATION**  
SCALE: 1:40



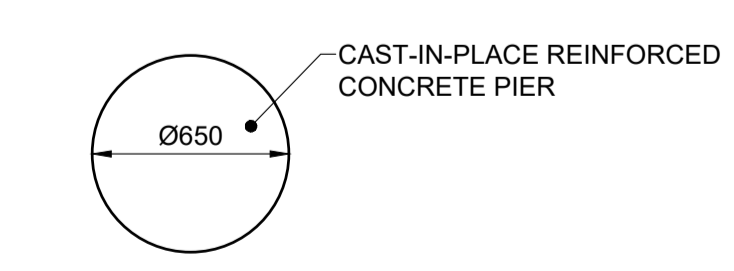
**SOUTH ELEVATION**  
SCALE: 1:40



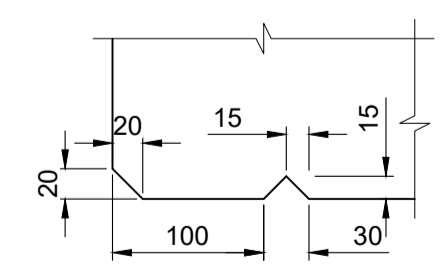
**SOUTH ELEVATION**  
SCALE: 1:40



**SOUTH ELEVATION**  
SCALE: 1:40



**SECTION**  
SCALE: 1:25



**DETAIL**  
SCALE: 1:25



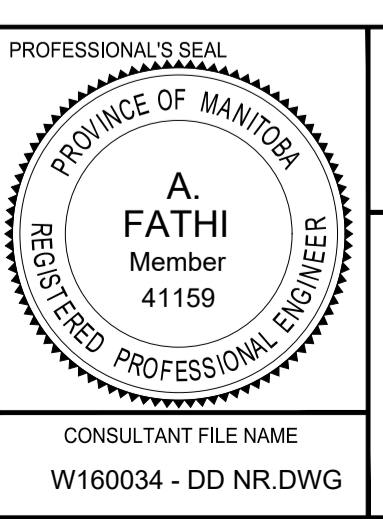
**METRIC**  
WHOLE NUMBERS INDICATE MILLIMETRES  
DECIMALIZED NUMBERS INDICATE METRES

**LOCATION APPROVED**  
UNDERGROUND STRUCTURES

NOTE: LOCATION OF UNDERGROUND STRUCTURES AS SHOWN ARE BASED ON THE BEST INFORMATION AVAILABLE BUT NO GUARANTEE IS GIVEN THAT ALL EXISTING UTILITIES ARE SHOWN OR THAT THE GIVEN LOCATIONS ARE EXACT. CONFIRMATION OF EXISTENCE AND EXACT LOCATION OF ALL SERVICES MUST BE OBTAINED FROM THE INDIVIDUAL UTILITIES BEFORE PROCEEDING WITH CONSTRUCTION.

No.	REVISIONS	DATE	BY
C	ISSUED FOR TENDER	18/09/04	BAP
B	ISSUED FOR 95% DESIGN REVIEW	18/08/07	BAP
A	ISSUED FOR 50% DESIGN REVIEW	18/06/28	BAP

<b>MORRISON HERSHFIELD</b>	
DESIGNED BY: YM	CHECKED BY: AF
DRAWN BY: ALP	APPROVED BY: BAP
HOR SCALE: AS SHOWN	VERT SCALE: AS SHOWN
RELEASED FOR CONSTRUCTION	N/A
DATE	DATE



**THE CITY OF WINNIPEG**  
PUBLIC WORKS DEPARTMENT  
ENGINEERING DIVISION

**EMPRESS STREET PROJECT**  
PEDESTRIAN ACCESSIBILITY RAMPS  
NORTH RAMP  
PIER DETAILS

CITY DRAWING NUMBER: P-3494-141  
SHEET 141 OF 168  
DRAWING No. 141 REV C

CONSULTANT FILE NAME: W160034 - DD NR.DWG

BID OPPORTUNITY No. 602-2018