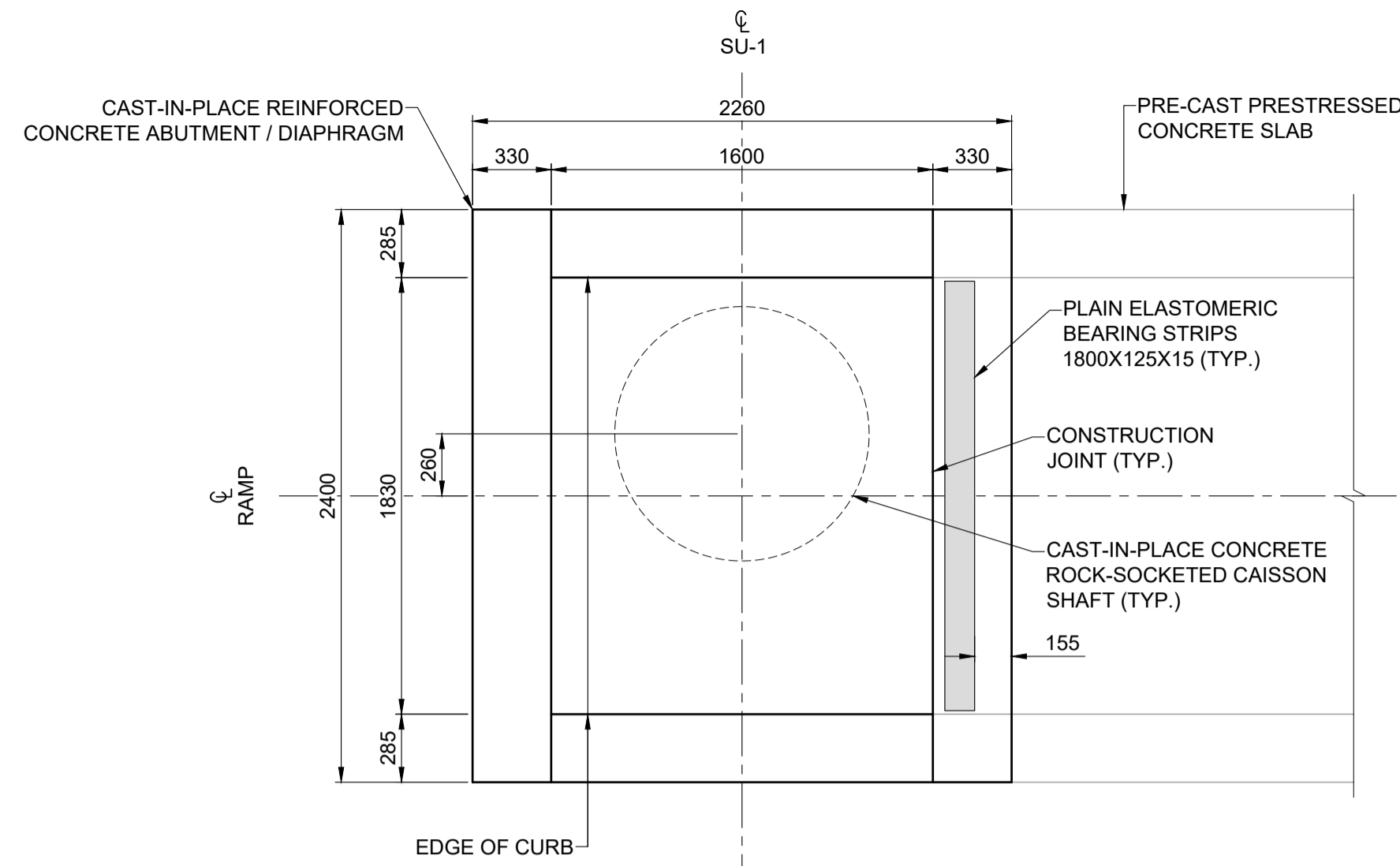
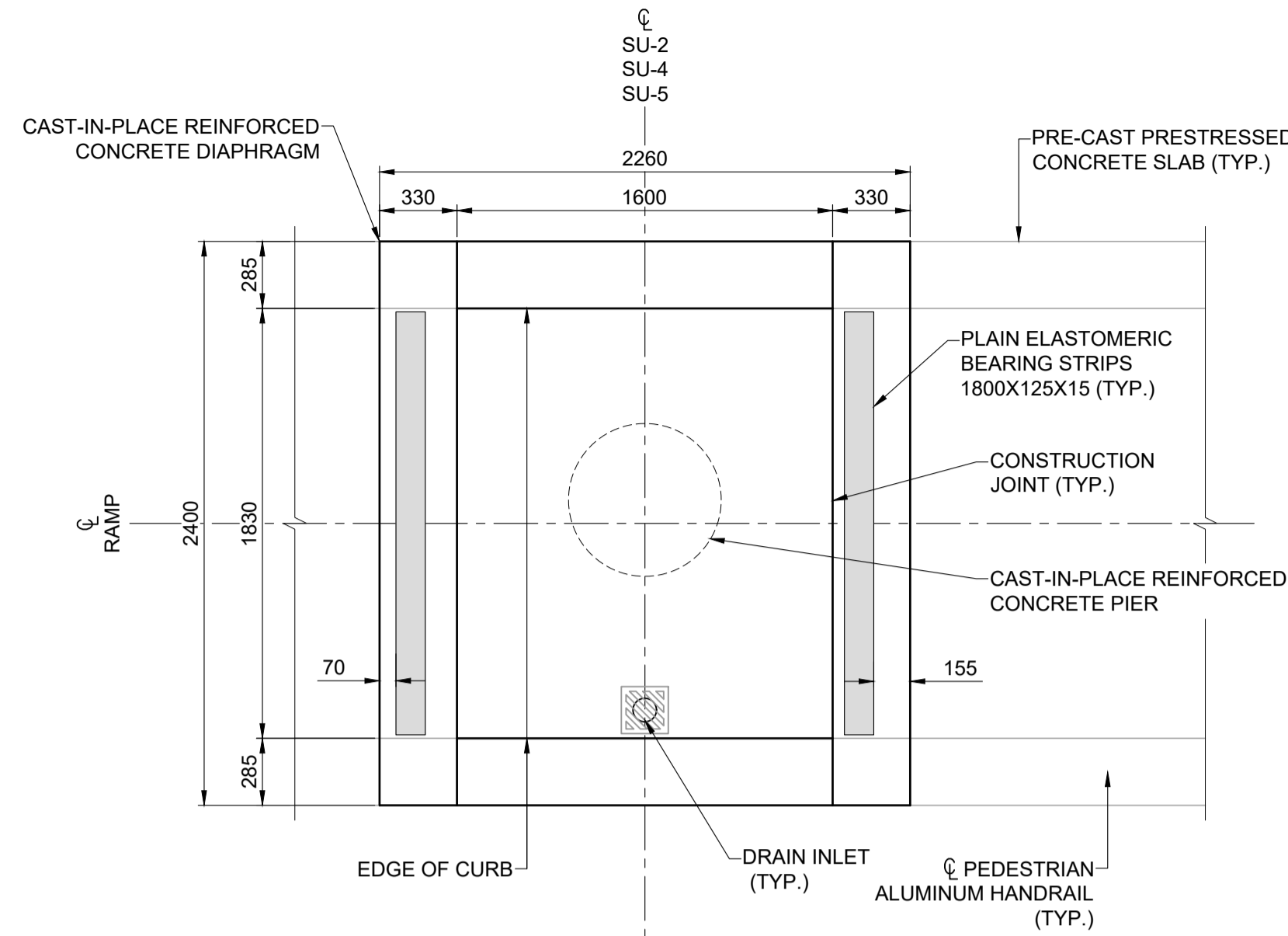


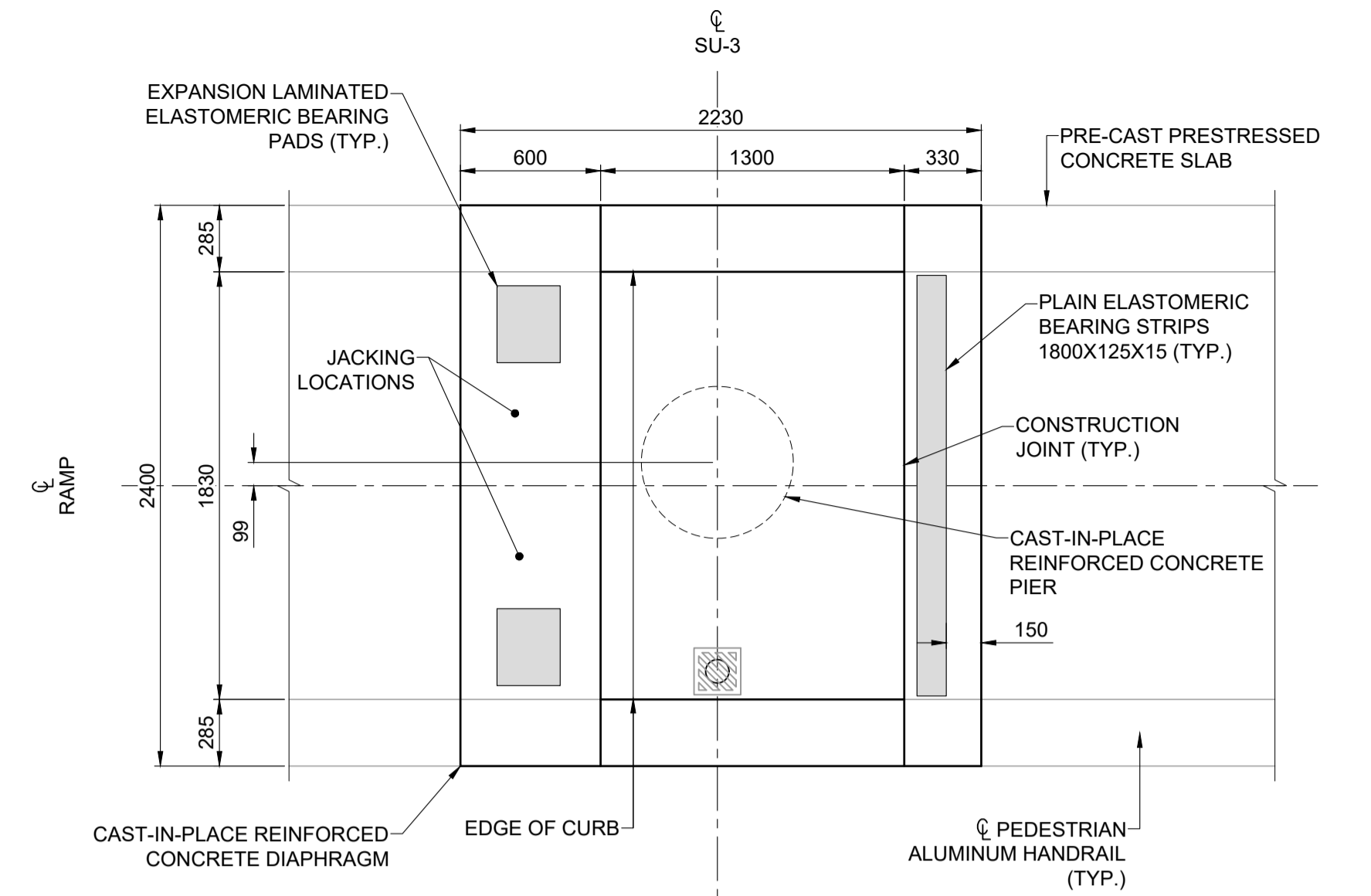
ISO A1 - 594mm x 841mm



ABUTMENT / DIAPHRAGM PLAN
SU-1 DETAILS
SCALE: 1:25

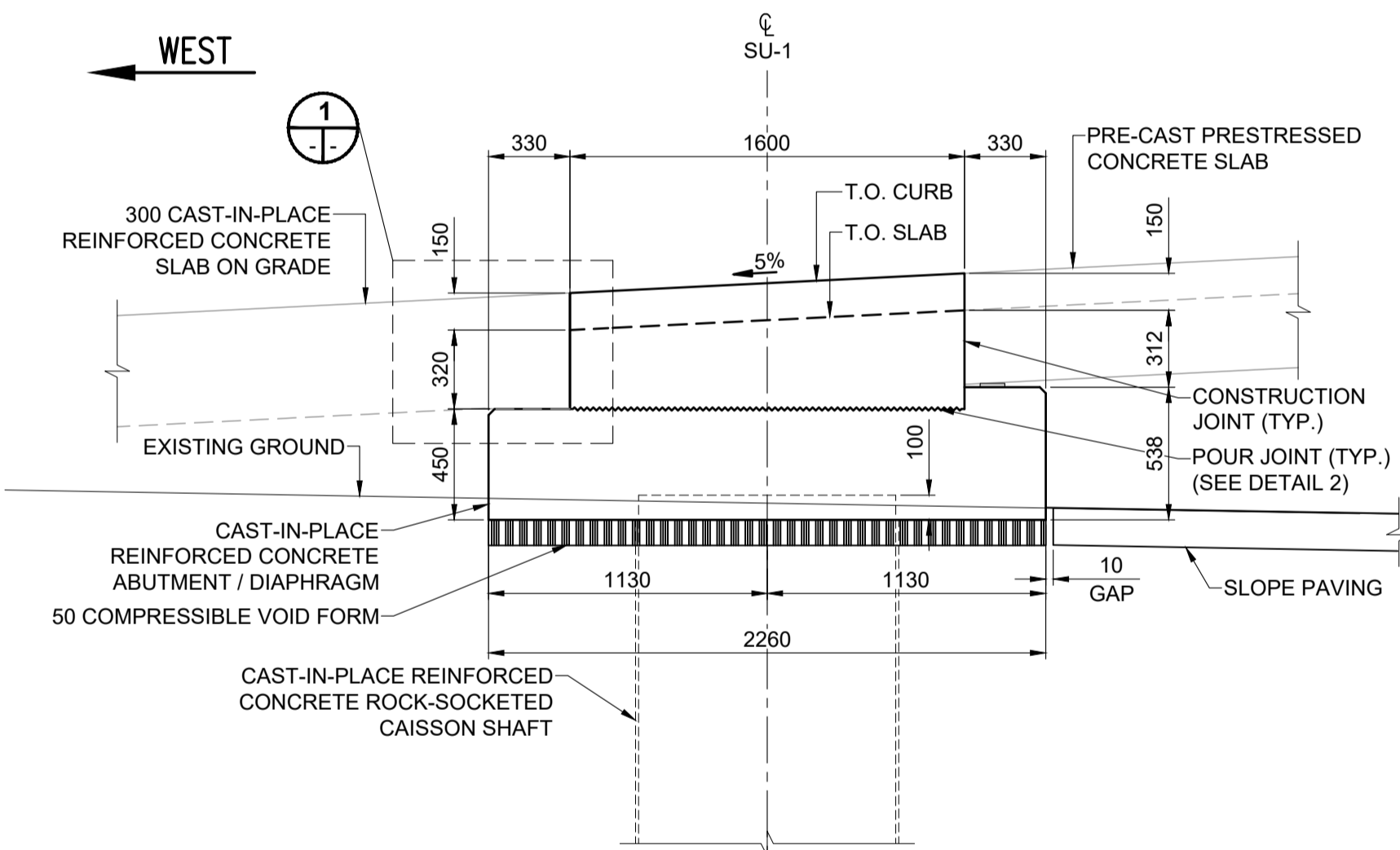


DIAPHRAGM PLAN
TYPICAL INTERMEDIATE DIAPHRAGM DETAILS
SCALE: 1:25

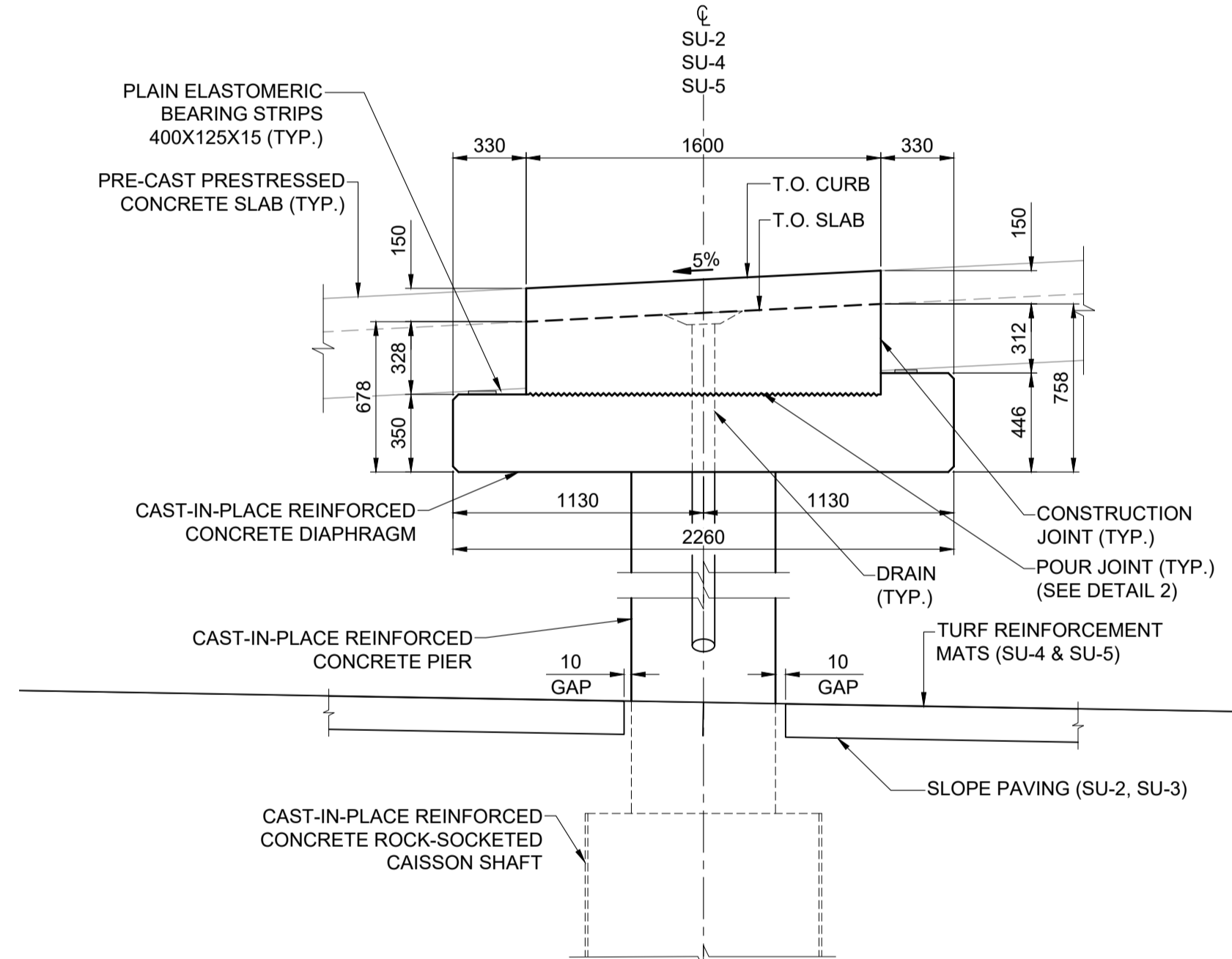


DIAPHRAGM PLAN
SU-3 DETAILS
SCALE: 1:25

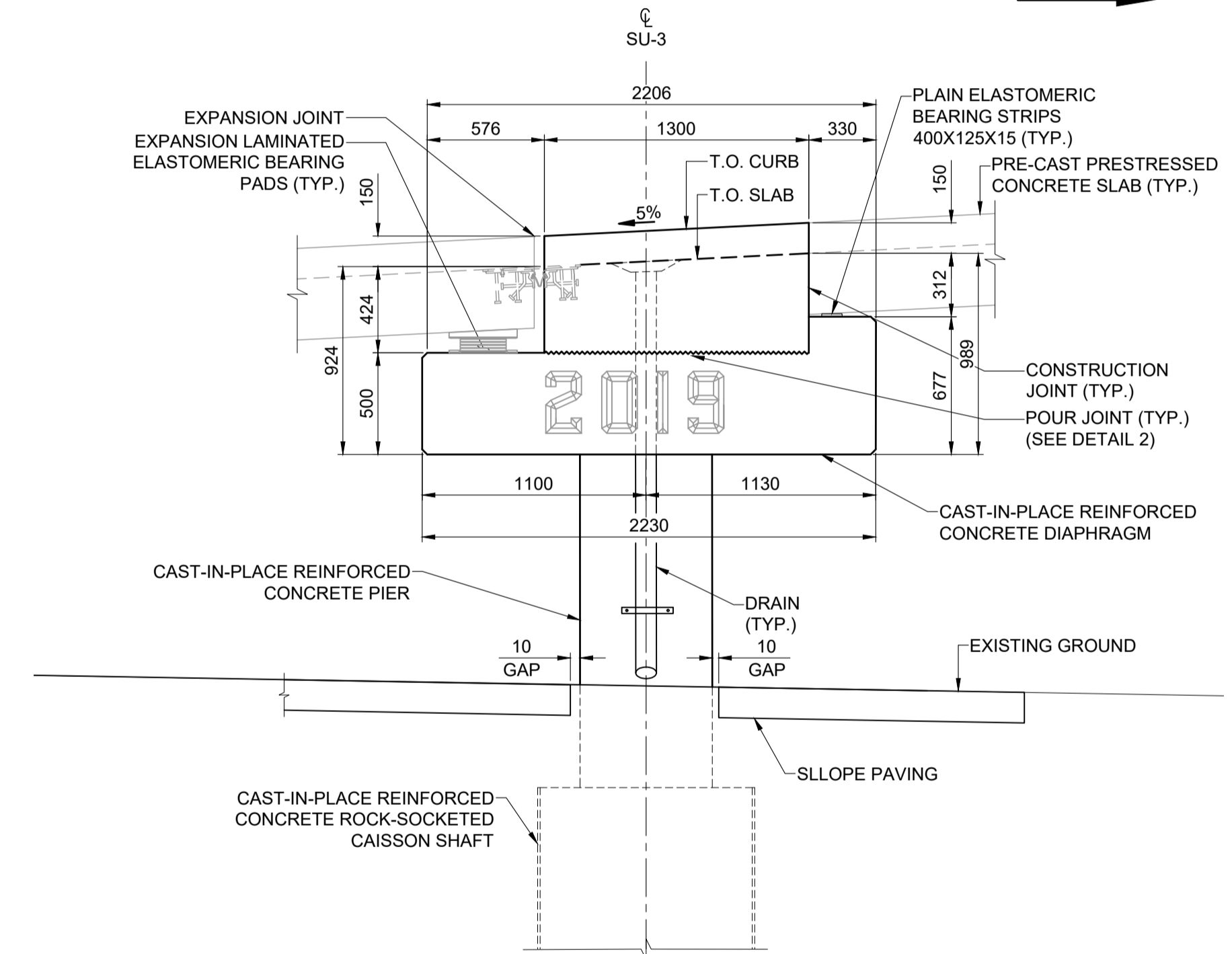
EAST



ABUTMENT / DIAPHRAGM ELEVATION
SU-1 DETAILS
SCALE: 1:25



DIAPHRAGM ELEVATION
TYPICAL INTERMEDIATE DIAPHRAGM DETAILS
SCALE: 1:25

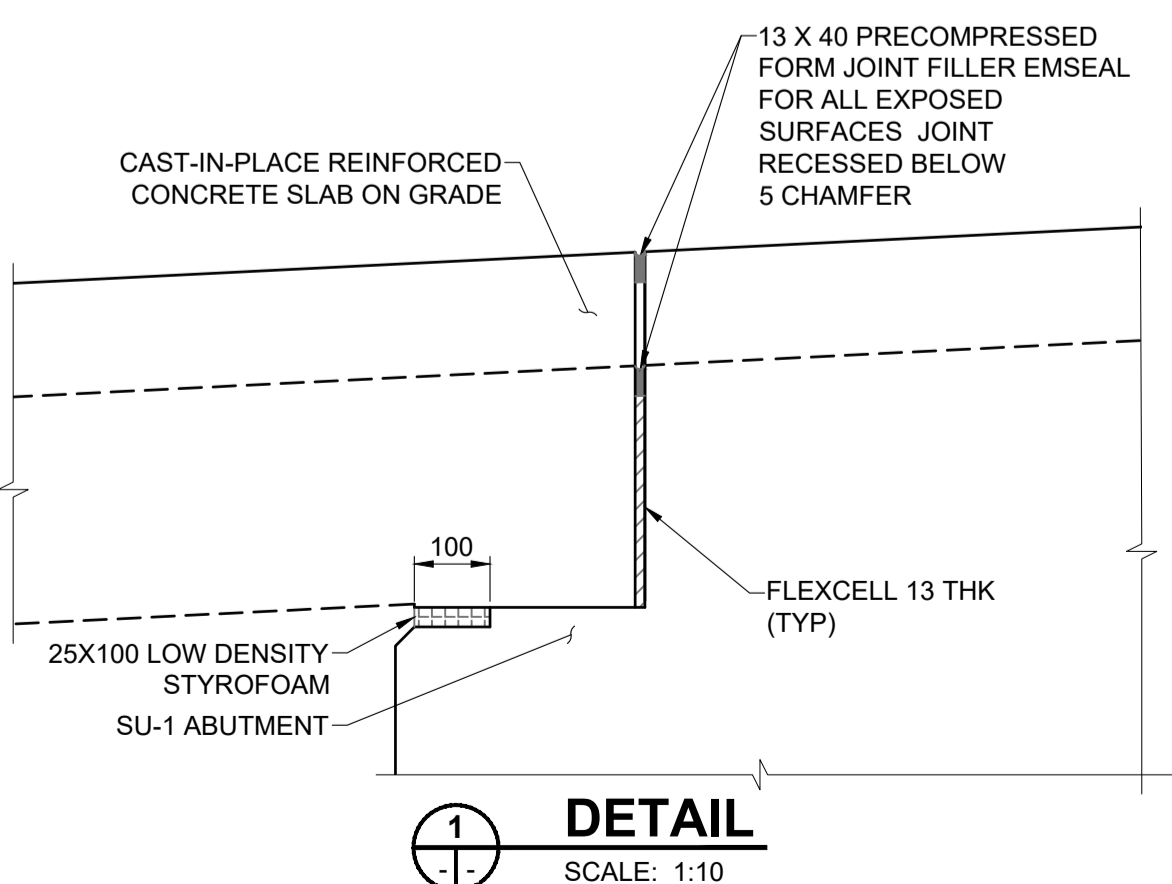


DIAPHRAGM ELEVATION
SU-3 DETAILS
SCALE: 1:25

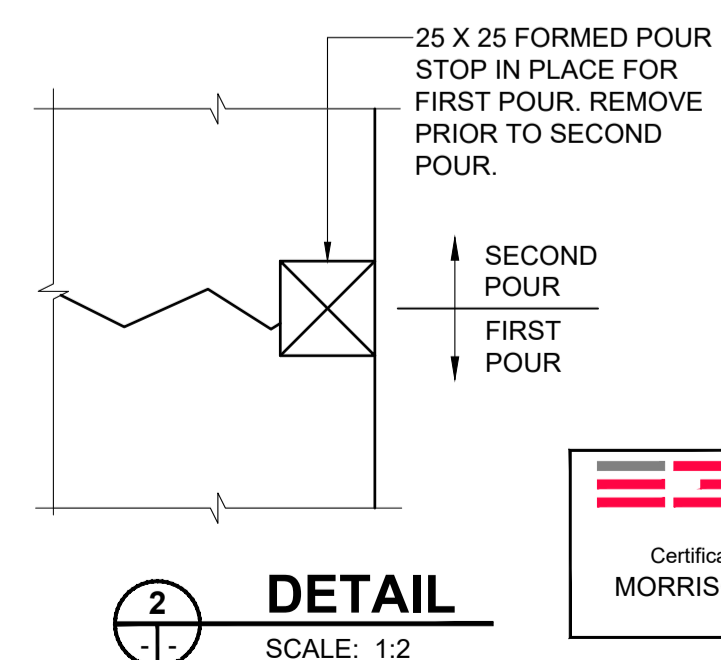
NOTES:

- ELEVATIONS ARE BASED ON PLAIN ELASTOMERIC STRIP BEARINGS THICKNESS OF 15mm
- BEARING SEAT TO BE CAST FLAT AND LEVEL AT BEARING LOCATIONS.
- ALL EXPOSED EDGES TO BE CHAMFERED 20mm UNLESS NOTED OTHERWISE.
- JACKING NOTES FOR EXPANSION BEARING AT SU-3:
 - MAXIMUM JACKING HEIGHT TO BE 5mm.
 - JACKING OF GIRDERS SHALL BE DONE WITH NO LIVE LOAD ON THE RAMP.
- ERECT PRECAST SLABS ON PLAIN ELASTOMERIC STRIP BEARINGS AT PIER CAPS AND EXPANSION LAMINATED BEARINGS AT SU-3.
- PRECAST SLAB STABILITY DURING CONSTRUCTION IS THE CONTRACTOR'S RESPONSIBILITY.
- MINIMUM 90 DAYS MUST HAVE ELAPSED SINCE TIME OF TRANSFER OF PRESTRESSING FORCES INTO GIRDERS AND SLAB ERECTION.

BID OPPORTUNITY No. 602-2018



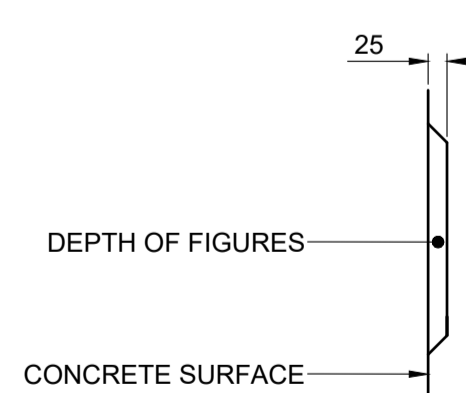
DETAIL
SCALE: 1:10



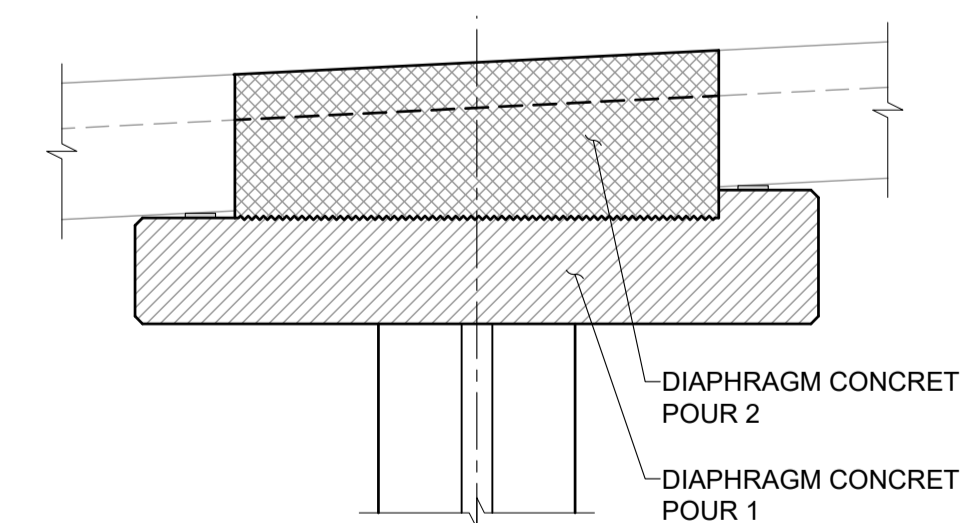
DETAIL
SCALE: 1:2



METRIC
WHOLE NUMBERS INDICATE MILLIMETRES
DECIMALIZED NUMBERS INDICATE METRES



DETAIL - DATE FIGURES
SCALE: 1:10



POUR DIAGRAM
SCALE: 1:25

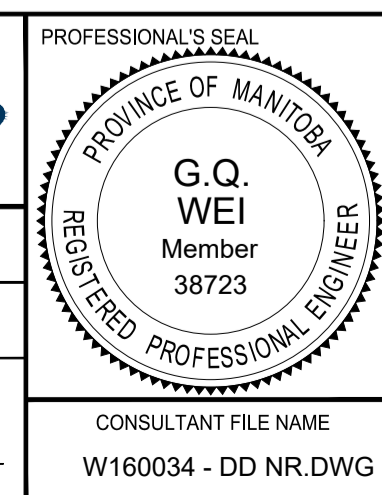
LOCATION APPROVED
UNDERGROUND STRUCTURES

SUPR. U/G STRUCTURES COMMITTEE DATE

NOTE:
LOCATION OF UNDERGROUND STRUCTURES AS SHOWN ARE BASED ON THE BEST INFORMATION AVAILABLE BUT NO GUARANTEE IS GIVEN THAT ALL EXISTING UTILITIES ARE SHOWN OR THAT THE GIVEN LOCATIONS ARE EXACT. CONFIRMATION OF EXISTENCE AND EXACT LOCATION OF ALL SERVICES MUST BE OBTAINED FROM THE INDIVIDUAL UTILITIES BEFORE PROCEEDING WITH CONSTRUCTION.

No.	REVISIONS	YYMMDD	BY	DATE
C	ISSUED FOR TENDER	18/09/04	BAP	
B	ISSUED FOR 95% DESIGN REVIEW	18/08/07	BAP	
A	ISSUED FOR 50% DESIGN REVIEW	18/06/28	BAP	

MORRISON HERSHFIELD	
DESIGNED BY: YM	CHECKED BY: GQW
DRAWN BY: ALP	APPROVED BY: BAP
HOR SCALE: AS SHOWN	RELEASED FOR CONSTRUCTION
VERT SCALE: AS SHOWN	N/A
DATE	DATE



THE CITY OF WINNIPEG
PUBLIC WORKS DEPARTMENT
ENGINEERING DIVISION

EMPRESS STREET PROJECT
PEDESTRIAN ACCESSIBILITY RAMPS
NORTH RAMP
ABUTMENT AND DIAPHRAGM DETAILS 1

CITY DRAWING NUMBER: P-3494-143
SHEET 143 OF 168
DRAWING No. 143 REV C

O:\Winnipeg\Proj\W160034\4_Design\1_Drawing\06_Sheets\Detailed Design\Structural\Pedestrian Ramps\W160034_DD_NSR.dwg
 Last Saved: 06/2018 9:35 PM by Y.Moravsky
 Project: 06/2018 9:35 PM by Alex Haggan