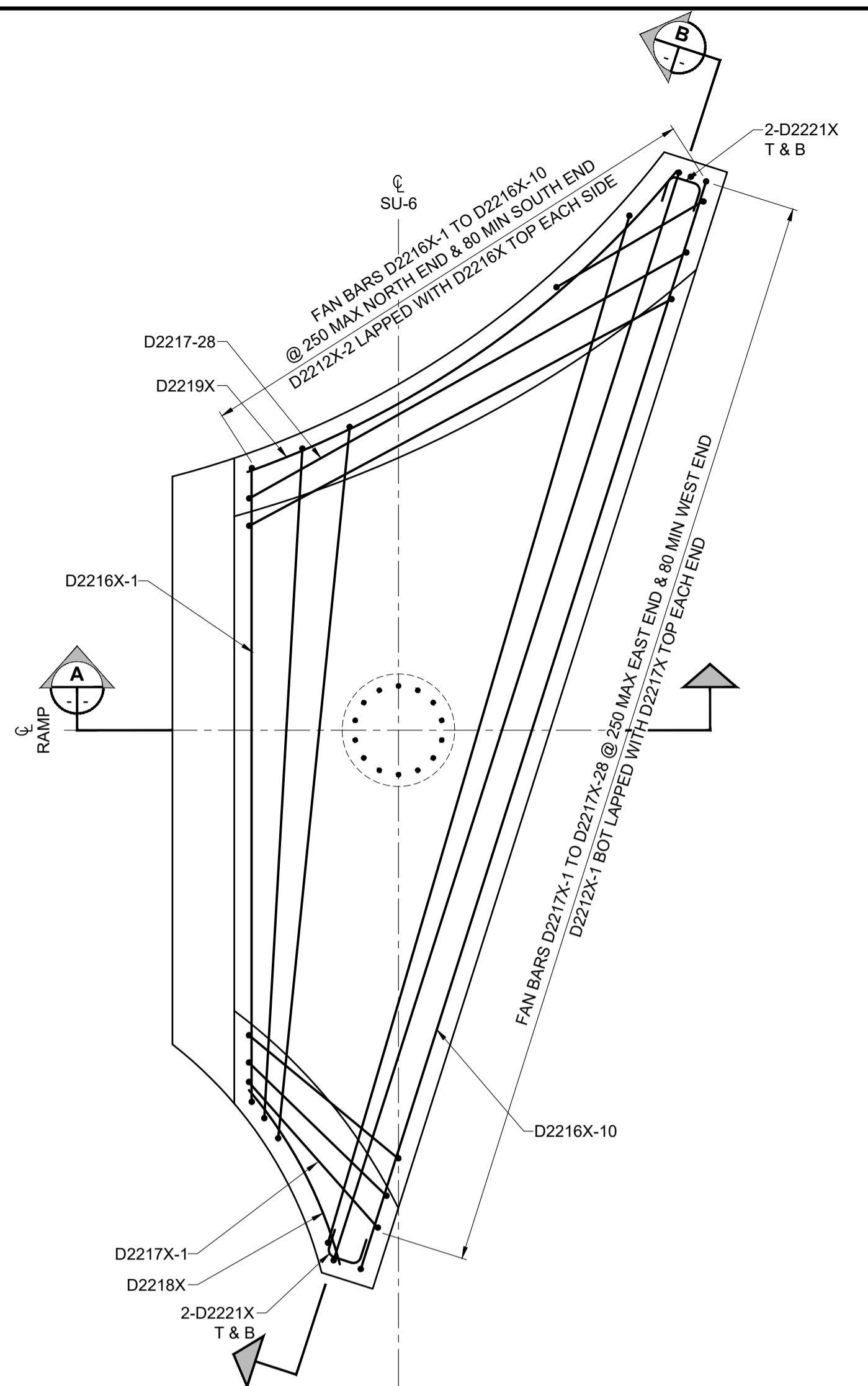
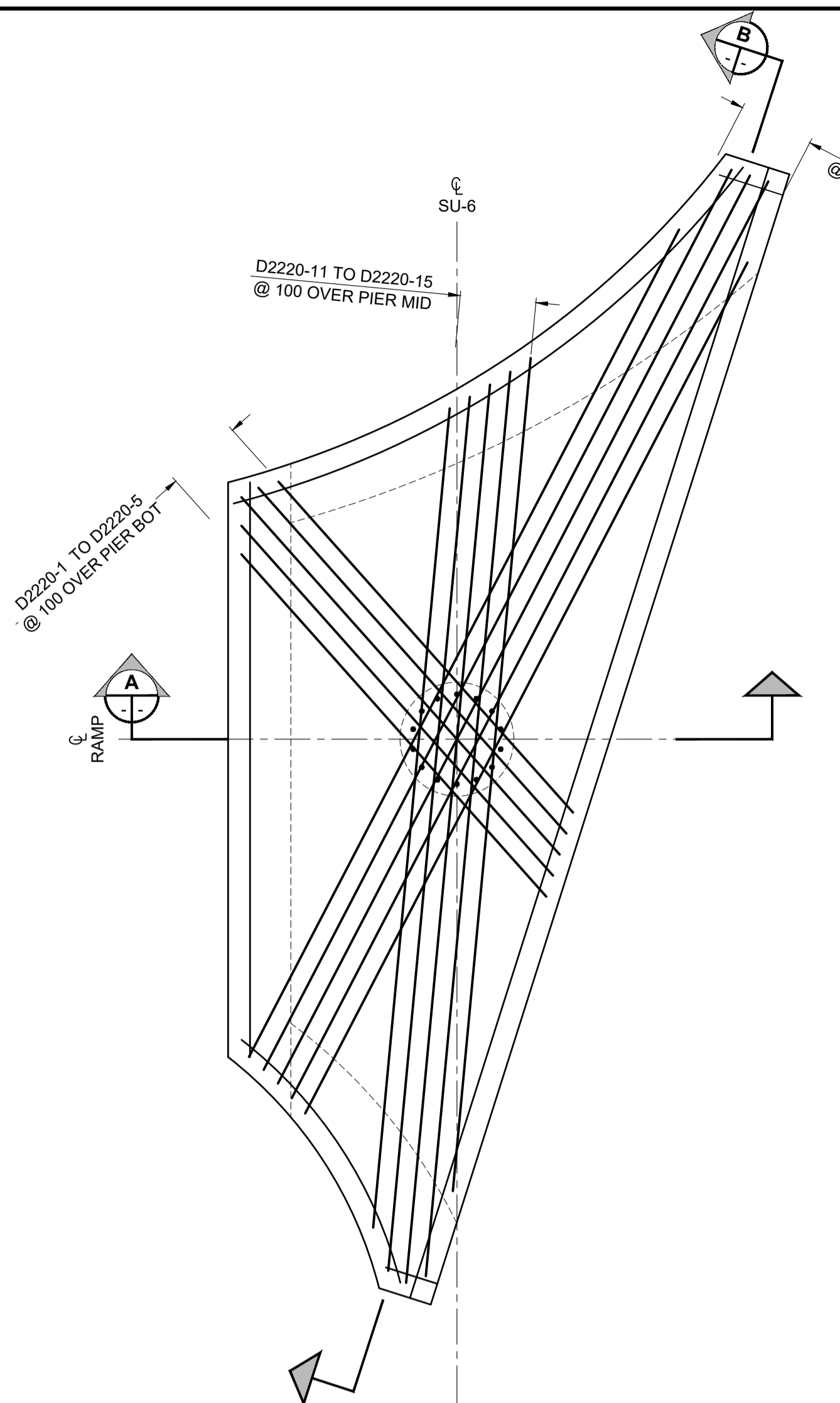


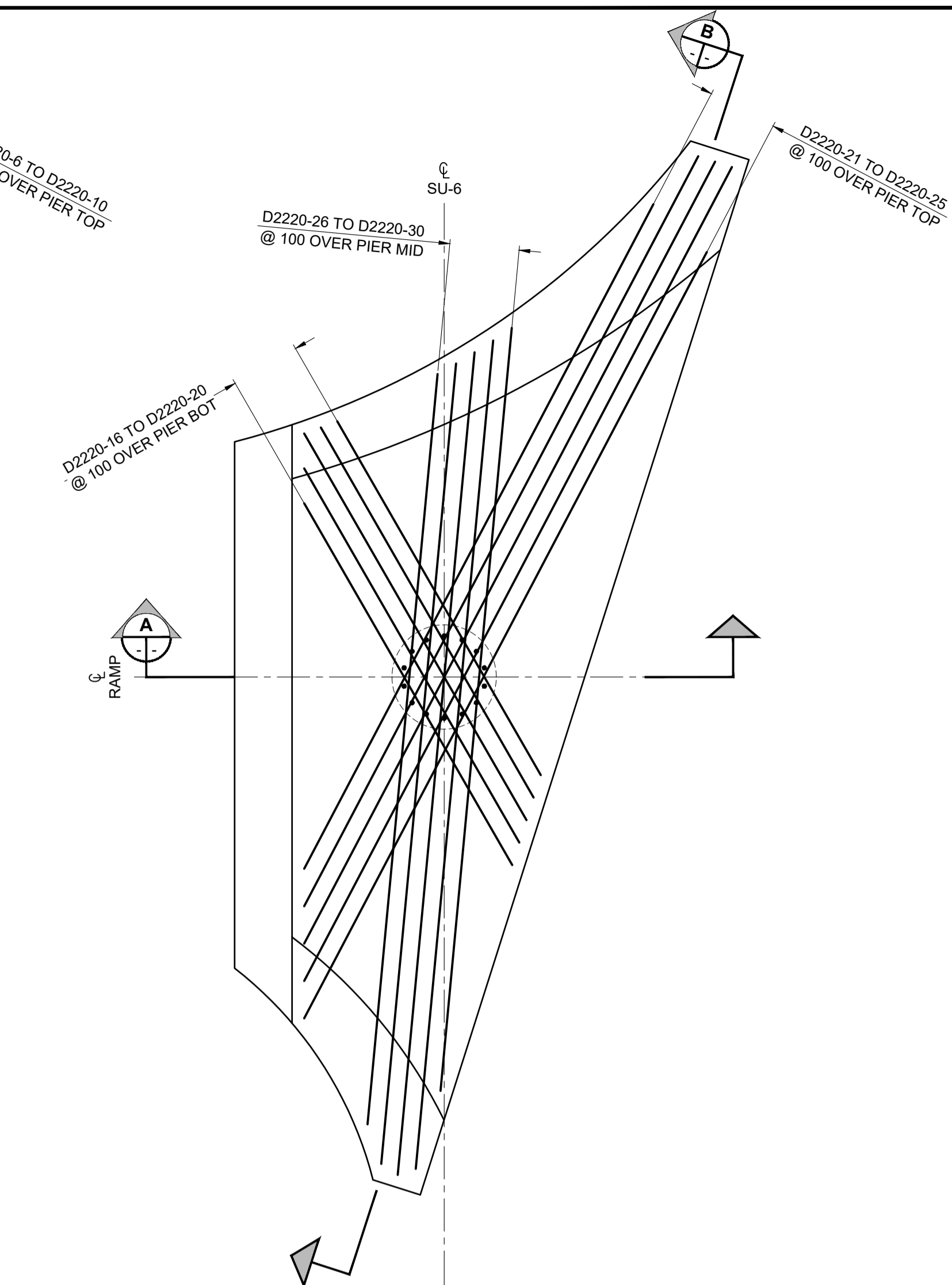
**DIAPHRAGM POUR 1
PRIMARY REINFORCING**



**DIAPHRAGM POUR 2
PRIMARY REINFORCING**

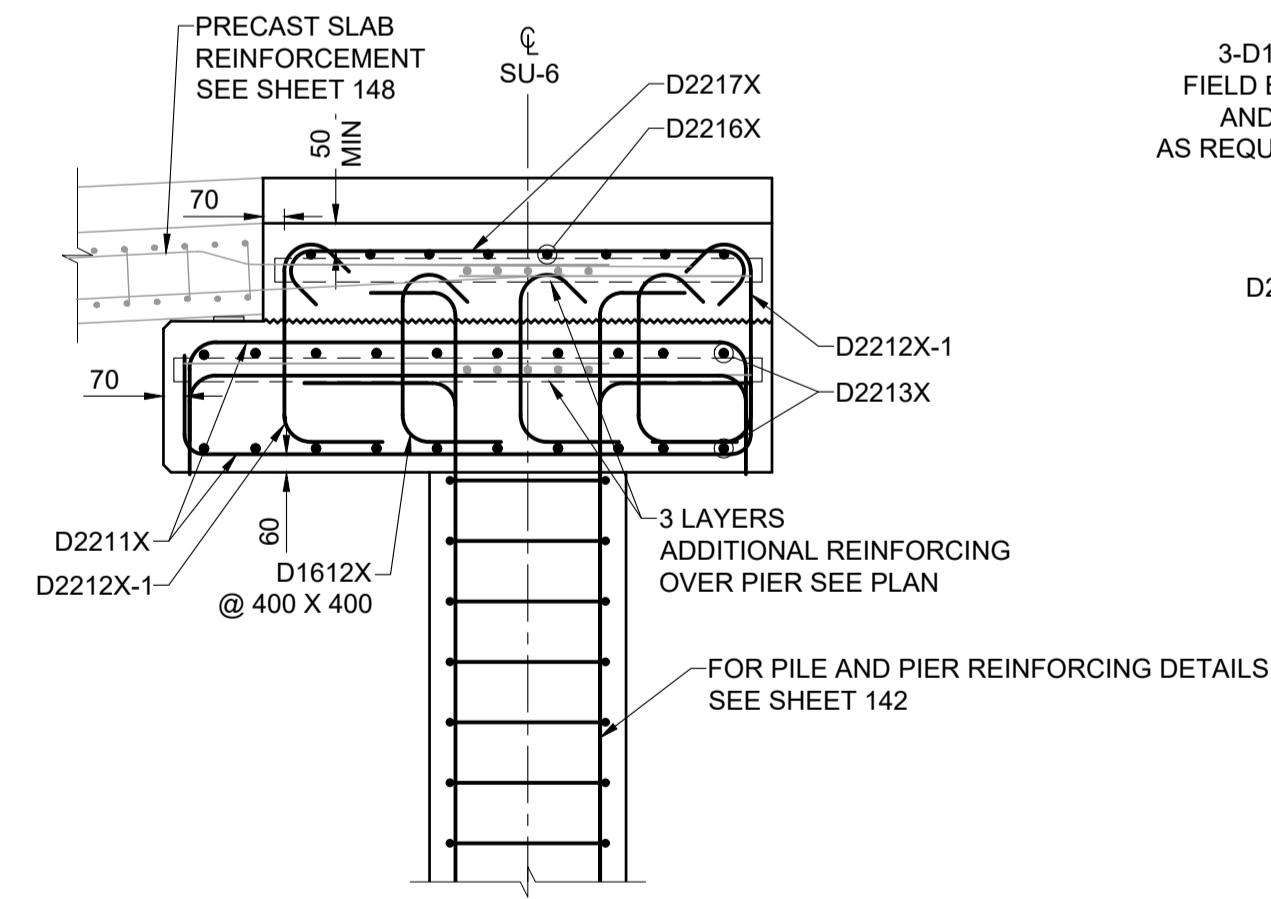


**DIAPHRAGM POUR 1
ADDITIONAL REINFORCING**

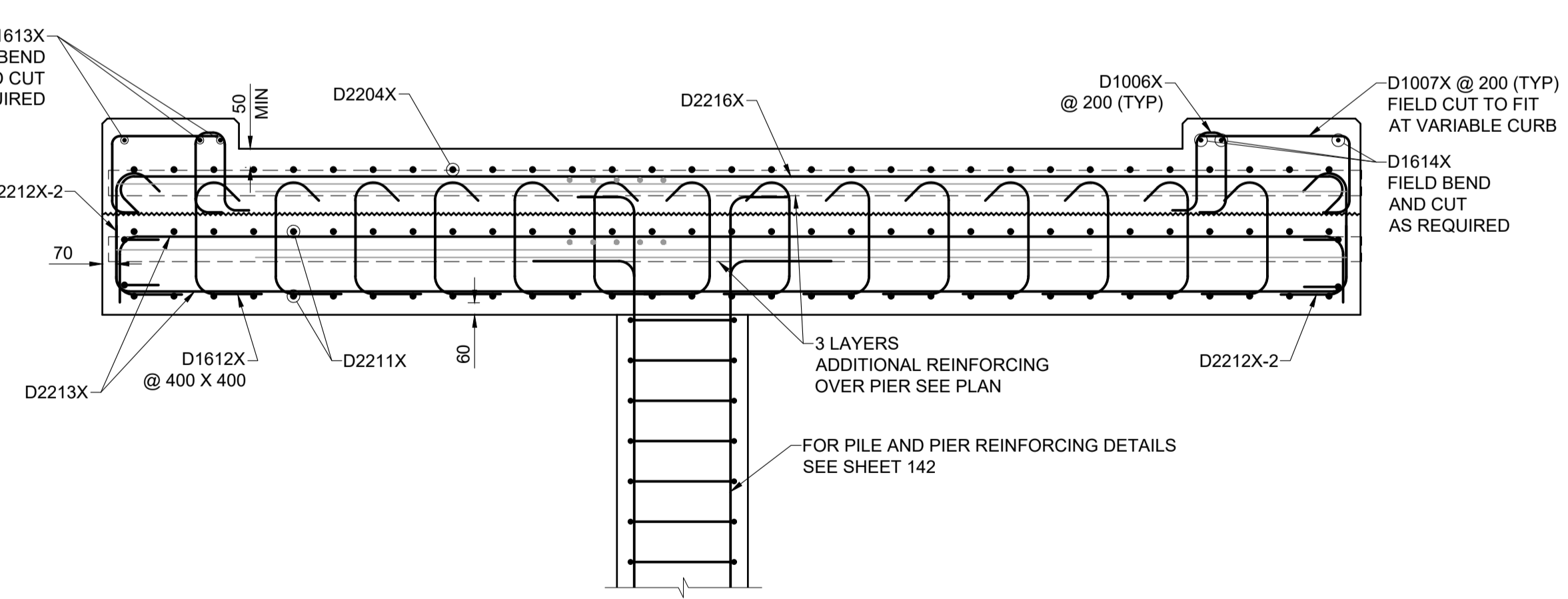


**DIAPHRAGM POUR 2
ADDITIONAL REINFORCING**

PLAN
SU-6 REINFORCING DETAILS
SCALE: 1:25



SECTION A-A
SU-6 DIAPHRAGM
SCALE: 1:25



SECTION B-B
SU-6 DIAPHRAGM
SCALE: 1:25



METRIC
WHOLE NUMBERS INDICATE MILLIMETRES
DECIMALIZED NUMBERS INDICATE METRES

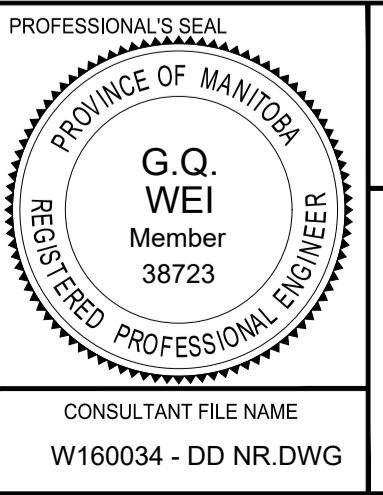
LOCATION APPROVED
UNDERGROUND STRUCTURES

COMMITTEE DATE

NOTE:
LOCATION OF UNDERGROUND STRUCTURES AS SHOWN ARE BASED ON THE BEST INFORMATION AVAILABLE BUT NO GUARANTEE IS GIVEN THAT ALL EXISTING UTILITIES ARE SHOWN OR THAT THE GIVEN LOCATIONS ARE EXACT. CONFIRMATION OF EXISTENCE AND EXACT LOCATION OF ALL SERVICES MUST BE OBTAINED FROM THE INDIVIDUAL UTILITIES BEFORE PROCEEDING WITH CONSTRUCTION.

| No. | REVISIONS | DATE | BY |
|-----|------------------------------|----------|-----|
| B | ISSUED FOR TENDER | 18/09/04 | BAP |
| A | ISSUED FOR 95% DESIGN REVIEW | 18/08/07 | BAP |

| | |
|----------------------------|------------------|
| MORRISON HERSHFIELD | |
| DESIGNED BY: YM | CHECKED BY: GQW |
| DRAWN BY: ALP | APPROVED BY: BAP |
| RELEASED FOR CONSTRUCTION | |
| N/A | |
| DATE | |



THE CITY OF WINNIPEG
PUBLIC WORKS DEPARTMENT
ENGINEERING DIVISION

EMPRESS STREET PROJECT
PEDESTRIAN ACCESSIBILITY RAMPS
NORTH RAMP
DIAPHRAGM REINFORCING DETAILS 2

CITY DRAWING NUMBER: P-3494-146
SHEET 146 OF 168
DRAWING No. 146 REV B

CONSULTANT FILE NAME: W160034 - DD NR.DWG