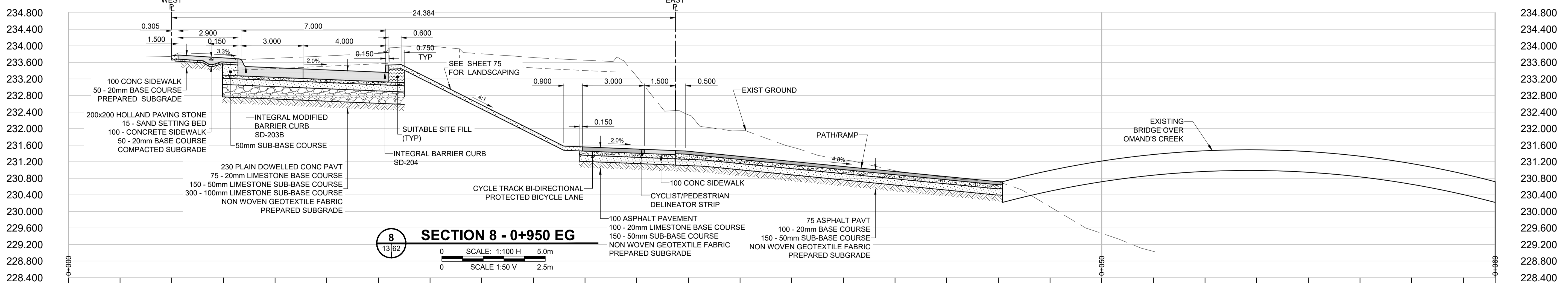
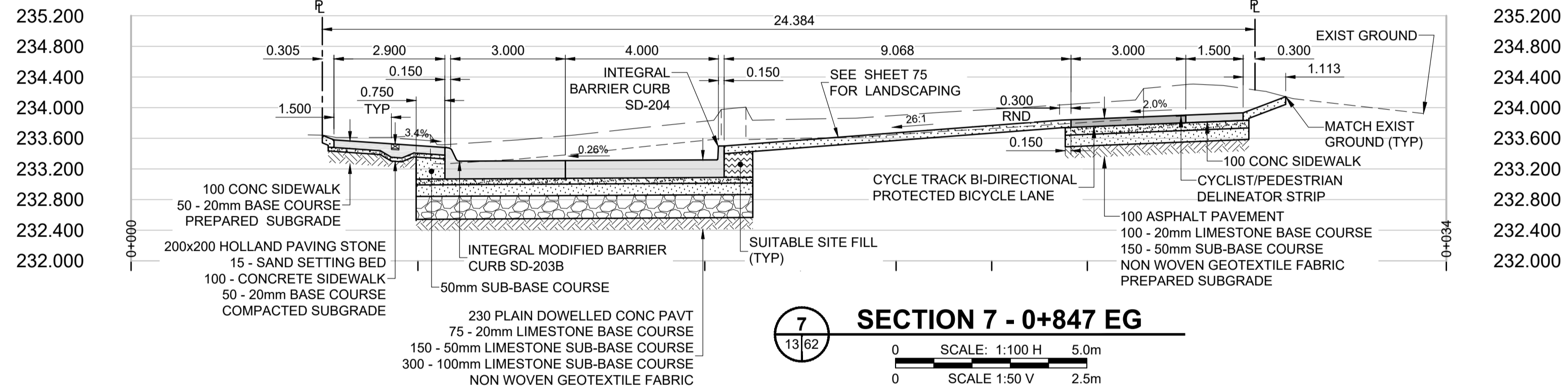
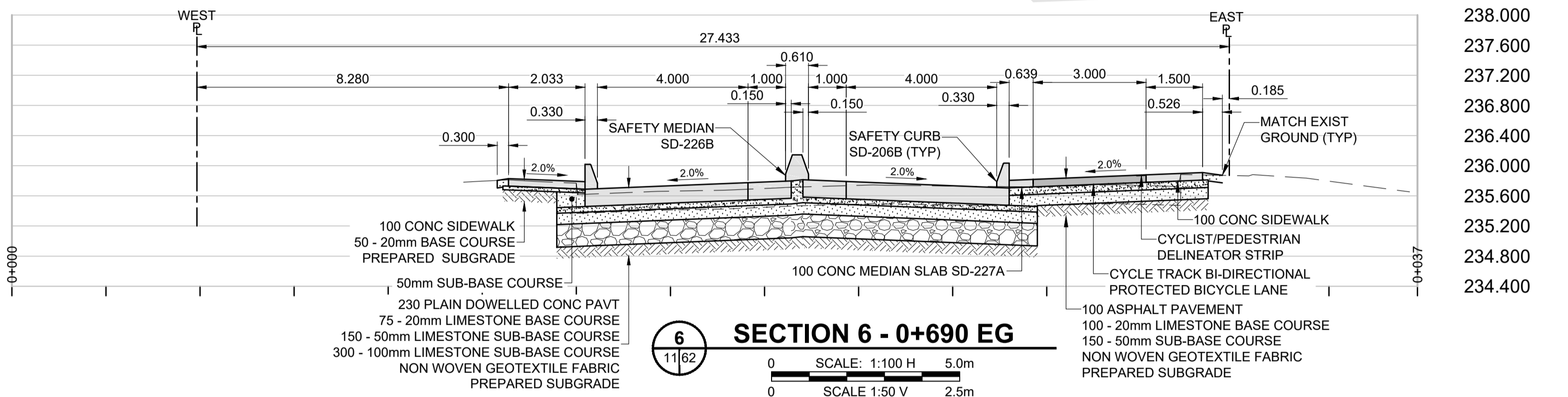
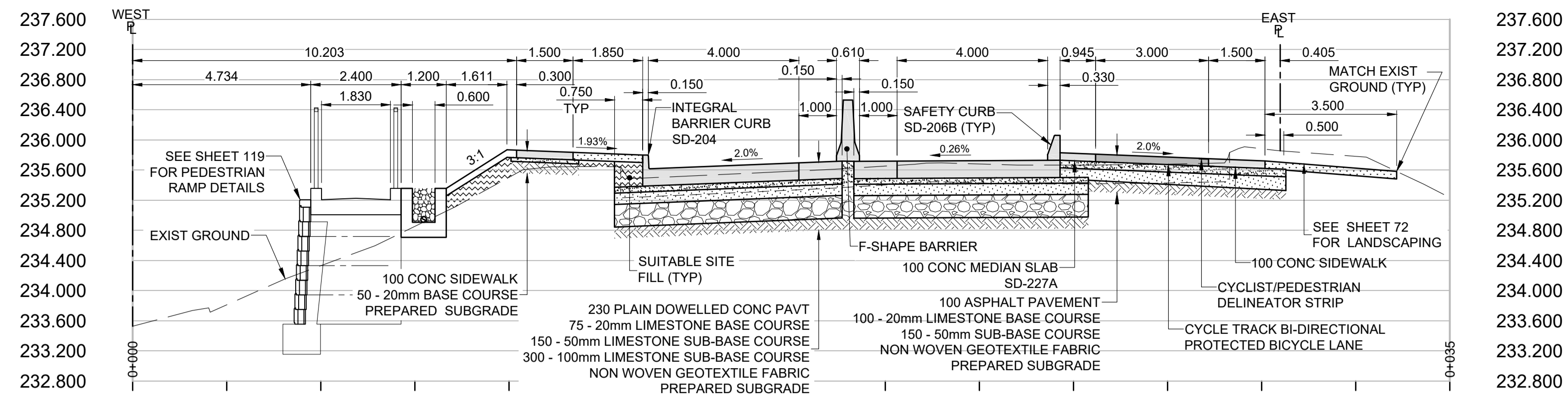


ISO A1 - 564mm x 841mm
 O:\Winnipeg\Proj\1600344-2-Recon\Drawings\1600344-2-Empress-Recon-CS-62.dwg
 Last Saved: 8/16/2018 2:08 PM by D.Doszpod
 Plotted: 8/25/2018 3:13 PM by Daniel Doszpod



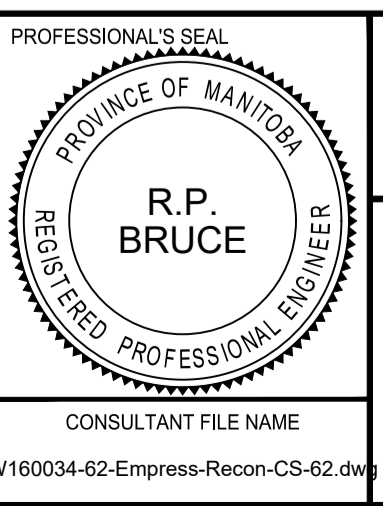
METRIC
 WHOLE NUMBERS INDICATE MILLIMETRES
 DECIMALIZED NUMBERS INDICATE METRES

---	GAS	○	MANHOLE	●	CONCRETE PAVEMENT	---	LOCATION APPROVED
- - -	MTS / PEDESTAL	□	CATCH BASIN / CATCH PIT	■	CONC SIDEWALK / MEDIAN	---	UNDERGROUND STRUCTURES
- - -	HYDRO / CABINET	△	CURB INLET WITH BOX	▲	ASPHALT PAVEMENT	---	DATE
- - -	CATV / FIBRE OPTIC	○	TREE	○	PAVING STONE	---	DATE
- - -	TRAFFIC SIGNALS / PIT	⊕	TEST HOLE	⊕	GRAVEL	---	DATE
- - -	LAND DRAINAGE SEWER	⊕	PROPERTY LINE	---	RAMP CURB	---	DATE
- - -	SANITARY/COMBINED SEWER	⊕	SURVEY BAR	---	PLANING / REMOVAL	---	DATE
- - -	CB LEAD / SSP / DCP	⊕	FENCE	---			
- - -	WATER MAIN	⊕	BOC / EDGE OF PAVEMENT	---			
- - -	SUBDRAIN	⊕	ELEVATION	(33.333)			
- - -	DITCH	---	TRAFFIC SIGN	---			
---	EXISTING	---	LEGEND - PLAN	---	EXISTING	LEGEND - PLAN	---
---	NEW	---	LEGEND - PLAN	---	NEW	LEGEND - PLAN	---

LOCATION APPROVED
 UNDERGROUND STRUCTURES
 SUPR. U/G STRUCTURES COMMITTEE DATE
 NOTE: LOCATION OF UNDERGROUND STRUCTURES AS SHOWN ARE BASED ON THE BEST INFORMATION AVAILABLE BUT NO GUARANTEE IS GIVEN THAT ALL EXISTING UTILITIES ARE SHOWN OR THAT THE GIVEN LOCATIONS ARE EXACT. CONFIRMATION OF EXISTENCE AND EXACT LOCATION OF ALL SERVICES MUST BE OBTAINED FROM THE INDIVIDUAL UTILITIES BEFORE PROCEEDING WITH CONSTRUCTION.

B	ISSUED FOR TENDER	18/09/04	RPB	HOR SCALE	1:100
A	ISSUED FOR CLIENT REVIEW	18/06/27	RPB	VERT SCALE	1:50
No.	REVISIONS	YY/MM/DD	BY	DATE	18/09/04

DESIGNED BY	WRJ	CHECKED BY	RPB
DRAWN BY	DID	APPROVED BY	BWB
RELEASED FOR CONSTRUCTION		N/A	
DATE		18/09/04	



THE CITY OF WINNIPEG
 PUBLIC WORKS DEPARTMENT
 ENGINEERING DIVISION

EMPRESS STREET PROJECT
 PAVEMENT RECONSTRUCTION
 CROSS SECTIONS
 SECTIONS 5, 6, 7, & 8

CITY DRAWING NUMBER: P-3494-62
 SHEET 62 OF 168
 DRAWING No. 62 REV B

BID OPPORTUNITY No. 602-2018