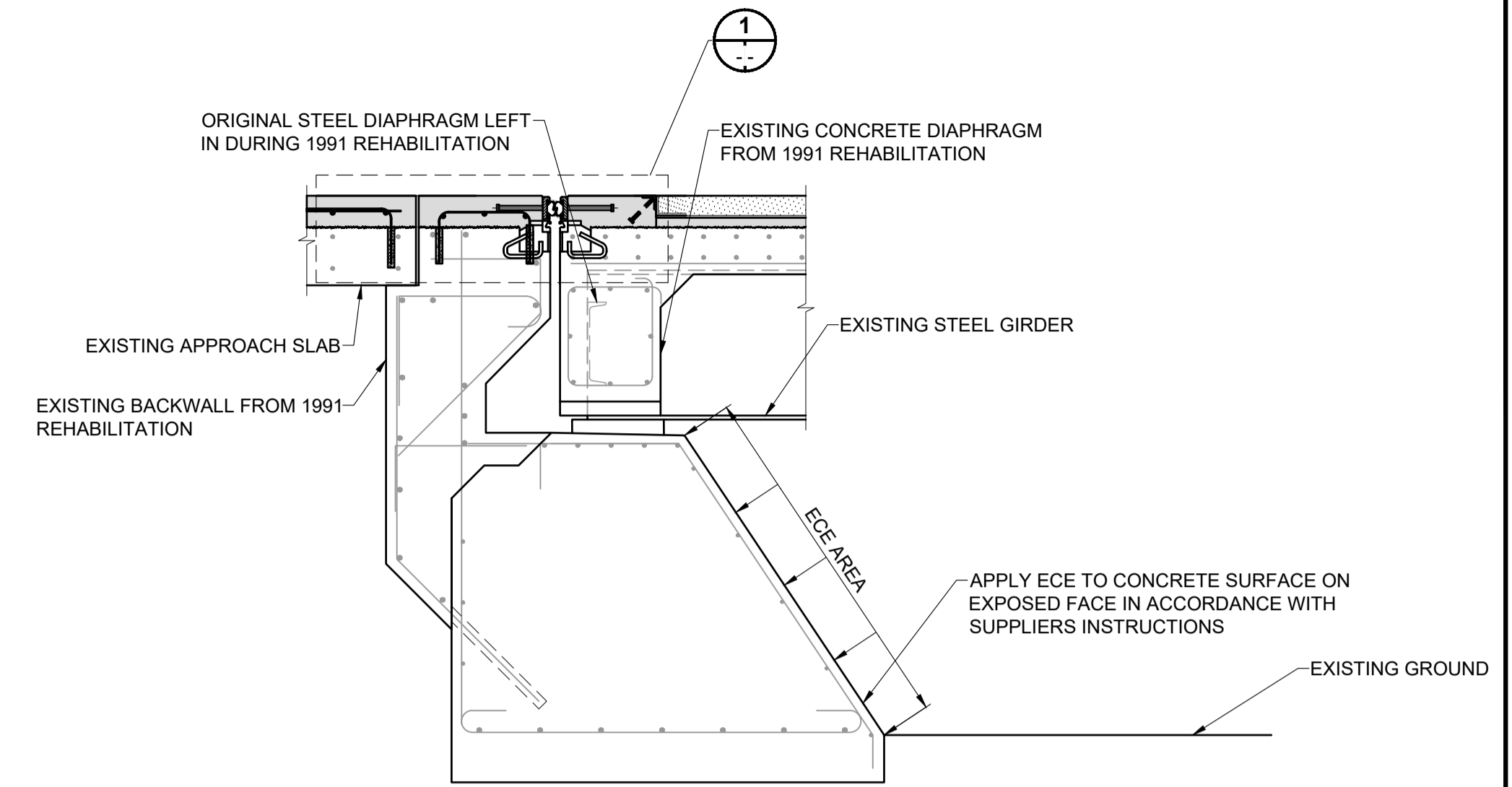


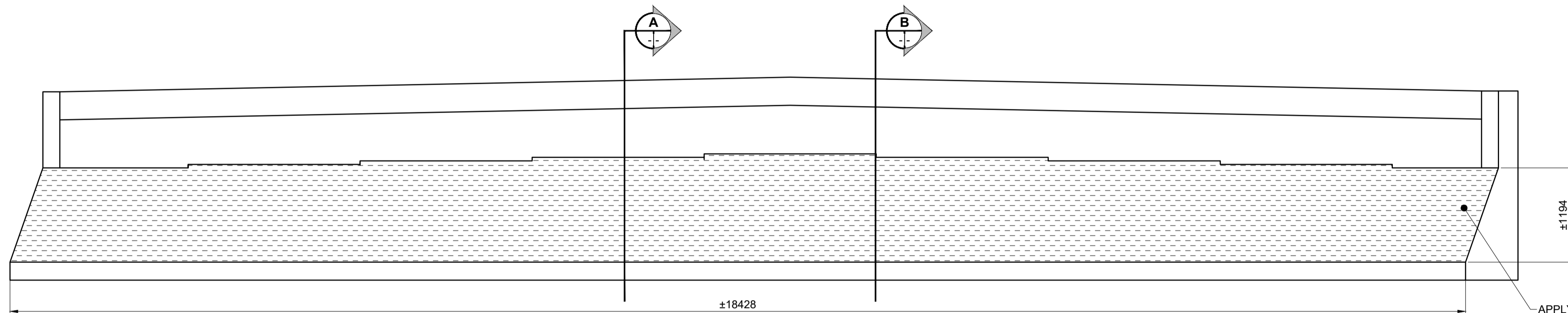
**NORTH AND SOUTH ABUTMENT PLAN VIEW - ECE EXTENTS**

SCALE: 1:40



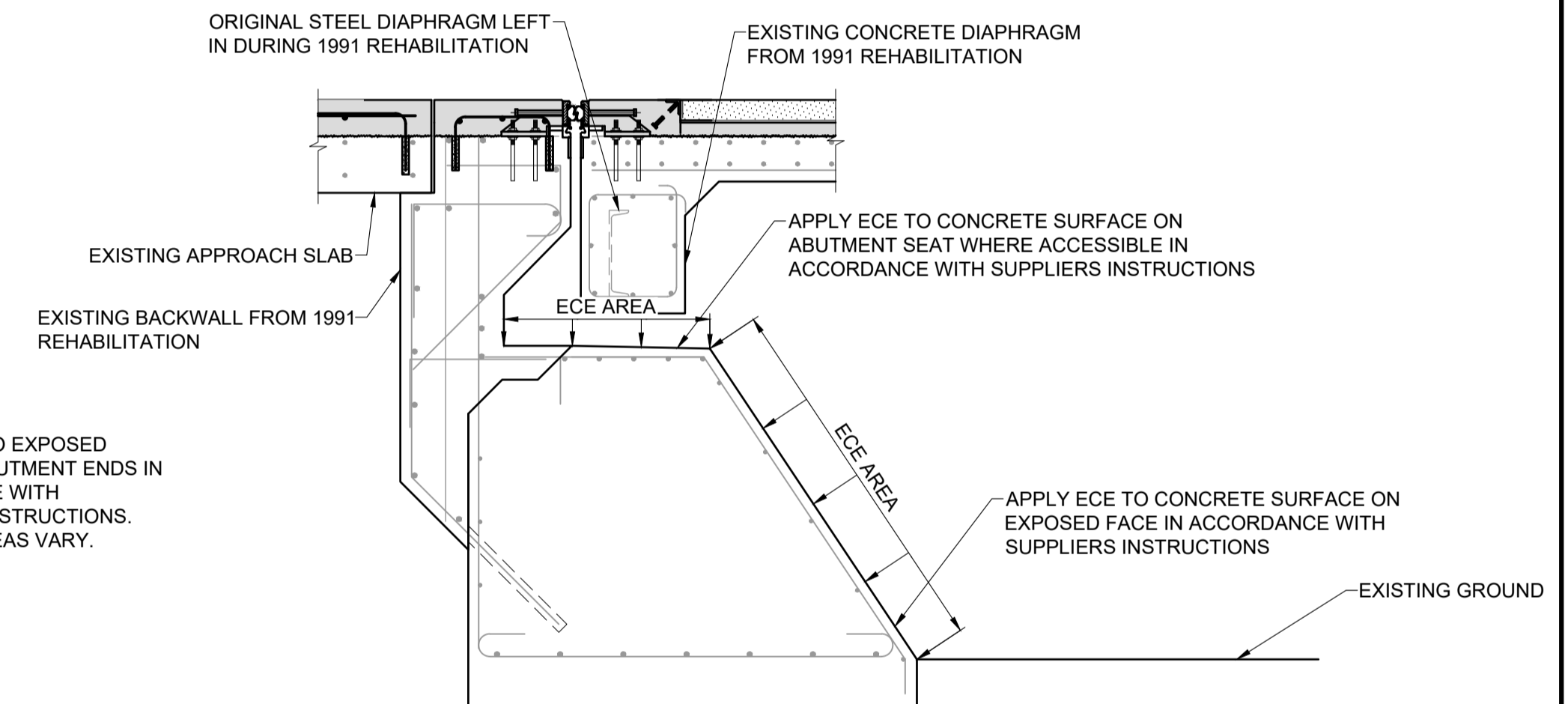
**SECTION: ECE EXTENTS AT GIRDERS**

SCALE: 1:25



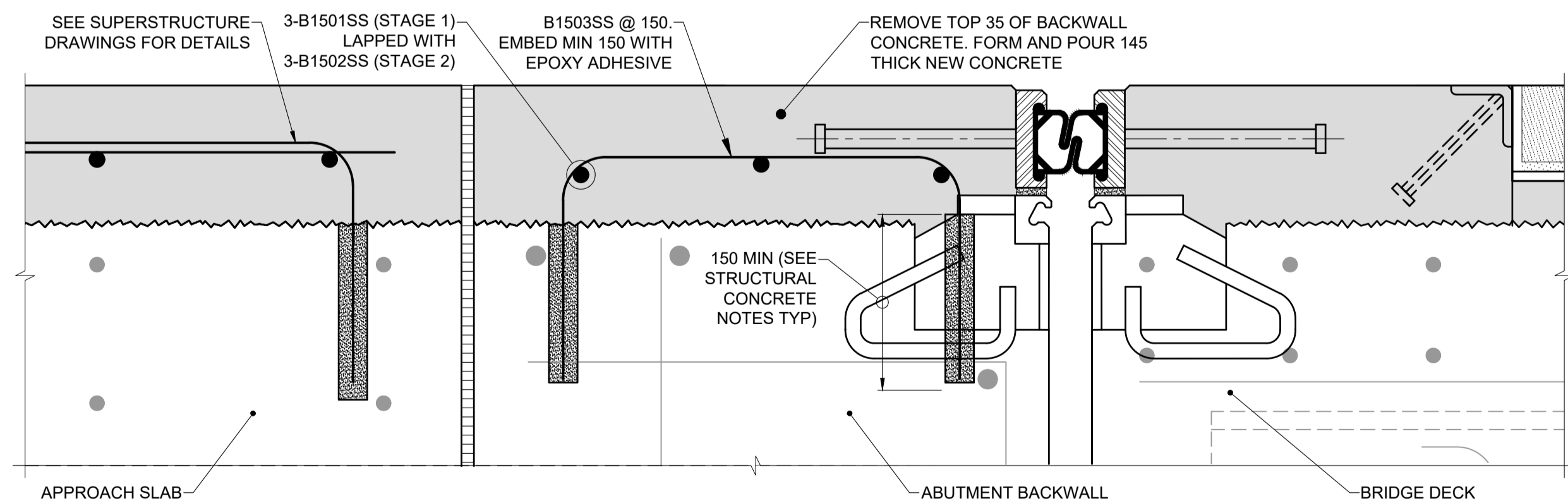
**NORTH AND SOUTH ABUTMENT FRONT ELEVATION - ECE EXTENTS**

SCALE: 1:40



**SECTION: ECE EXTENTS BETWEEN GIRDERS**

SCALE: 1:25



**DETAIL - ABUTMENT BACKWALL REHABILITATION**

SCALE: 1:5

**LEGEND:**

- NEW CONCRETE
- ECE EXTENTS

**STRUCTURAL CONCRETE NOTES:**

1. EPOXY GROUT FOR DOWELS SHALL BE HILTI HIT-RE 500-V3 OR EQUIVALENT.
2. ALL STEEL DOWELS SHALL BE 15M @ 150 O.C. WITH 150mm EMBEDMENT UNLESS NOTED OTHERWISE.



**METRIC**  
WHOLE NUMBERS INDICATE MILLIMETRES  
DECIMALIZED NUMBERS INDICATE METRES

**LOCATION APPROVED UNDERGROUND STRUCTURES**

NOTE:  
LOCATION OF UNDERGROUND STRUCTURES AS SHOWN ARE BASED ON THE BEST INFORMATION AVAILABLE BUT NO GUARANTEE IS GIVEN THAT ALL EXISTING UTILITIES ARE SHOWN OR THAT THE GIVEN LOCATIONS ARE EXACT. CONFIRMATION OF EXISTENCE AND EXACT LOCATION OF ALL SERVICES MUST BE OBTAINED FROM THE INDIVIDUAL UTILITIES BEFORE PROCEEDING WITH CONSTRUCTION.

No.	REVISIONS	DATE	BY
D	ISSUED FOR TENDER	18/09/04	BAP
C	ISSUED FOR 95% DESIGN REVIEW	18/08/07	BAP
B	ISSUED FOR 50% DESIGN REVIEW REV 1	18/06/28	AG
A	ISSUED FOR 50% DESIGN REVIEW	18/04/03	AF

<b>MORRISON HERSHFIELD</b>		DESIGNED BY: AG		CHECKED BY: BAP	
DRAWN BY: AH		APPROVED BY: BE		RELEASED FOR CONSTRUCTION	
HOR SCALE: AS SHOWN		VERT SCALE: AS SHOWN		N/A	
DATE		DATE		DATE	

PROFESSIONAL'S SEAL  
PROVINCE OF MANITOBA  
**A.D.G. GILARSKI**  
Member  
32144  
REGISTERED PROFESSIONAL ENGINEER  
CONSULTANT FILE NAME  
W160034 - DD SU.DWG

**THE CITY OF WINNIPEG**  
PUBLIC WORKS DEPARTMENT  
ENGINEERING DIVISION

**EMPRESS STREET PROJECT**  
OVERPASS REHABILITATION WORKS  
SUBSTRUCTURE  
NORTH AND SOUTH ABUTMENT REHABILITATION

CITY DRAWING NUMBER: P-3494-98  
SHEET 98 OF 168  
DRAWING No. 98 REV D

BID OPPORTUNITY No. 602-2018