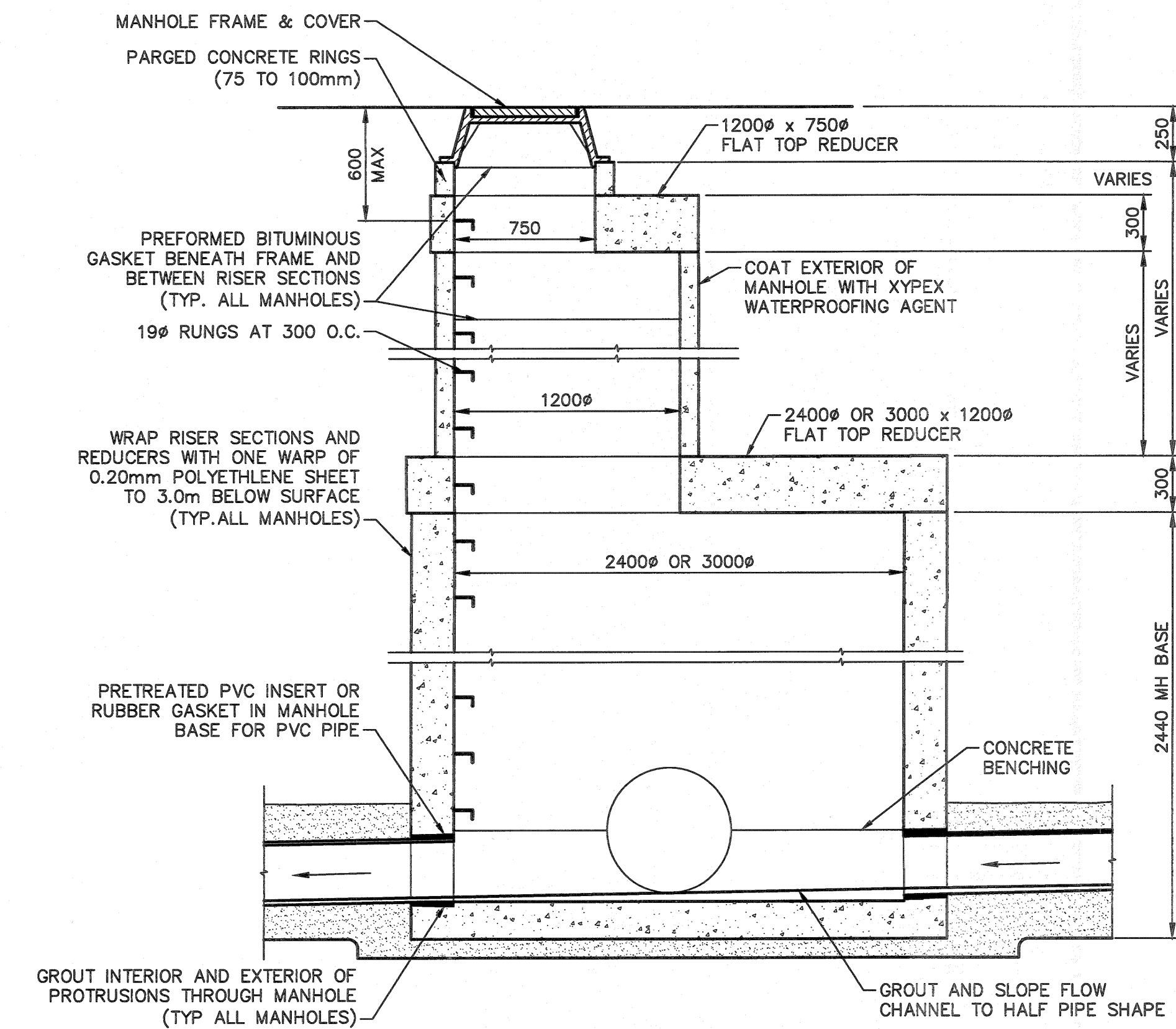
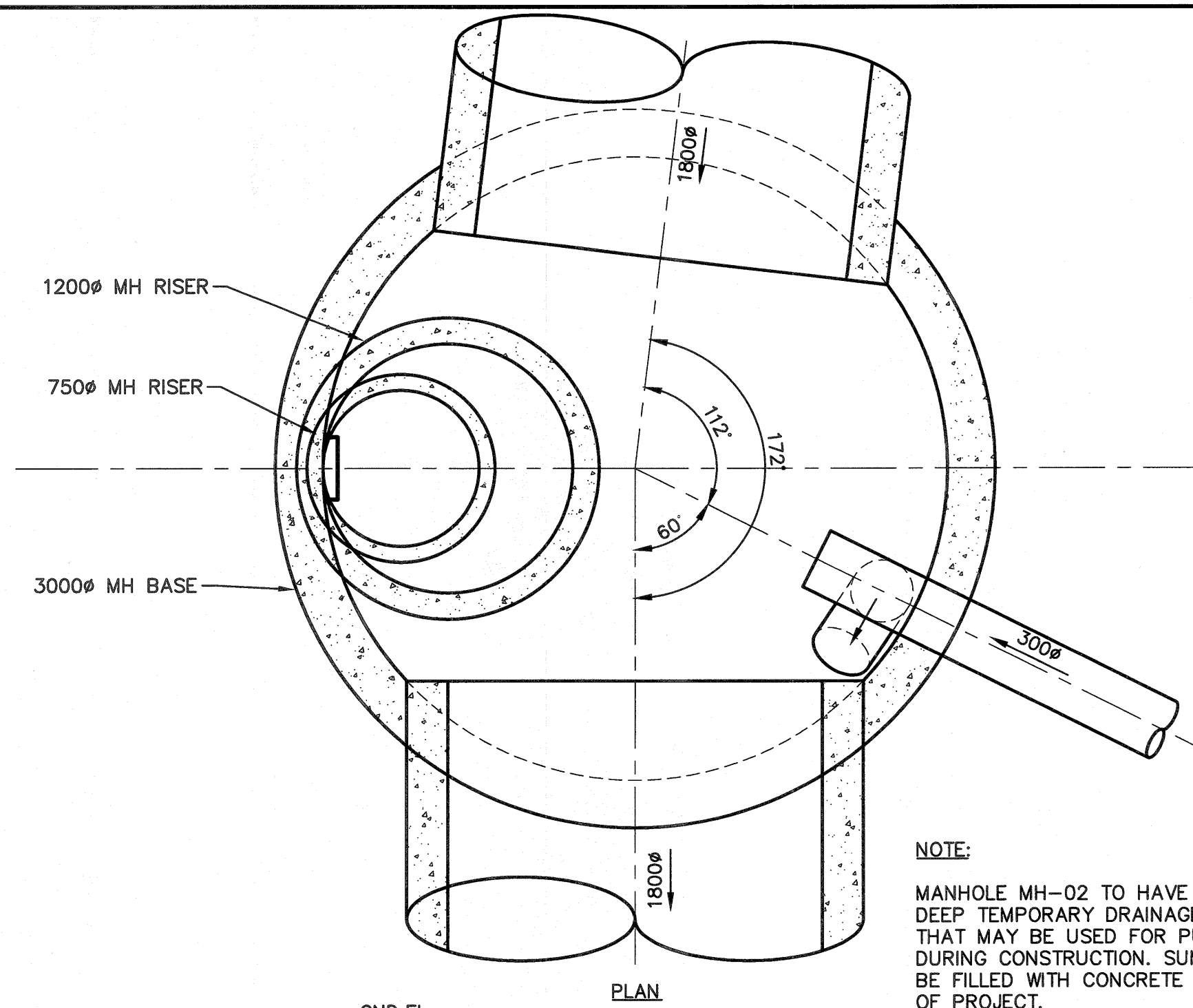


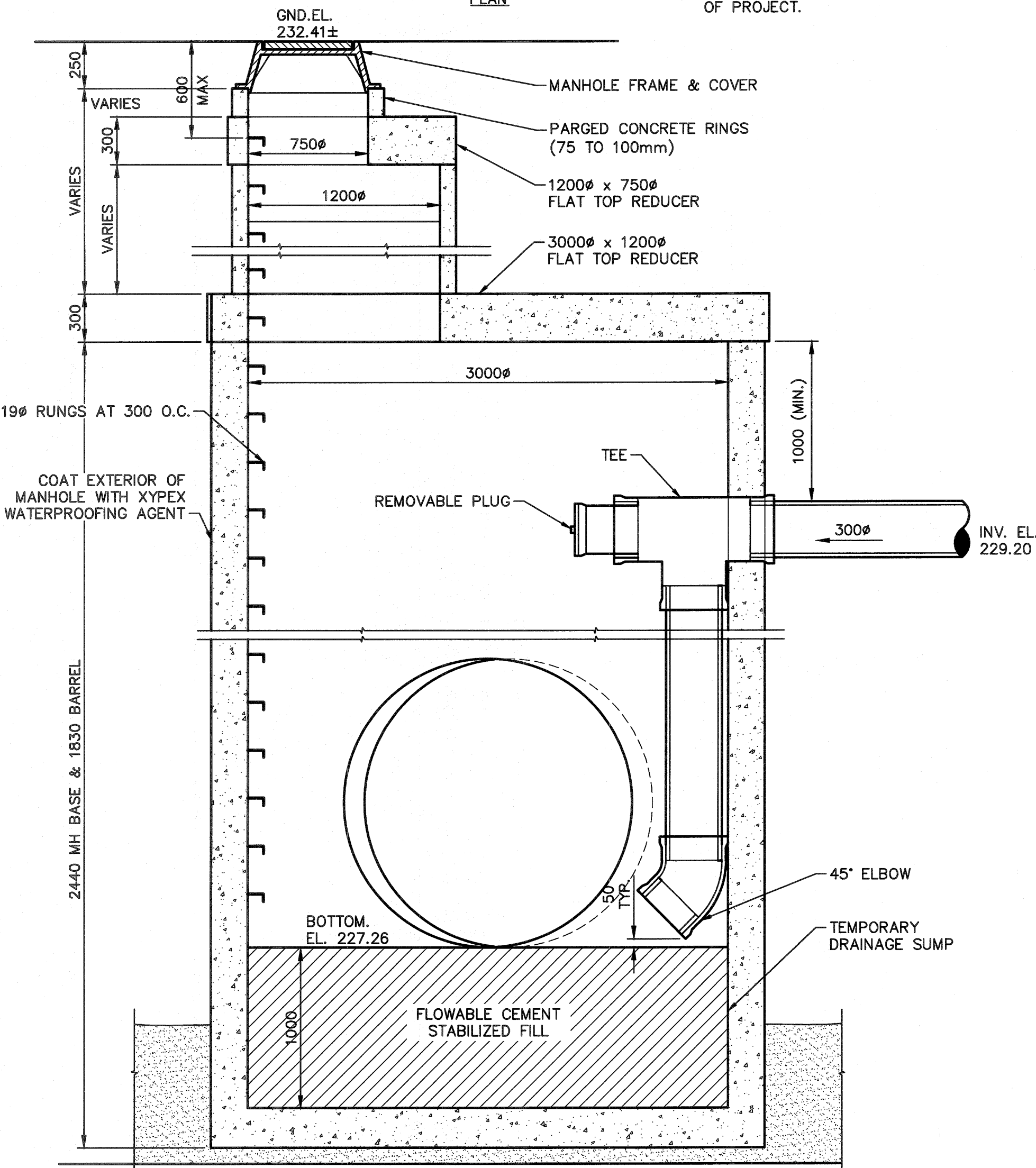
TYPICAL 1200 ϕ - 1500 ϕ MANHOLE DETAIL
SCALE 1:25



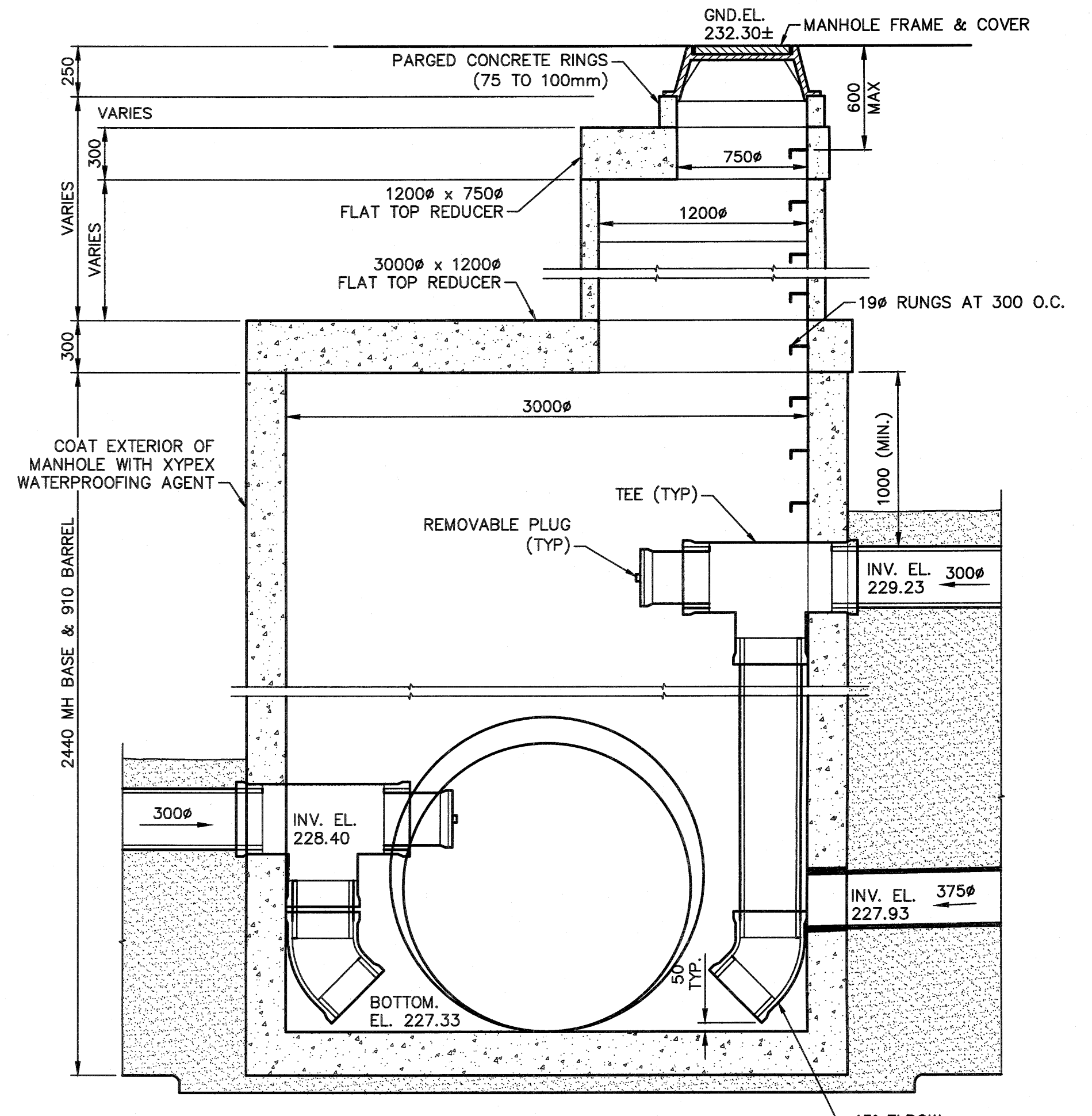
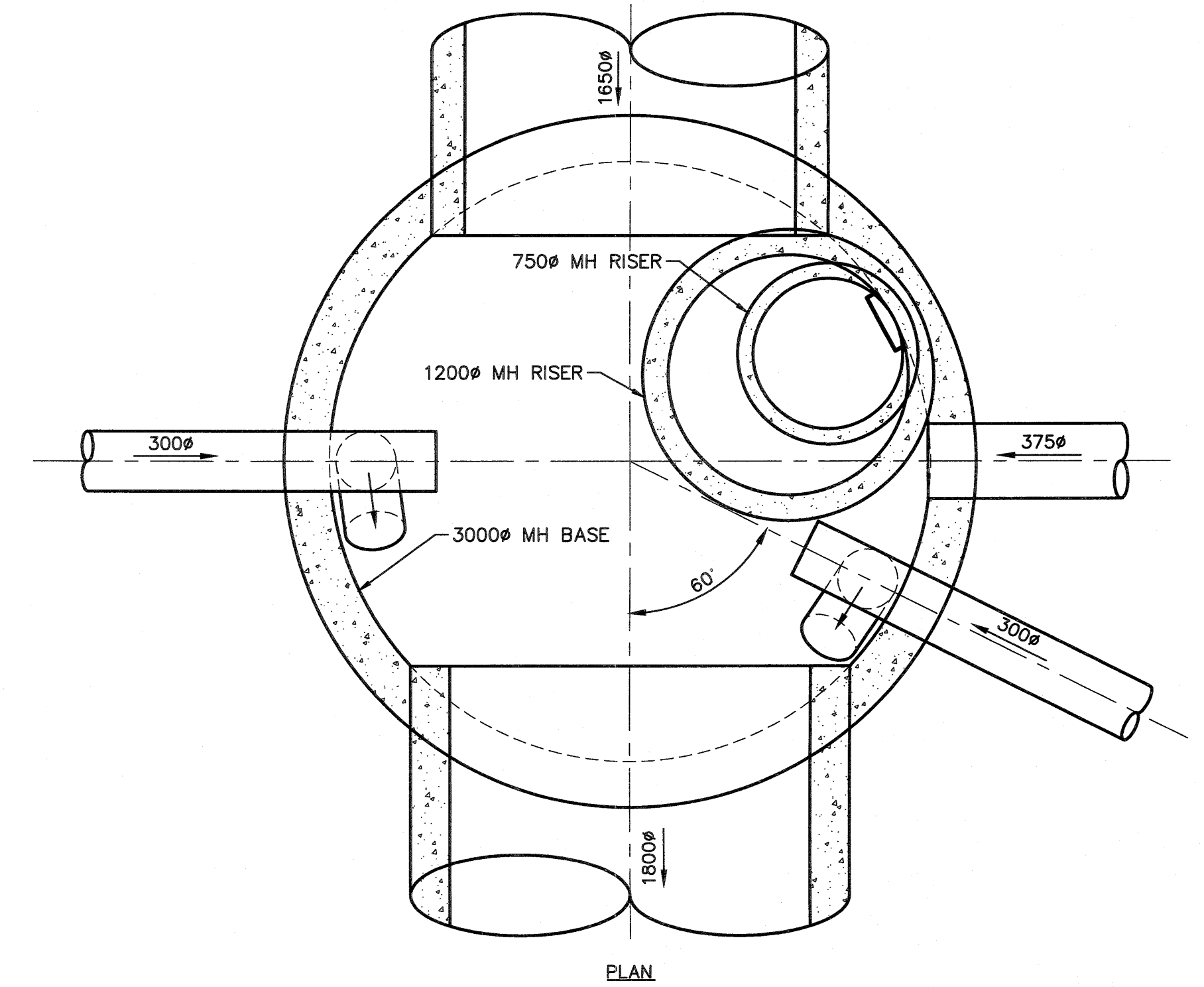
TYPICAL LARGE DIAMETER MANHOLE DETAIL
SCALE 1:25



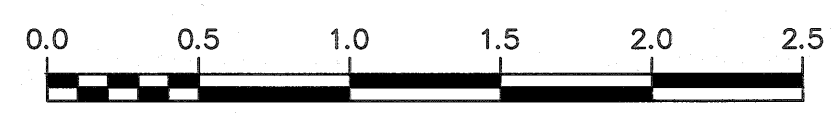
NOTE:
MANHOLE MH-02 TO HAVE 1.0 DEEP TEMPORARY DRAINAGE SUMP THAT MAY BE USED FOR PUMPING DURING CONSTRUCTION. SUMP TO BE FILLED WITH CONCRETE AT END OF PROJECT.



LARGE DIAMETER DROP MANHOLE (MH-02)
SCALE 1:25



LARGE DIAMETER DROP MANHOLE (MH-03)
SCALE 1:25



METRIC
WHOLE NUMBERS INDICATE MILLIMETRES
DECIMALIZED NUMBERS INDICATE METRES

ENGINEERS
GEOSCIENTISTS
MANITOBA
Certificate of Authorization
KGS Group
No. 245

WARNING
IF POWER EQUIPMENT OR EXPLOSIVES ARE TO BE USED FOR EXCAVATION ON THIS PROJECT THE CONTRACTOR MUST:
1) NOTIFY THE GAS COMPANY OF THE PROPOSED LOCATION OF EXCAVATION.
2) TAKE PRECAUTION TO AVOID DAMAGE TO GAS COMPANY INSTALLATIONS.
SEE PROVINCIAL REGULATION 210/72 FOR DETAILS

LOCATION APPROVED
UNDERGROUND STRUCTURES
SUPV. U/G STRUCTURES COMMITTEE DATE
NOTE:
LOCATION OF UNDERGROUND STRUCTURES AS SHOWN ARE BASED ON THE BEST INFORMATION AVAILABLE BUT NO GUARANTEE IS GIVEN THAT ALL EXISTING UTILITIES ARE SHOWN OR THAT THE GIVEN LOCATIONS ARE EXACT. CONFIRMATION OF EXISTENCE AND EXACT LOCATION OF ALL SERVICES MUST BE OBTAINED FROM THE INDIVIDUAL UTILITIES BEFORE PROCEEDING WITH CONSTRUCTION.

| NO. | ISSUED FOR CONSTRUCTION | DATE | BY |
|-----|-------------------------|------------|----|
| 0 | ISSUED FOR CONSTRUCTION | 2018 08 17 | |
| | REVISIONS | DATE | BY |

| DESIGNED BY | MID | CHECKED BY |
|-------------|-----------------|---------------|
| DRAWN BY | GEL | APPROVED BY |
| SCALE: | HORIZONTAL 1:25 | VERTICAL - |
| DATE | 2018 08 17 | DATE 08-17-18 |

KGS GROUP
CONSULTING ENGINEERS
ENGINEER'S SEAL
CONSULTANT DRAWING NUMBER
11-0107-18-C11_LD-8613

THE CITY OF WINNIPEG
WATER AND WASTE DEPARTMENT
ENGINEERING DIVISION
COCKBURN & CALROSSIE SEWER RELIEF WORKS
CONTRACT 11
MANHOLE DETAILS (MUNICIPAL)
SHEET 20 OF 22
CITY DRAWING NUMBER
LD-8613