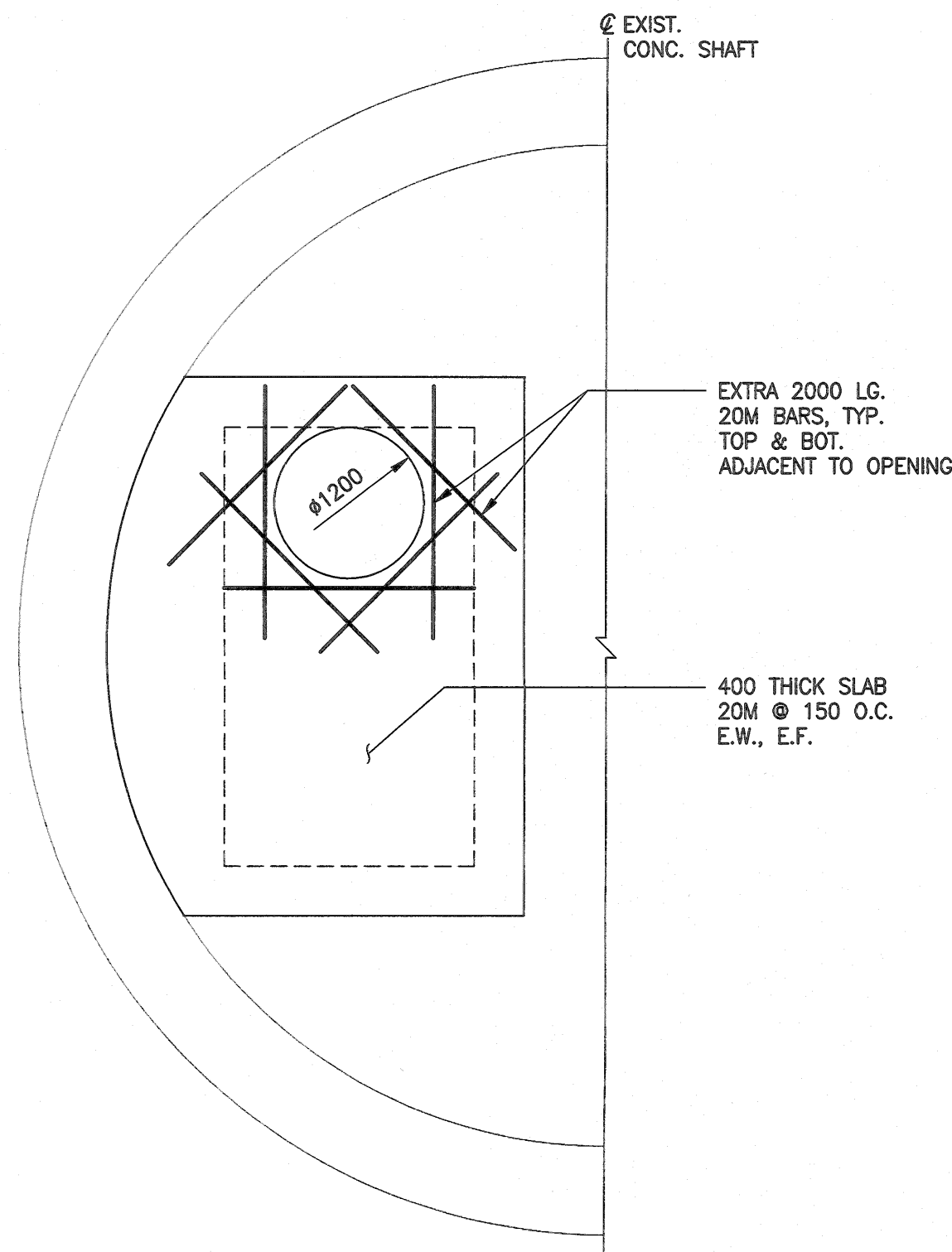
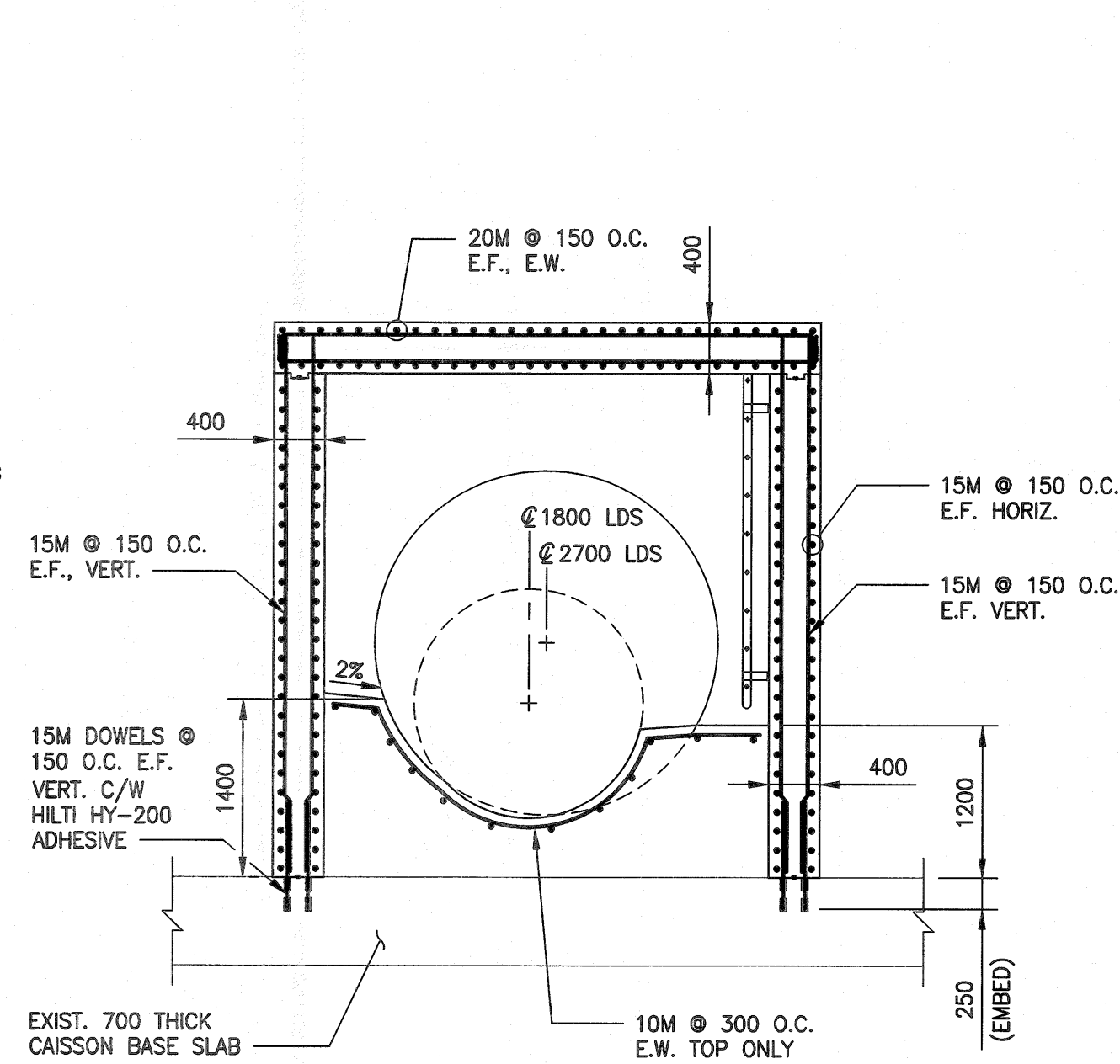


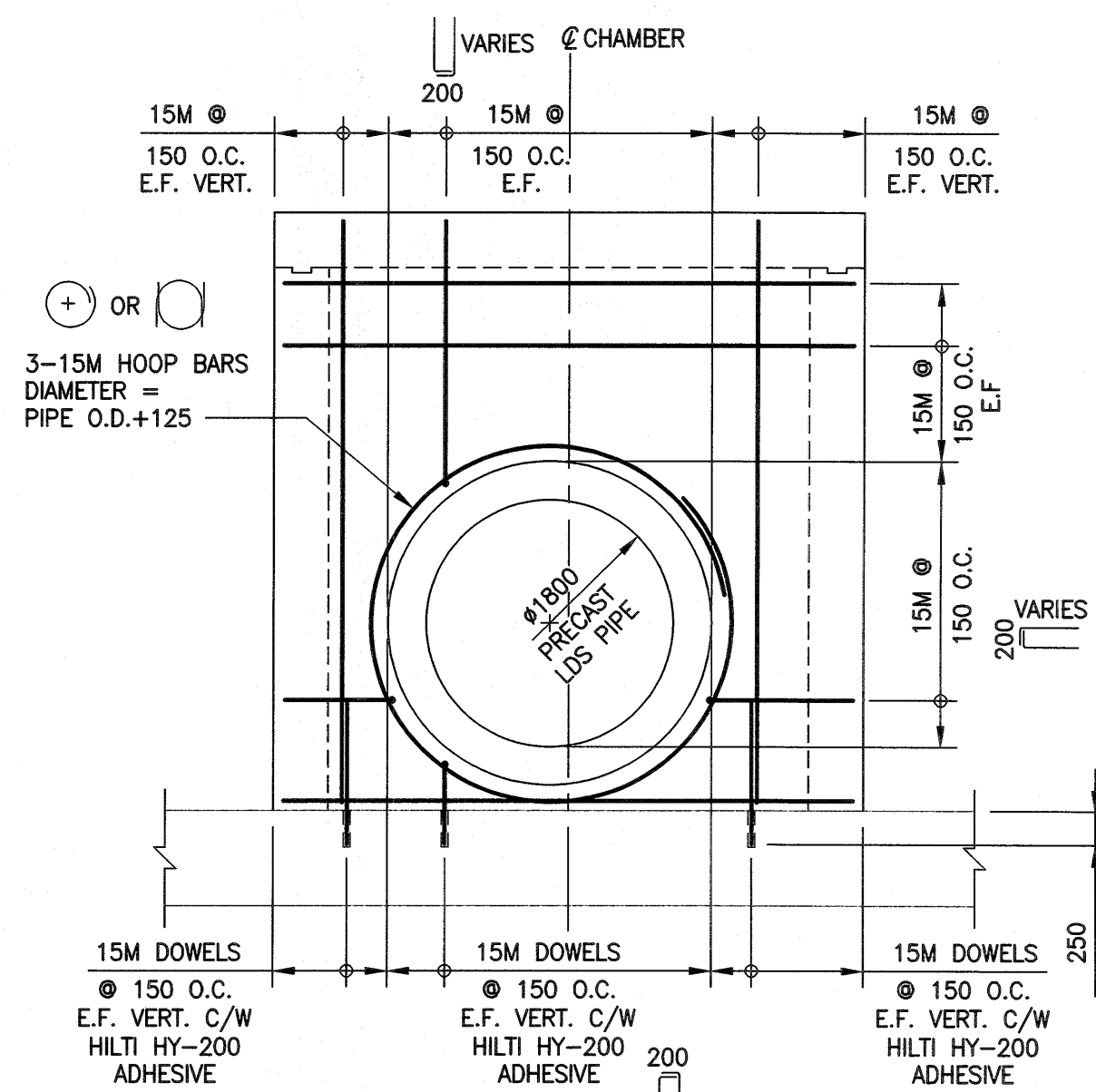
File Name: P:\Projects\2011\11-0107-18\LD-8632.dwg - Tab: S12 Plotted By: dderoche 08/17/2018 [Fri 1:54pm]



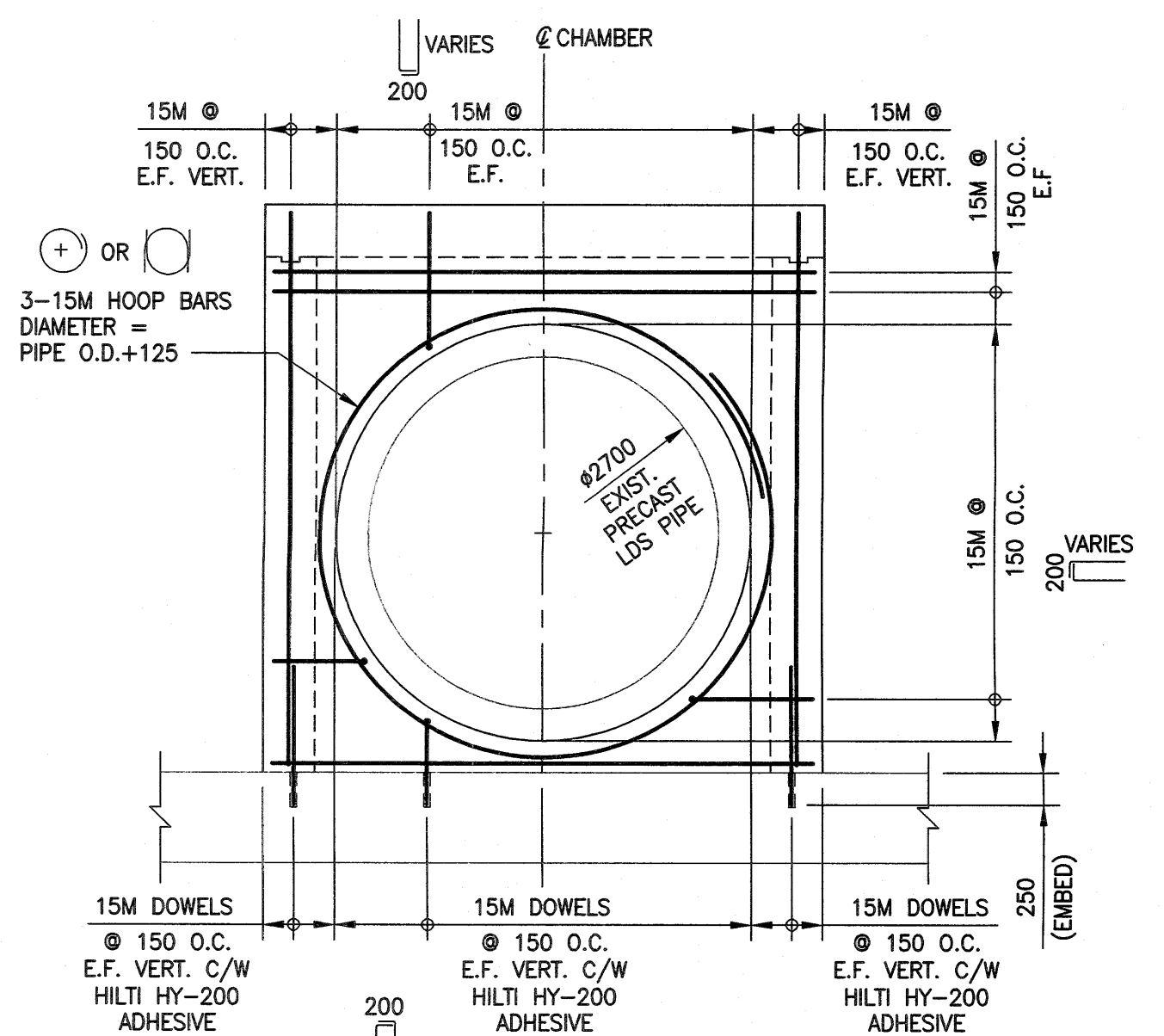
ROOF REINFORCING
SCALE: 1:50



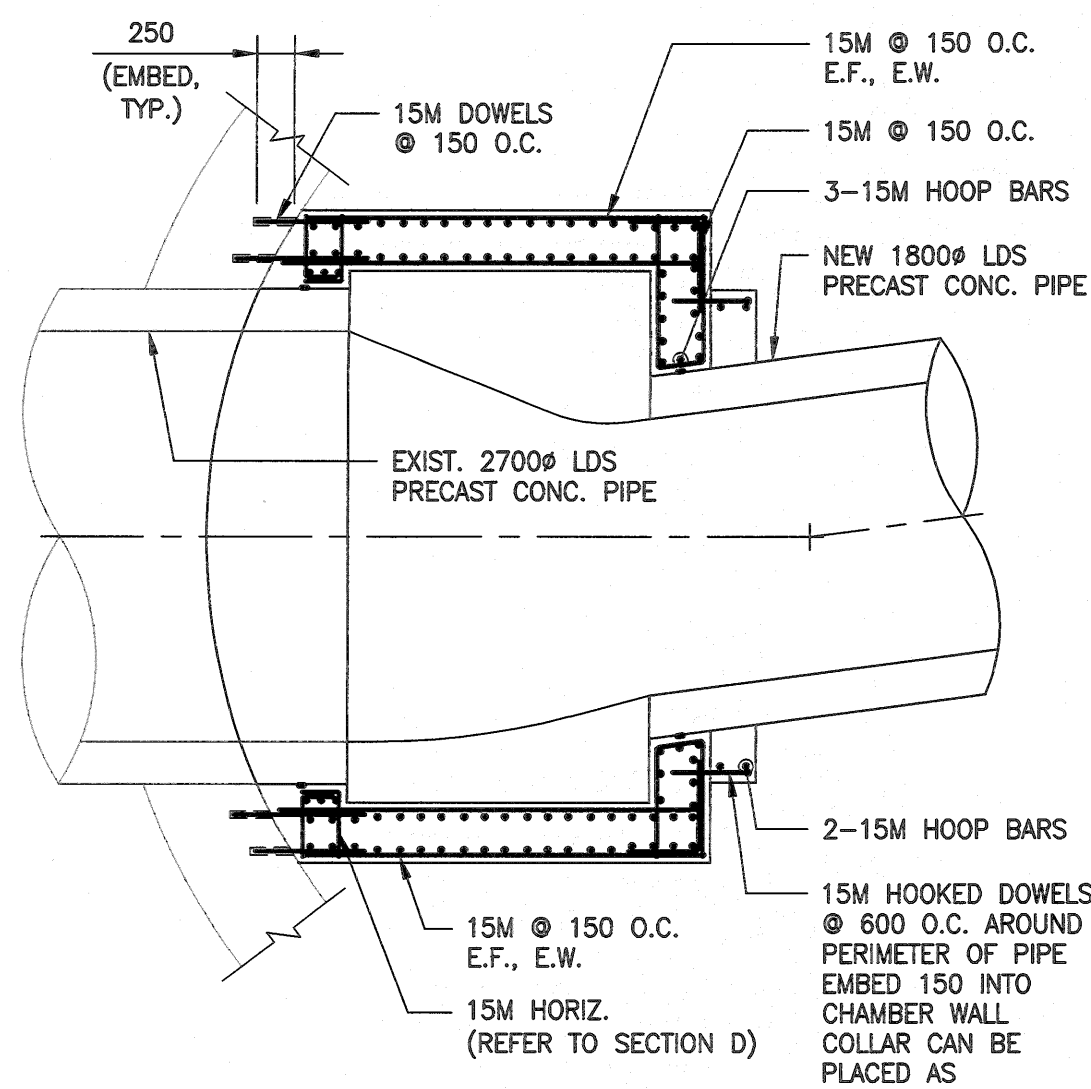
B SECTION
S11-01 SCALE: 1:50



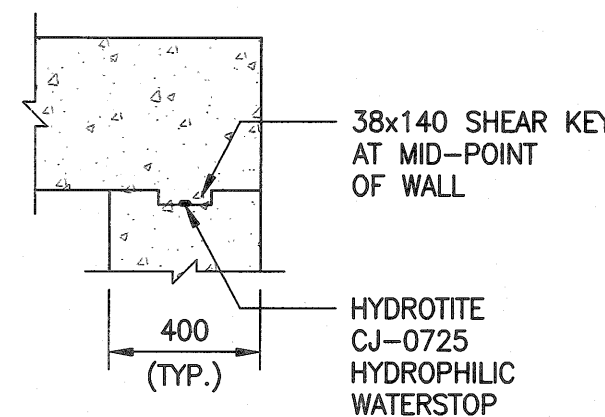
C SECTION
S11-01 SCALE: 1:50



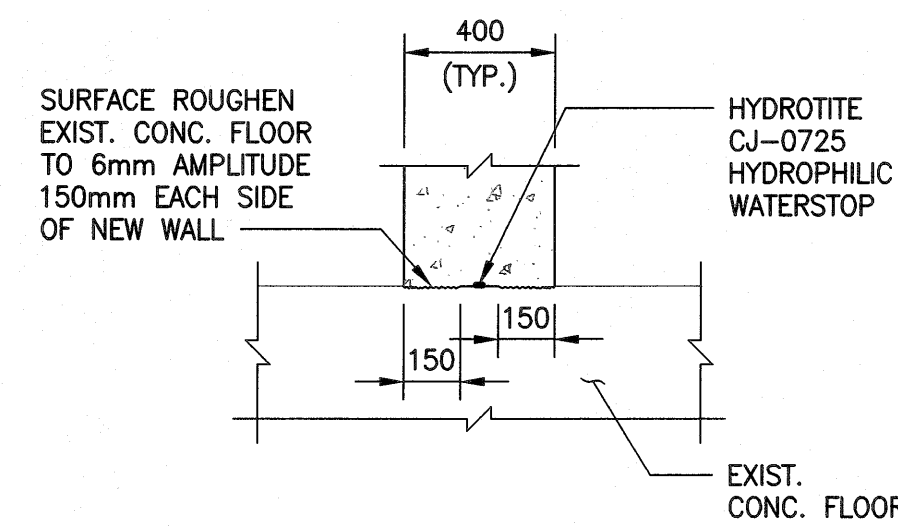
D SECTION
S11-01 SCALE: 1:50



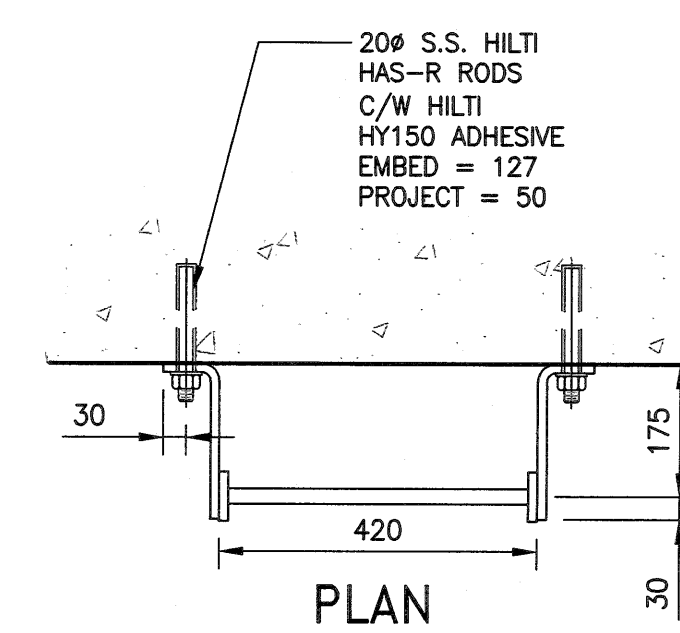
REINFORCEMENT PLAN @ EL. 225.680
SCALE: 1:50



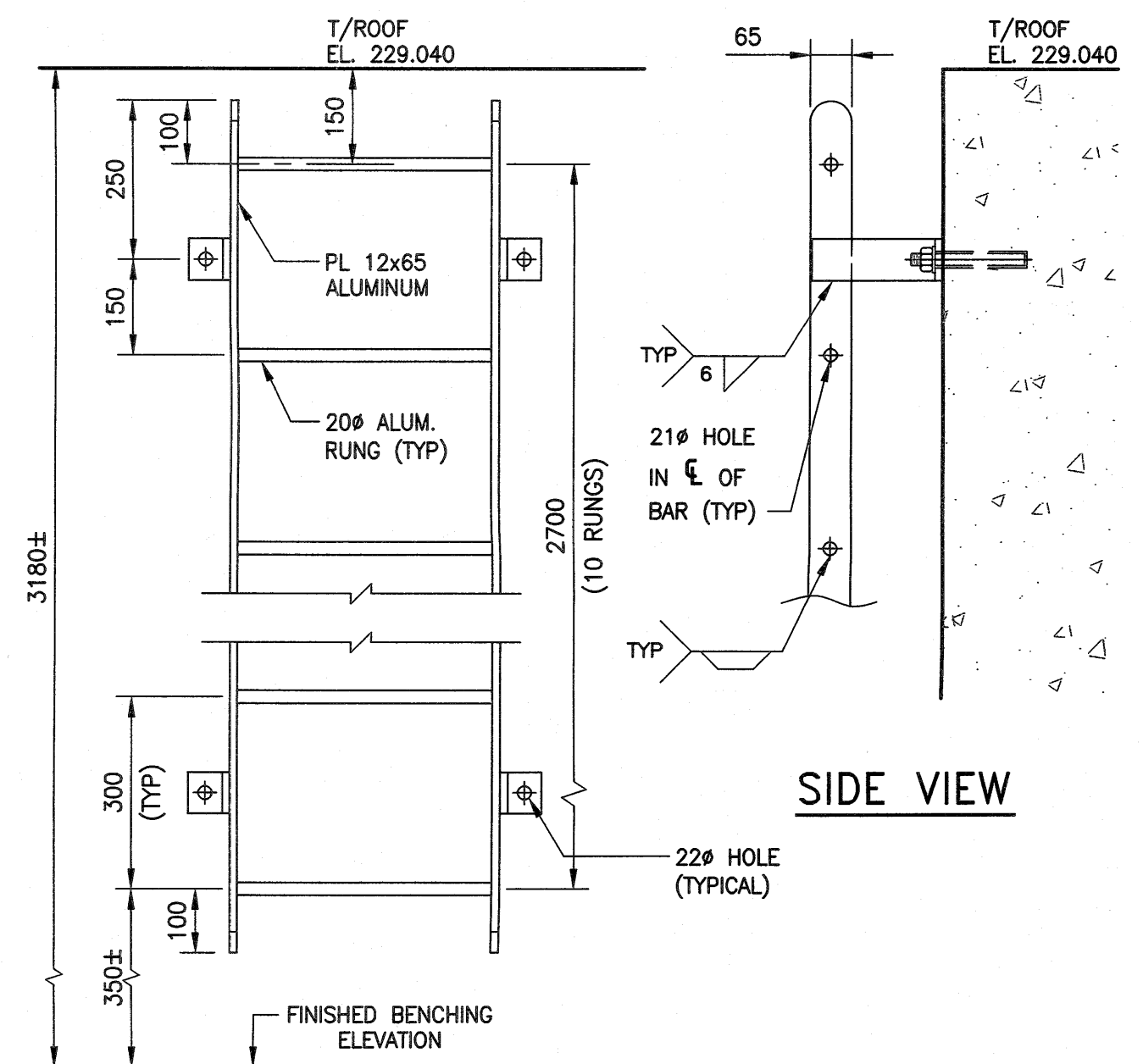
DETAIL - WALL TO ROOF CONSTRUCTION JOINT
SCALE: 1:20



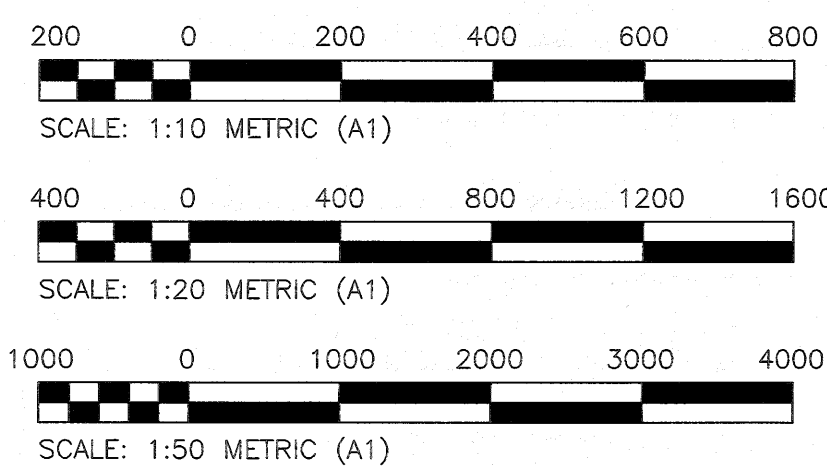
DETAIL - FLOOR TO WALL CONSTRUCTION JOINT
SCALE: 1:20



DETAIL - LADDER
SCALE: 1:10



ELEVATION



ENGINEERS GEOSCIENTISTS MANITOBA
Certificate of Authorization
KGS Group
No. 245

LOCATION APPROVED UNDERGROUND STRUCTURES
SUPV. U/G STRUCTURES COMMITTEE DATE
NOTE: LOCATION OF UNDERGROUND STRUCTURES AS SHOWN ARE BASED ON THE BEST INFORMATION AVAILABLE BUT NO GUARANTEE IS GIVEN THAT ALL EXISTING UTILITIES ARE SHOWN OR THAT THE GIVEN LOCATIONS ARE EXACT. CONFIRMATION OF EXISTENCE AND EXACT LOCATION OF ALL SERVICES MUST BE OBTAINED FROM THE INDIVIDUAL UTILITIES BEFORE PROCEEDING WITH CONSTRUCTION.

B.M. KGS BASE ELEV. -	DWGS BASED ON C.S.R.S. NAD 83 SYSTEM, UTM GRID
DESIGNED BY	KRD
CHECKED BY	CMS
DRAWN BY	FBV
APPROVED BY	RPO
SCALE:	AS NOTED
ISSUED FOR CONSTRUCTION	18/08/17
NO. REVISIONS	DATE BY DATE
	13/10/16

KGS GROUP CONSULTING ENGINEERS

ENGINEER'S SEAL
C.M. SIEPMAN
Member 20813
CONSULTANT DRAWING NO. 11-0107-18_S11-02

THE CITY OF WINNIPEG WATER AND WASTE DEPARTMENT
PROJECT TITLE: COCKBURN & CALROSSIE SEWER RELIEF WORKS
MANHOLE 11
MANHOLE/TRANSITION CHAMBER MH-01
SECTIONS & DETAILS (STRUCTURAL)
SHEET 22 OF 22
COMPUTER FILE NAME: 11-0107-18_S11-02
CITY DRAWING NUMBER: LD-8632

METRIC
DECIMALIZED NUMBERS INDICATE METRES
WHOLE NUMBERS INDICATE MILLIMETRES