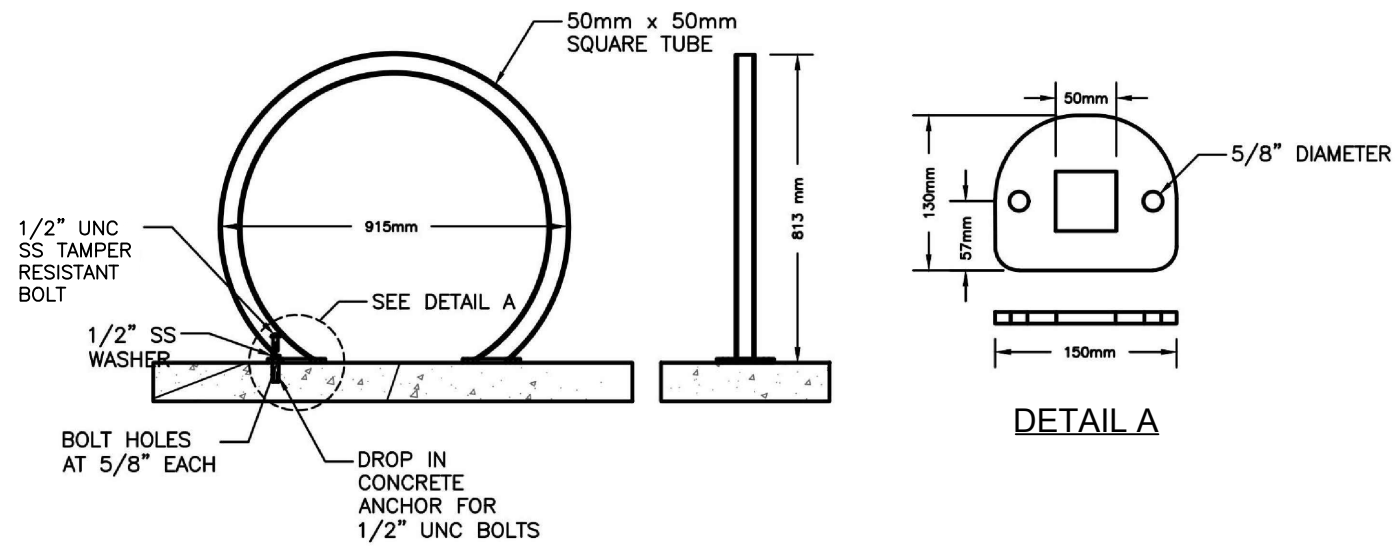


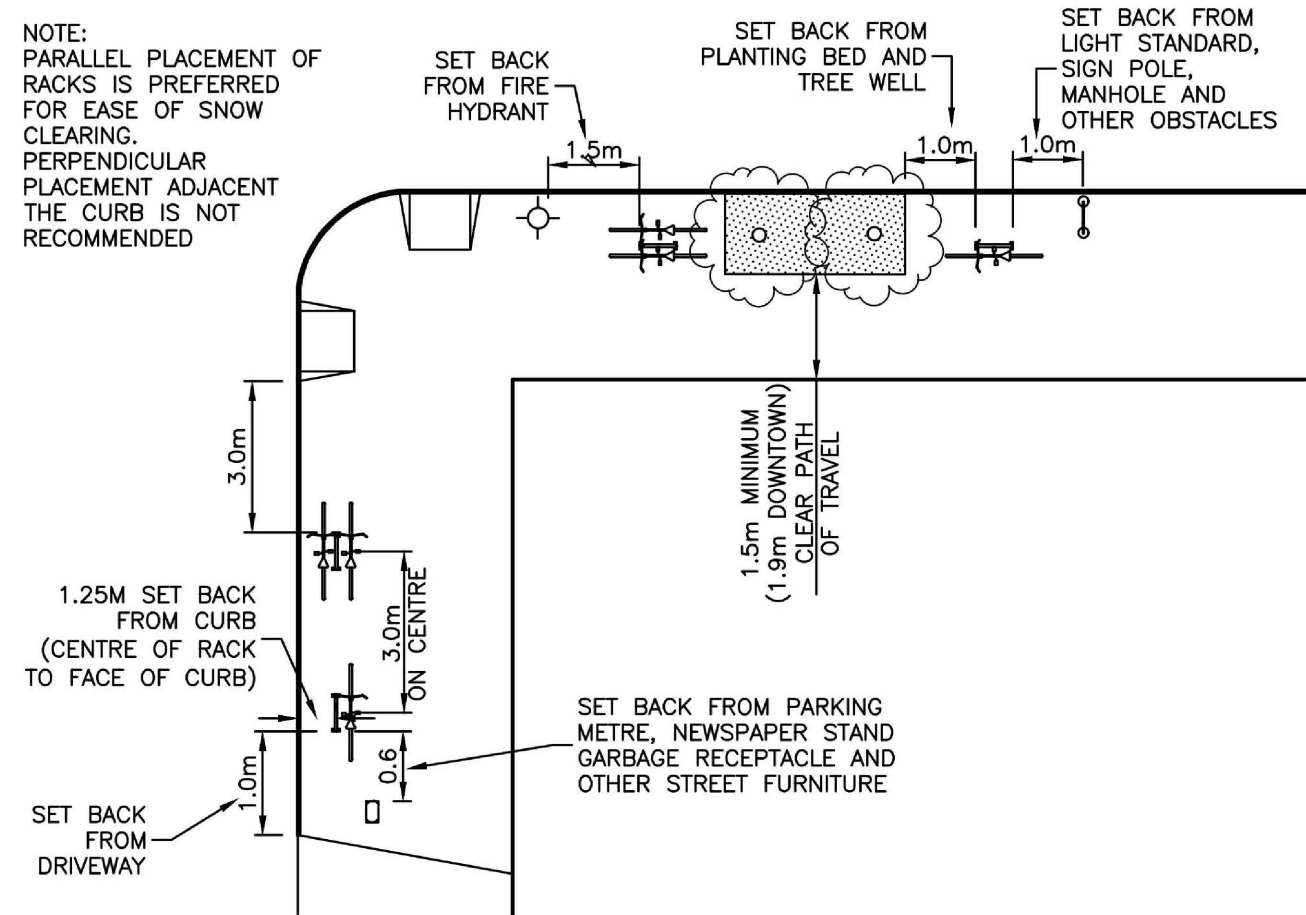
V:\Transportation Planning Drafting\01 - T\Dratfi - Regional Streets\McDermot-Bannatyne\REF-23 Bike Racks\_recover.dwg



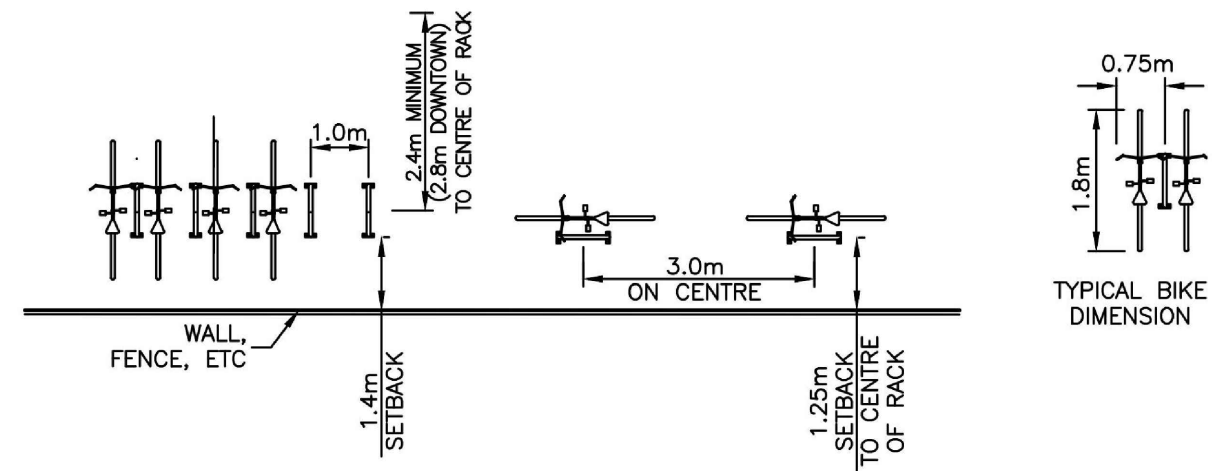
U-STYLE BICYCLE RACK

RECOMMENDED SETBACKS FOR BICYCLE PARKING AMENITIES

NOTE:  
PARALLEL PLACEMENT OF RACKS IS PREFERRED FOR EASE OF SNOW CLEARING. PERPENDICULAR PLACEMENT ADJACENT THE CURB IS NOT RECOMMENDED



RECOMMENDED BICYCLE PARKING ADJACENT TO WALLS



		THE CITY OF WINNIPEG PUBLIC WORKS DEPARTMENT TRANSPORTATION DIVISION	
DRAWN BY GP	SCALE HORIZONTAL: VERTICAL:	NTS	DATE 2018-07-20

**U-STYLE BICYCLE RACKS**  
 Design Specifications  
 and Installation Guidelines

SHEET	OF
1	3
CITY DRAWING NUMBER:	
REF-23	