



City of Winnipeg  
 Planning, Property and Development Department  
 Cemeteries Branch

DRAWING NUMBER: A3

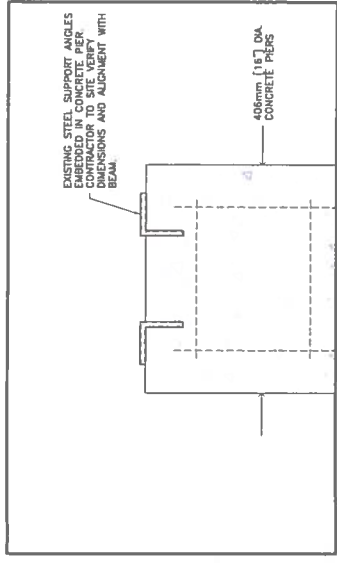
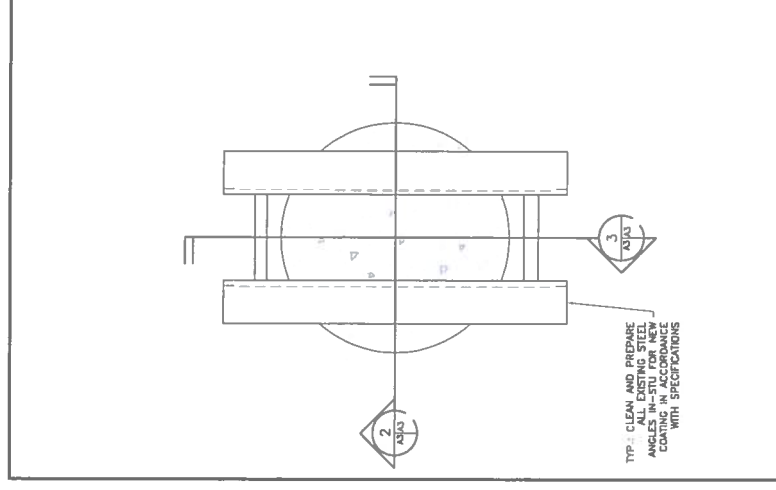
BEAM SUPPORT DETAILS AND EXISTING  
 CONCRETE PILES/PIER REPAIRS.

Project:  
 BROOKSIDE CEMETERY  
 MILITARY FIELD OF HONOUR  
 MARKER MOUNTING BEAM REPLACEMENT

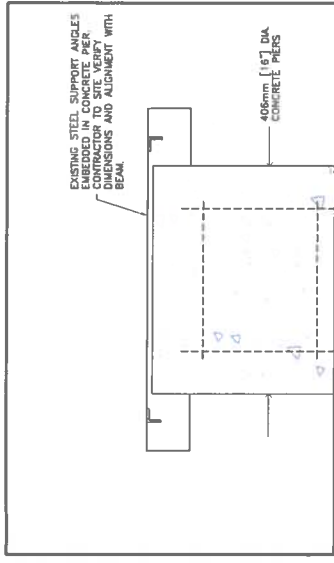
BID NUMBER: 649-2018

**General Notes:**

1. Details shown on the drawing may vary from existing site conditions, which are to be verified by Contractor in Strict Accordance with the specifications. Existing steel support brackets may not be same length as width of beams or same installation design as the drawing shows.
2. Contractor is responsible for all site measurements and scheduling of work sequences in accordance with specifications. This work will have significant impact on the replacement beam fabrication and installation schedule, and must be closely established and implemented.
3. Contractor to coordinate inspection of existing concrete piles/piers and steel supports with the Contract Administrator.
4. Contractor to carry out concrete pile/pier repairs in accordance with the specifications and this drawing. The requirement for additional concrete repairs will be determined by the Contract Administrator and replacement steel supports will be charged as per the Contractors submitted applicable rate.
5. Contractor to remove any existing soil below the beams, to ensure that there is a 150mm (6 inch) gap between the underside of the beam and the top of the soil, for the full length of the beam.

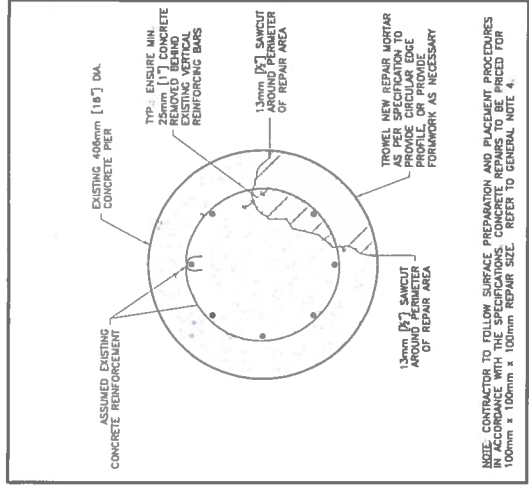


2 SECTION - STEEL SUPPORT  
 SCALE 1:5



4 PLAN - STEEL ANGLE SEAT  
 SCALE 1:5

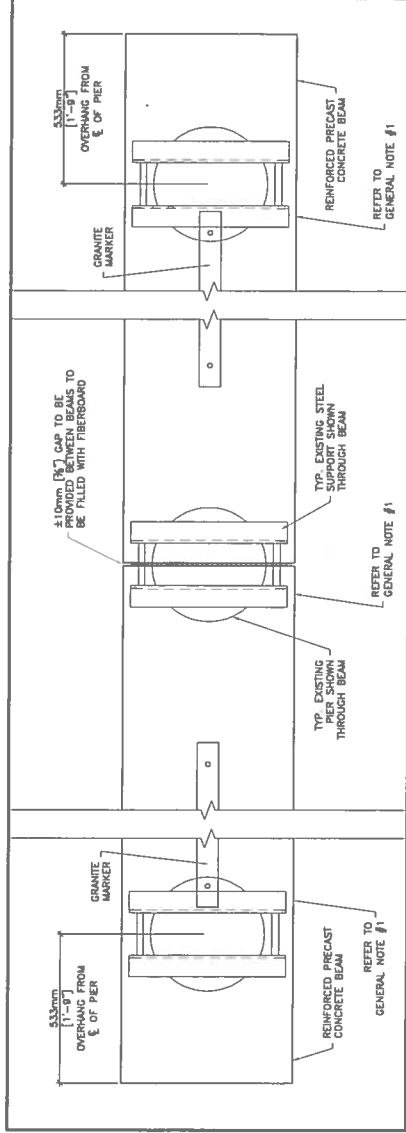
3 SECTION - STEEL SUPPORT  
 SCALE 1:5



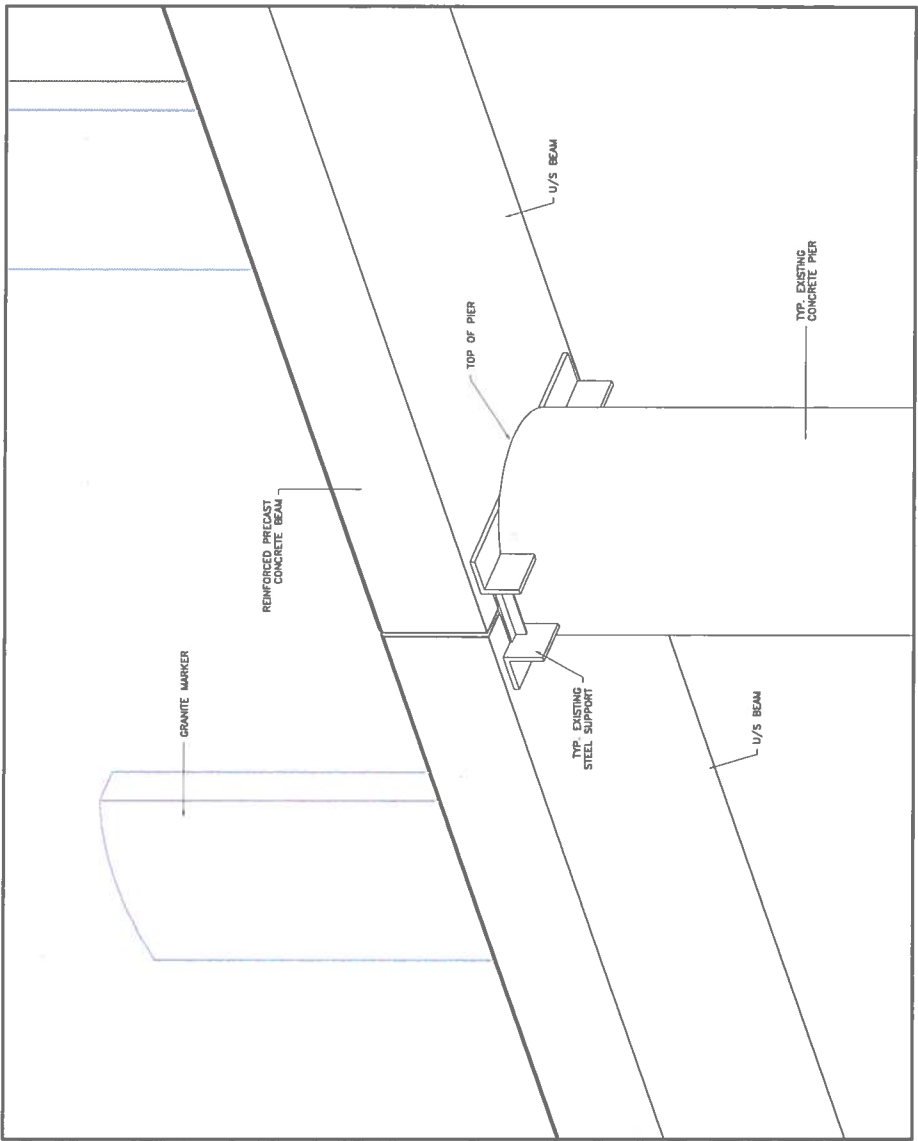
1 PLAN - EXISTING CONCRETE PIER REPAIR  
 SCALE 1:5



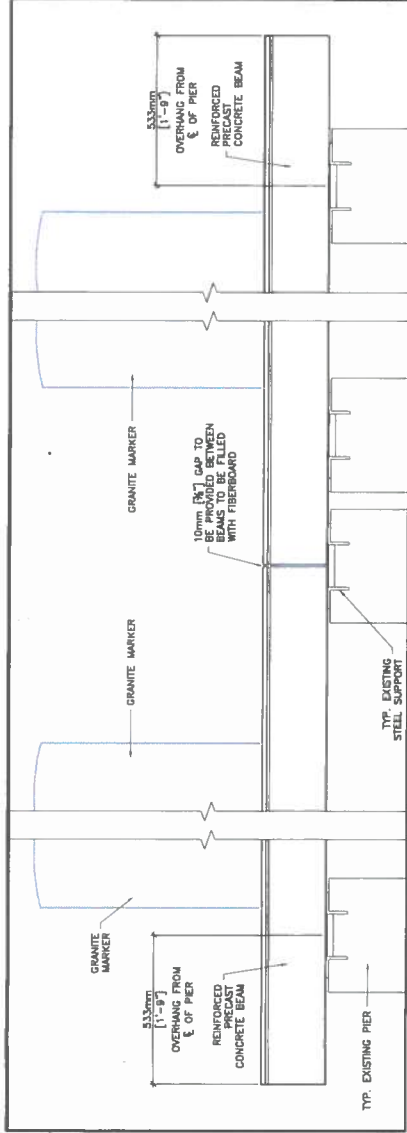
PHOTO OF EXISTING STEEL SUPPORT & CONCRETE PIER



5 PLAN VIEW - EXISTING LOCATIONS OF PIERS  
 SCALE 1:10



7 ISOMETRIC VIEW - U/S OF CONCRETE BEAM  
 SCALE 1:5



6 TYPICAL ELEVATION W/ EXISTING PIERS & STEEL SUPPORTS  
 SCALE 1:10

