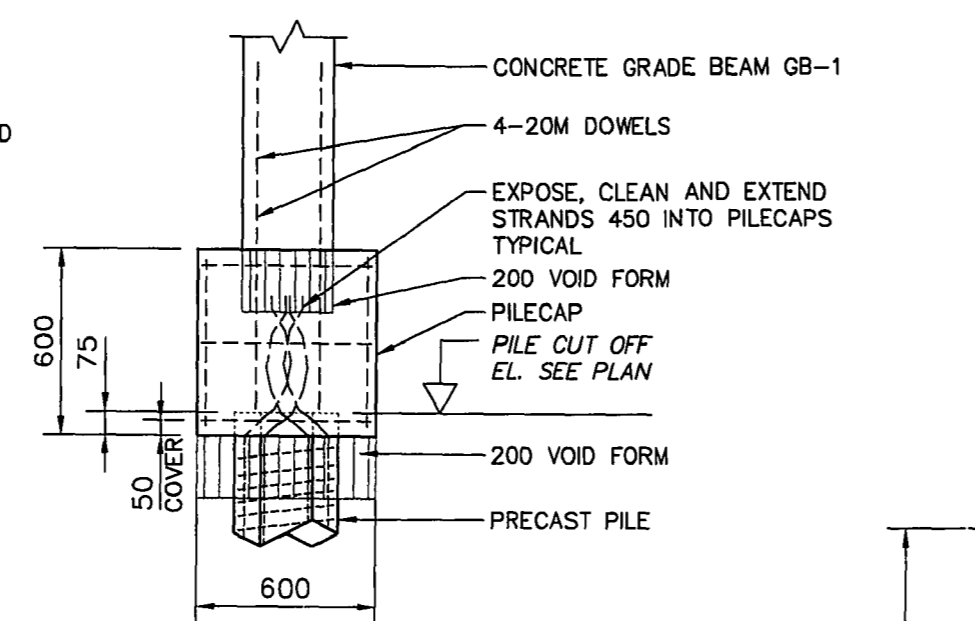
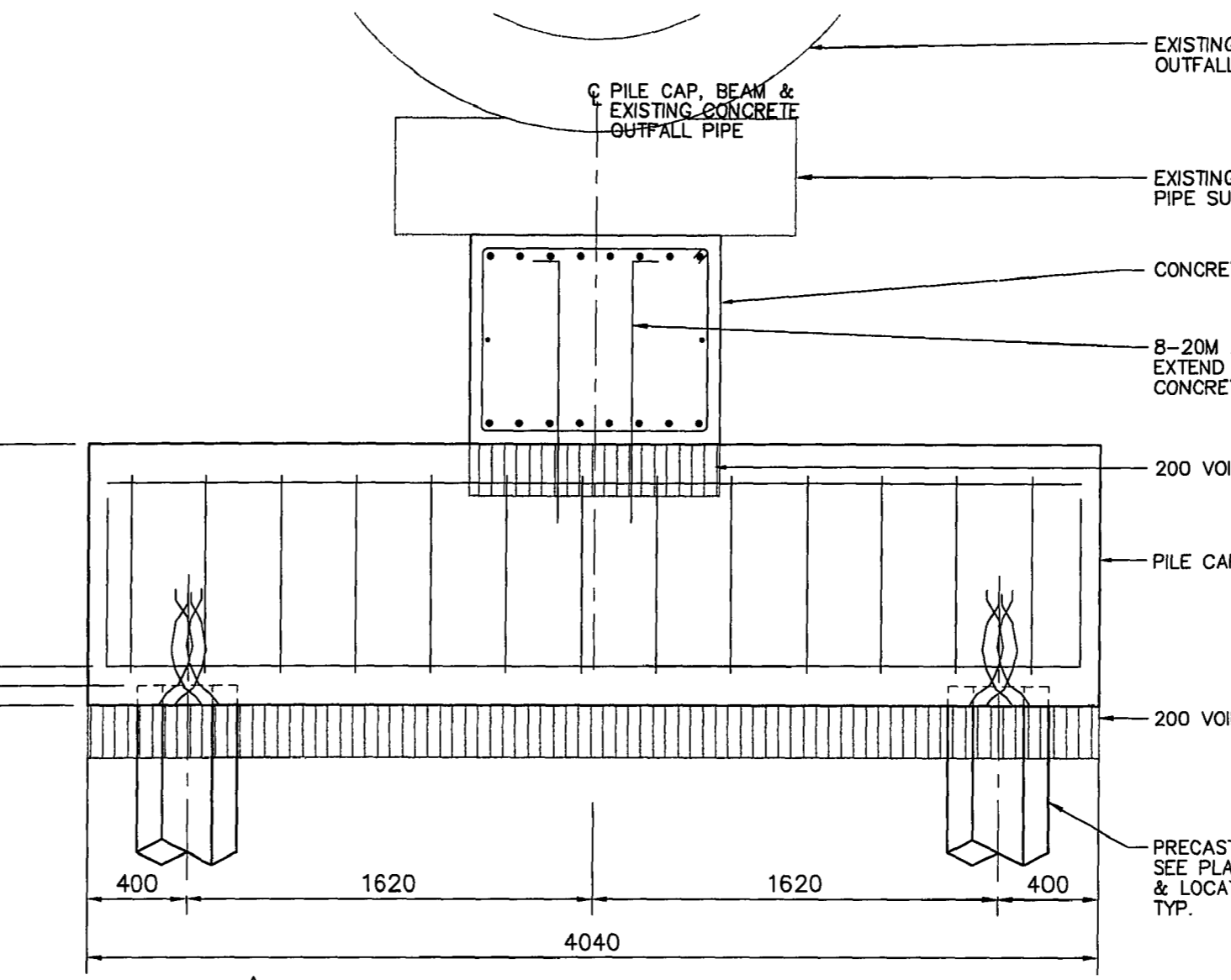


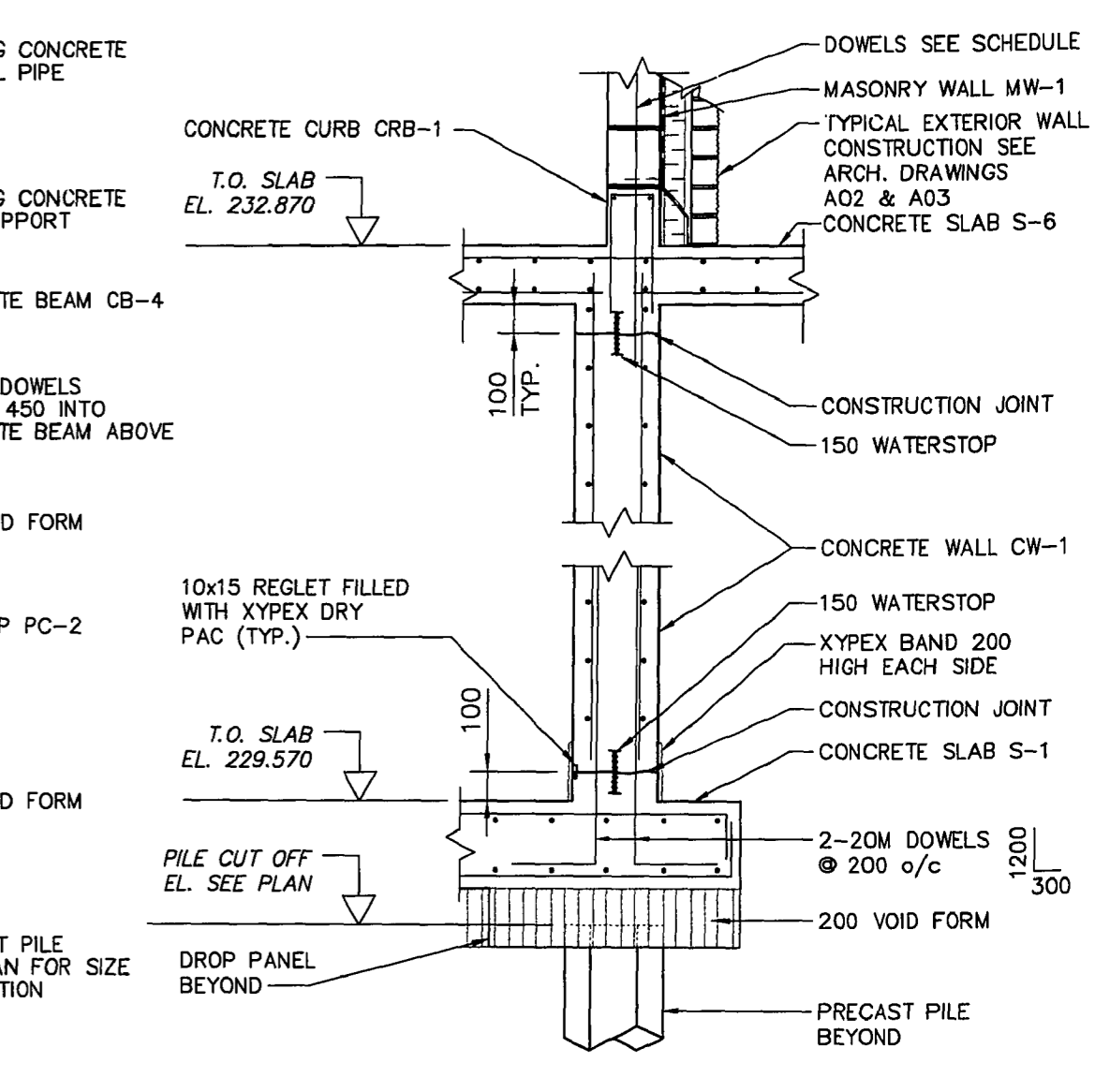
1 TYPICAL DROP PANEL SECTION
S01 S06 SCALE 1:20



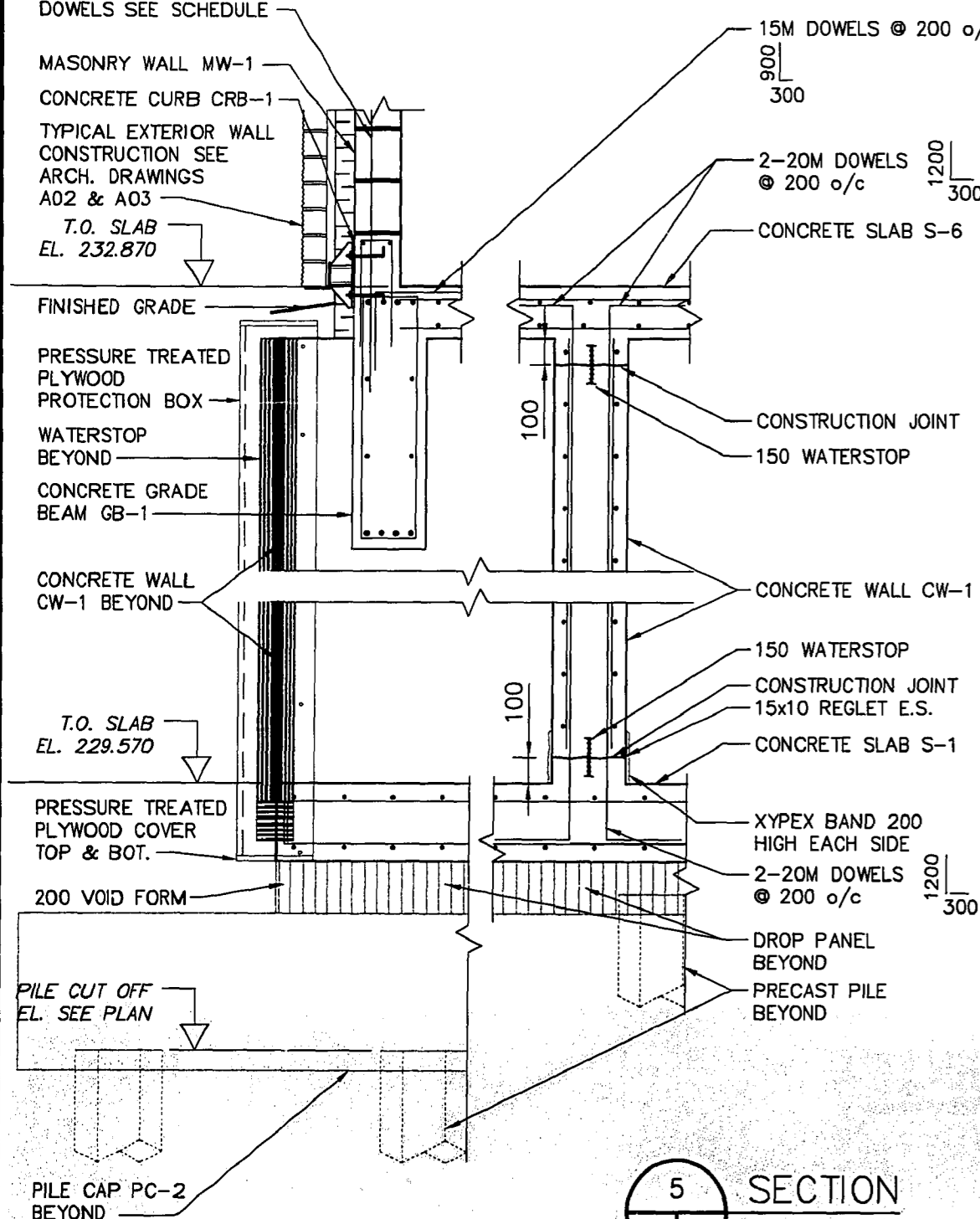
2 TYPICAL PILE CAP PC-1 SECTION
S01 S06 SCALE 1:20



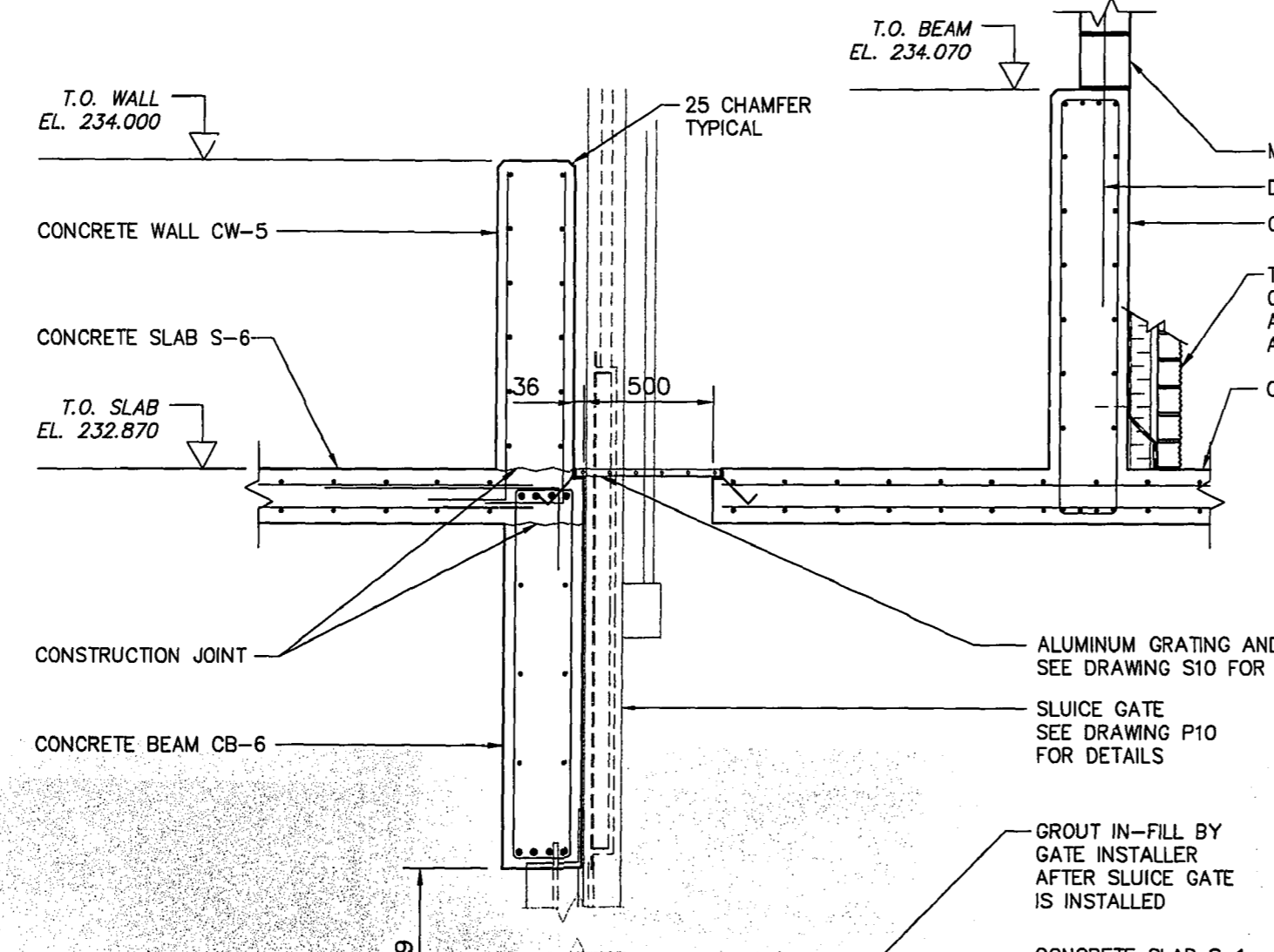
3 SECTION
S02 S06 SCALE 1:20



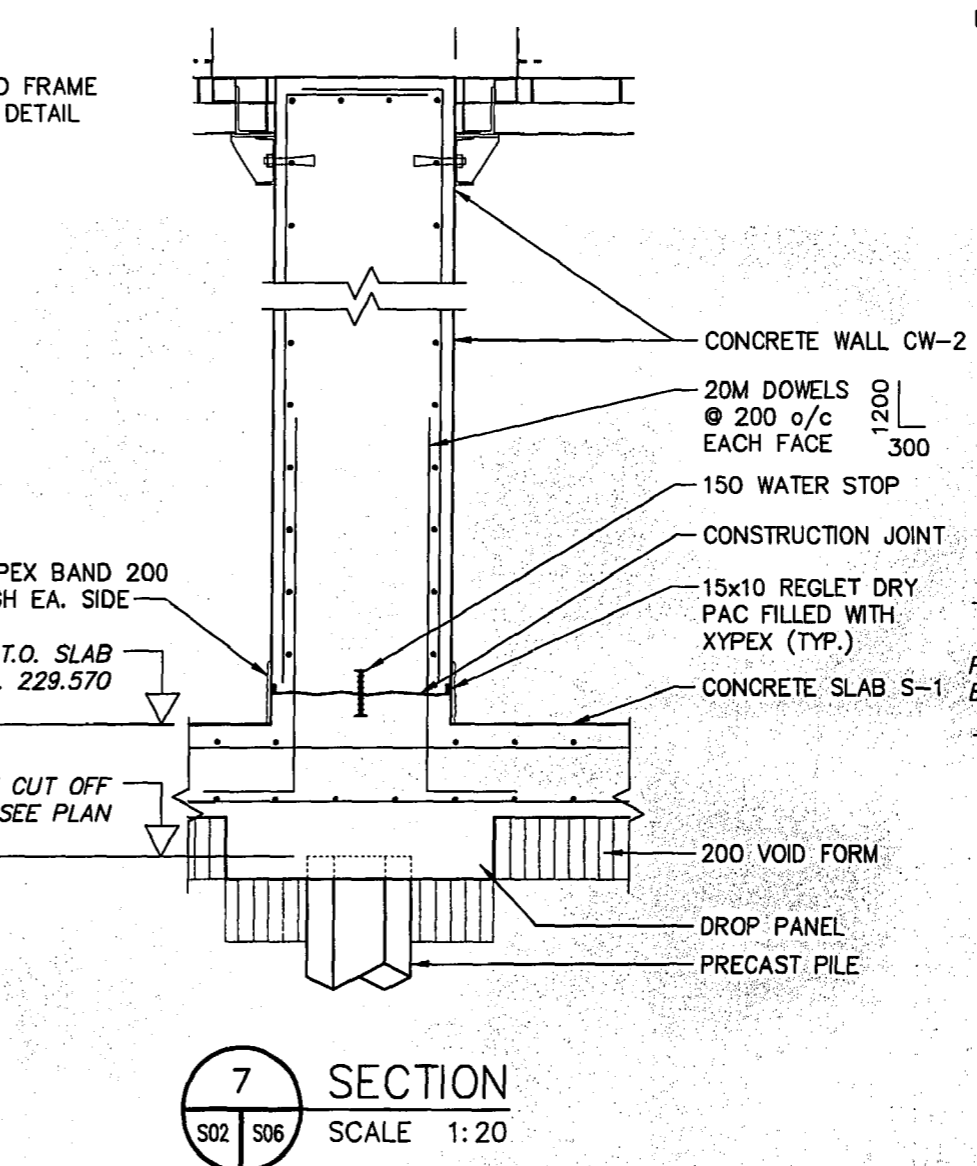
4 SECTION
S02 S06 SCALE 1:20



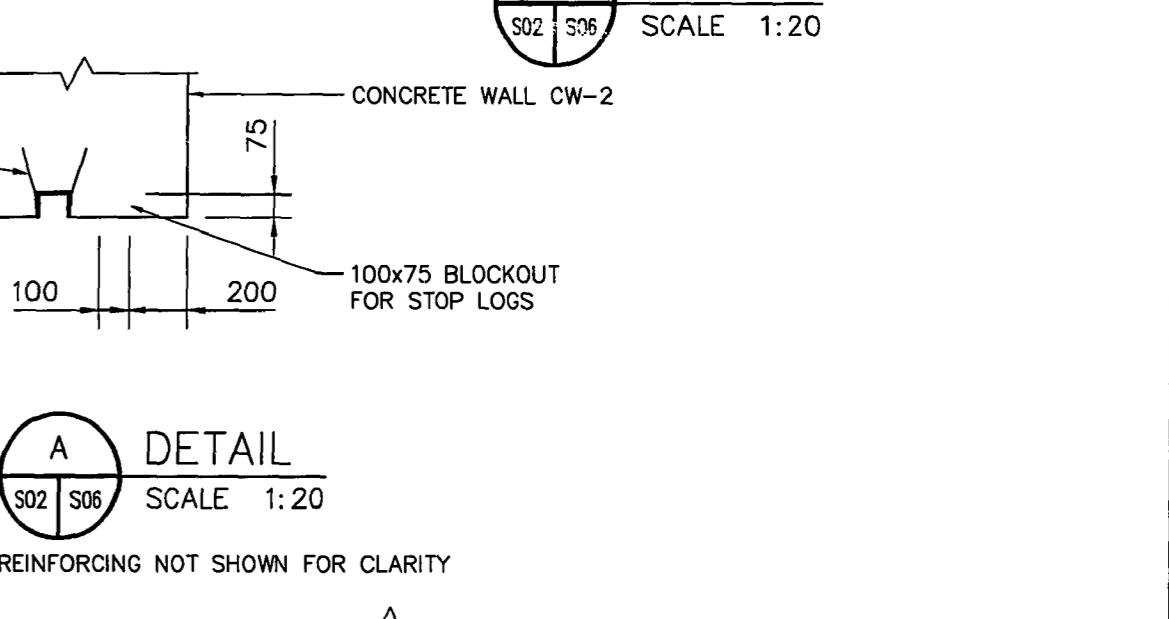
5 SECTION
S02 S06 SCALE 1:20



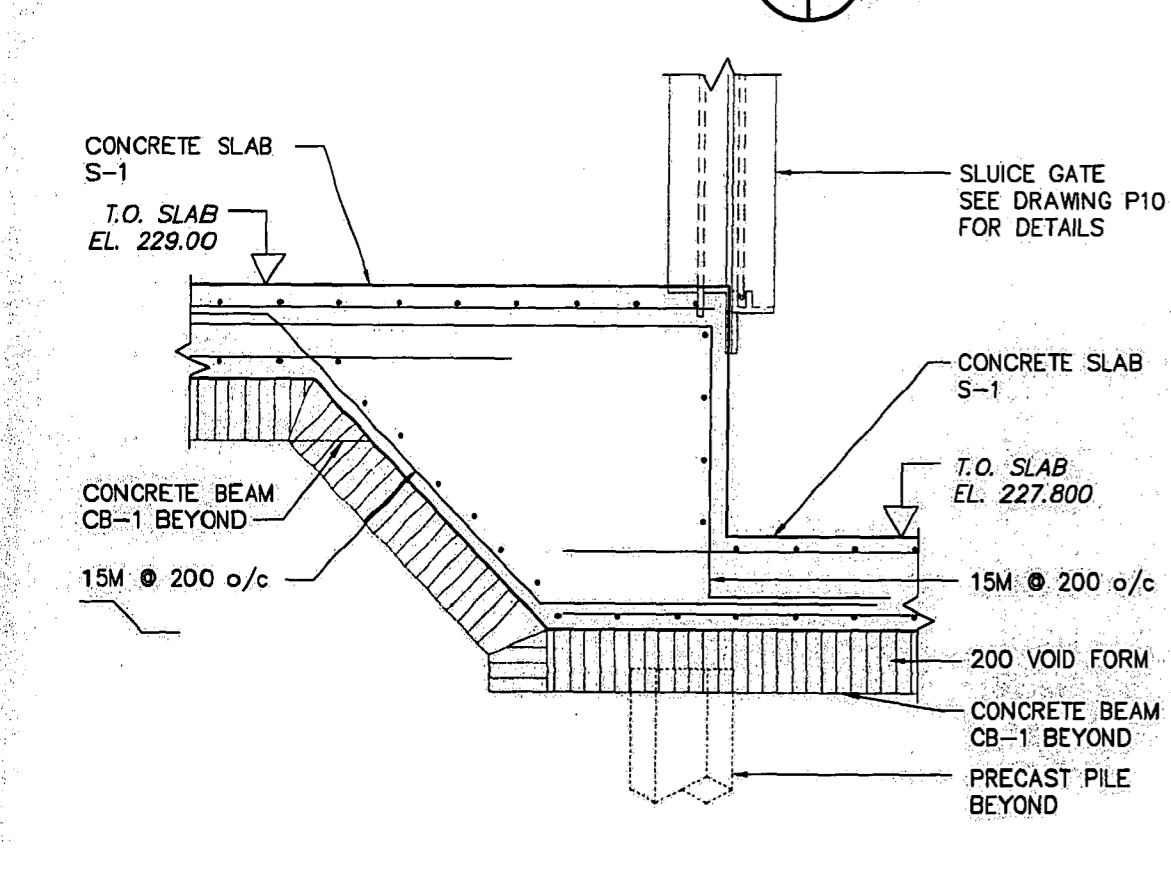
6 SECTION
S02 S06 SCALE 1:20



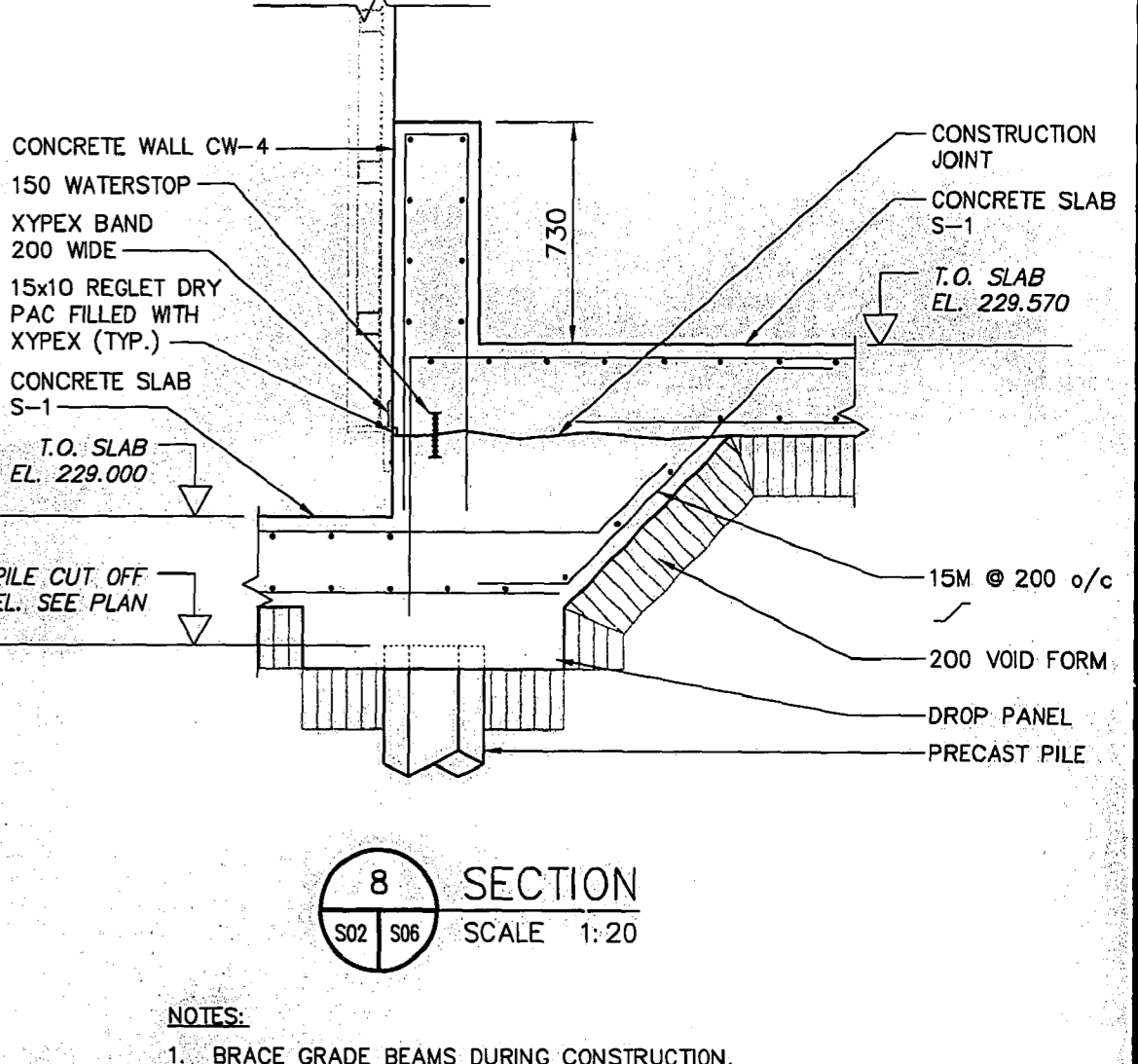
7 SECTION
S02 S06 SCALE 1:20



8 SECTION
S02 S06 SCALE 1:20



9 SECTION
S02 S06 SCALE 1:20



A DETAIL
S02 S06 SCALE 1:20

* COORDINATE DIMENSIONS WITH SLUICE GATE INSTALLER/SUPPLIER.

NOTES:
1. BRACE GRADE BEAMS DURING CONSTRUCTION.

THESE RECORD DRAWINGS HAVE BEEN PREPARED, IN PART, ON THE BASIS OF INFORMATION COMPILED AND FURNISHED BY OTHERS. AS A RESULT, THE ENGINEER WILL NOT BE RESPONSIBLE FOR ANY ERRORS OR OMISSIONS WHICH HAVE BEEN INCORPORATED INTO THIS DOCUMENT.

REID CROWTHER & PARTNERS LIMITED
WINNIPEG
RECORD DRAWING
DATE: 99/09/24

LOCATION APPROVED UNDERGROUND STRUCTURES		B.M. ELEV.
SUPV. U/G STRUCTURES COMMITTEE	DATE	
NOTE:	LOCATION OF UNDERGROUND STRUCTURES AS SHOWN ARE BASED ON THE BEST INFORMATION AVAILABLE. BUT NO GUARANTEE IS GIVEN THAT ALL EXISTING UTILITIES ARE SHOWN OR THAT THE GIVEN LOCATIONS ARE EXACT. CONFIRMATION OF EXISTENCE AND EXACT LOCATION OF ALL SERVICES MUST BE OBTAINED FROM THE INDIVIDUAL UTILITIES BEFORE PROCEEDING WITH CONSTRUCTION.	
1	RECORD DRAWING	99/09/24 R.D.
0	ISSUED FOR TENDER	98/07/27 C.T.
NO. REVISIONS	DATE	BY

REID Crowther Consulting Engineering Worldwide		ENGINEER'S SEAL
DESIGNED BY: MEB/NHK	CHECKED BY: DGN/DLH	ORIGINAL SIGNED BY: D.G. NICHOLLS 7/22/1998
DRAWN BY: C.T.	APPROVED BY: AL	CONSULTANT DRAWING NO. 61786.01 S06
HOR. SCALE: AS NOTED	RELEASED FOR CONSTRUCTION BY:	
VERTICAL:		
DATE: 98/05/07	DATE:	

THE CITY OF WINNIPEG
WATER AND WASTE DEPARTMENT

SOUTH END WATER POLLUTION CONTROL CENTRE
EFFLUENT DISINFECTION FACILITY

CITY DRAWING NUMBER SEP-2419
SHEET OF

CONCRETE SECTIONS AND DETAILS
SHEET 1 OF 3

REV-1