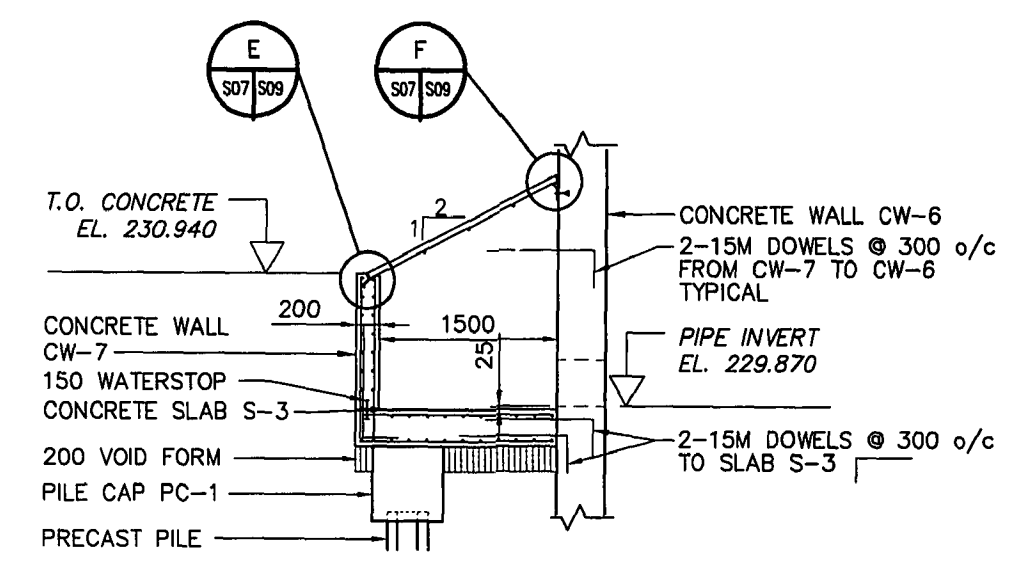
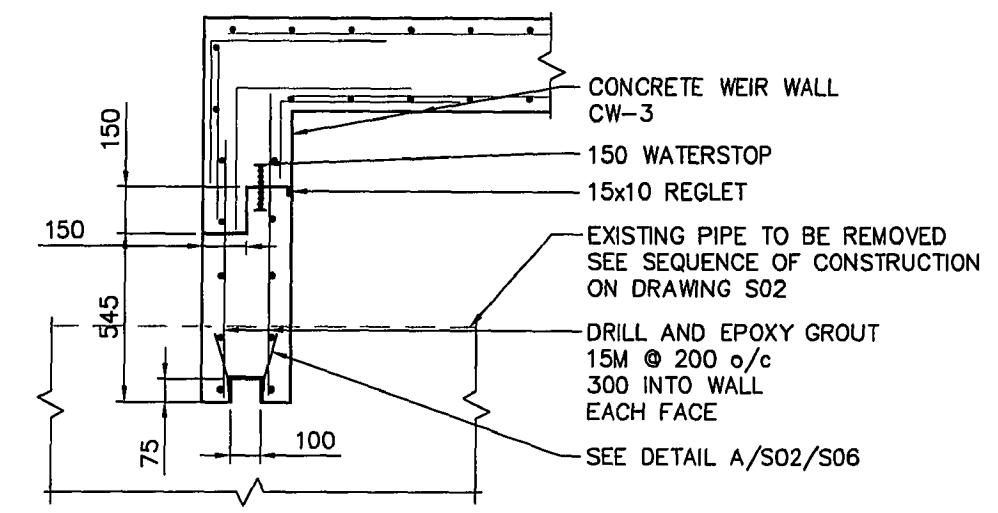


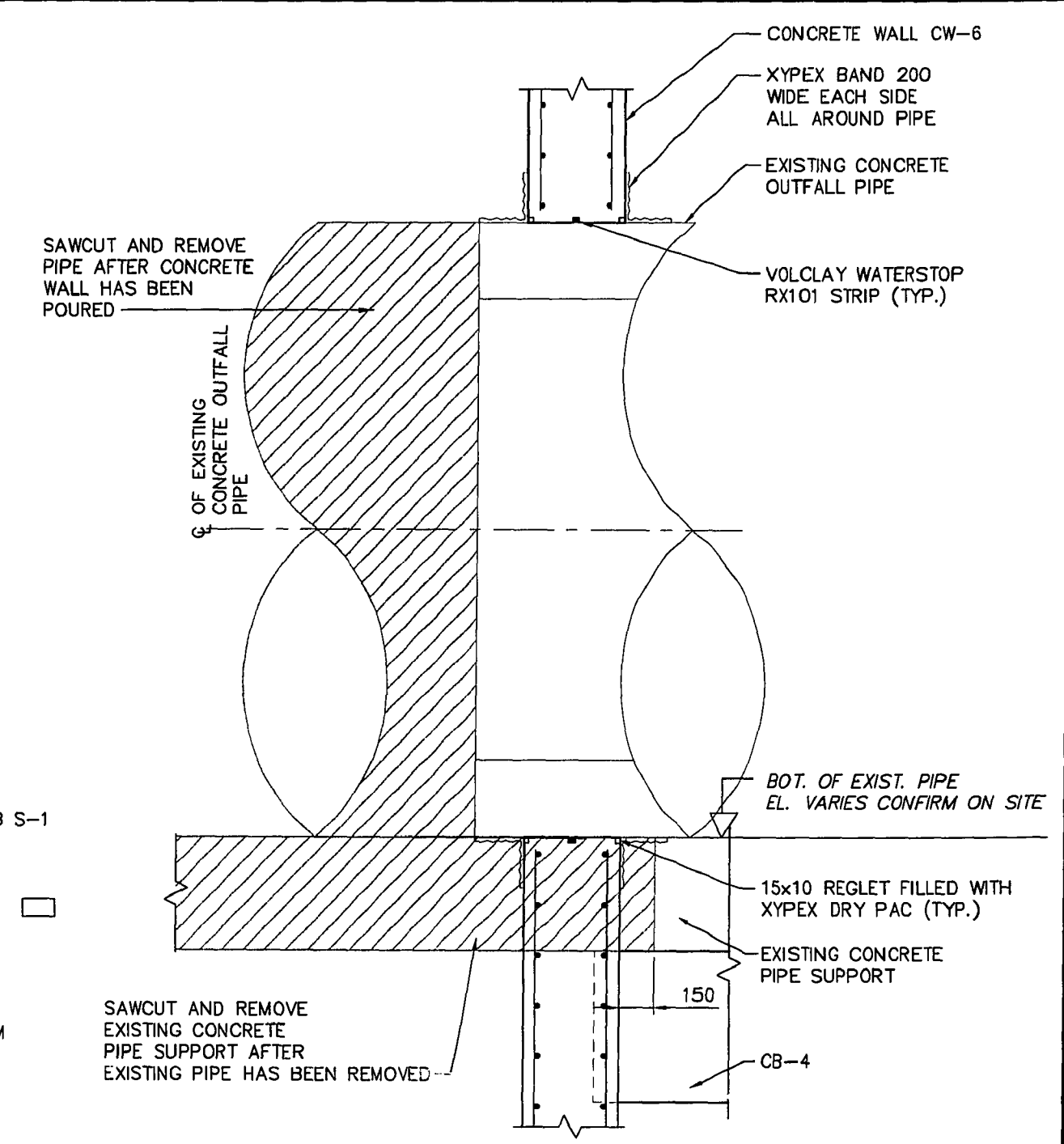
B PLAN DETAIL
SCALE 1:20



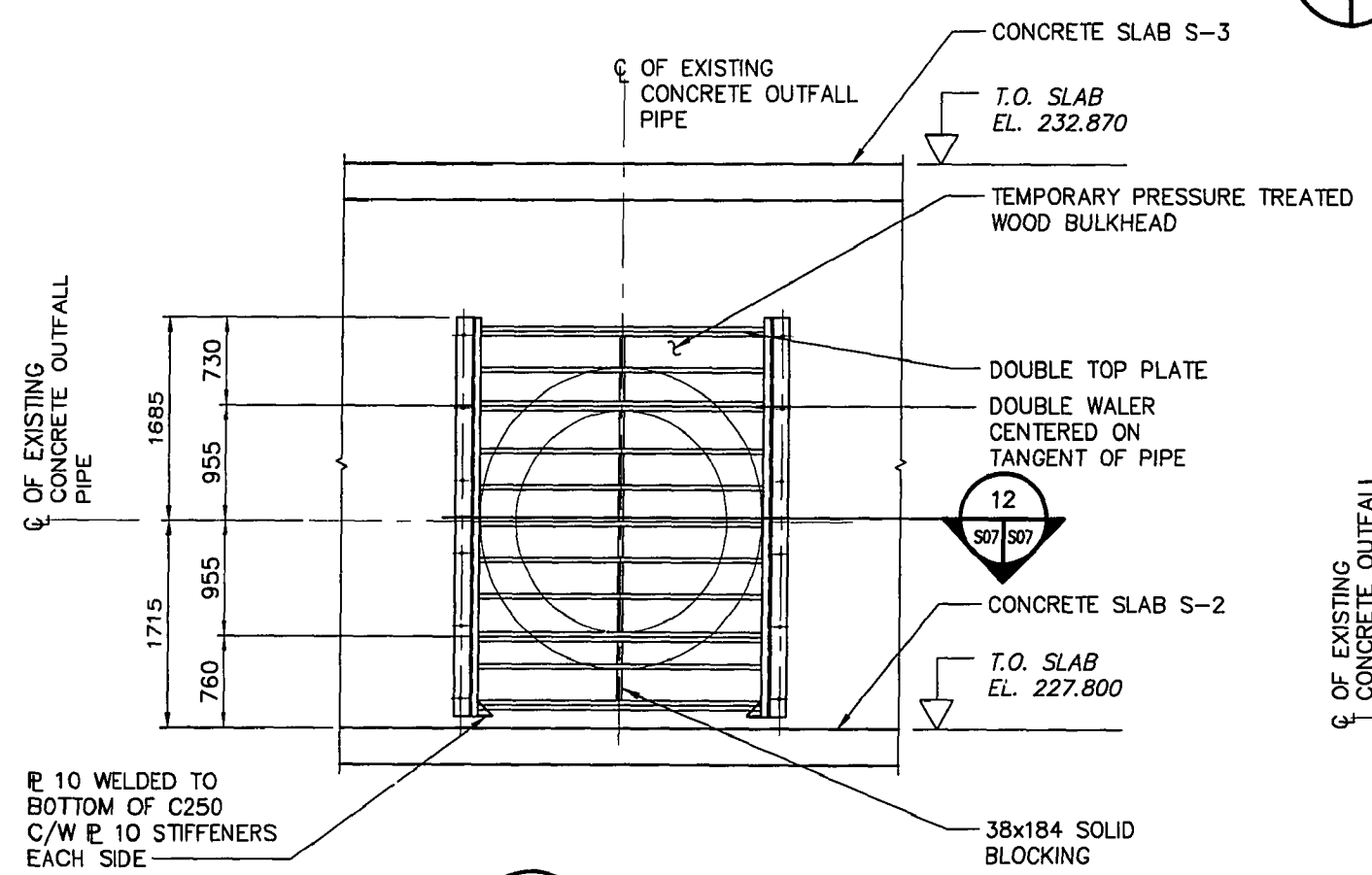
10 SECTION
SCALE 1:50



C PLAN DETAIL
SCALE 1:20

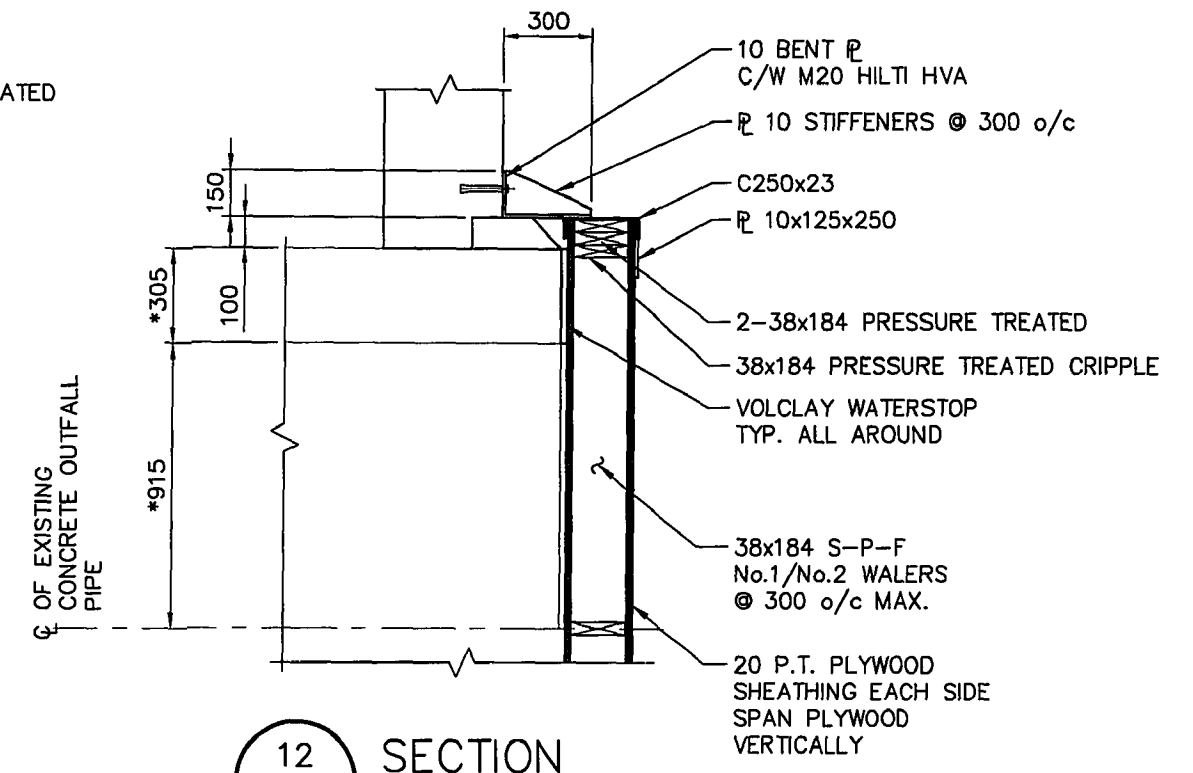


14 SECTION
SCALE 1:20

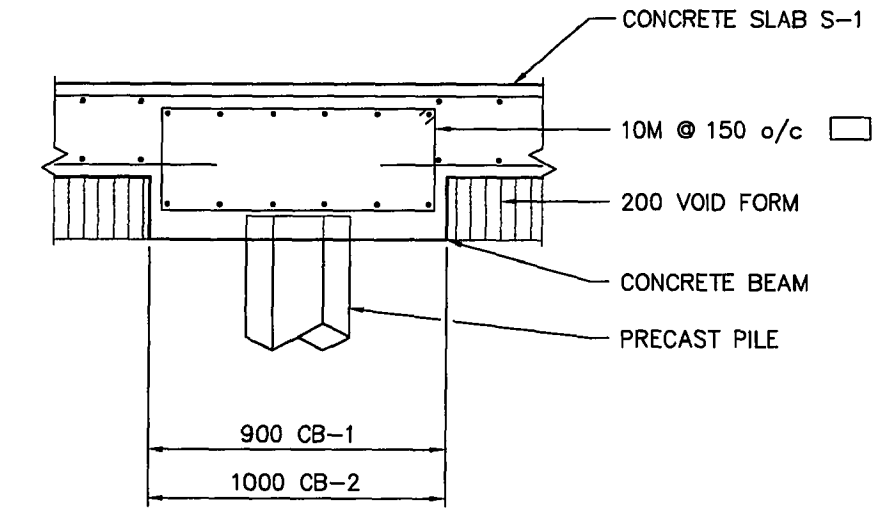


11 ELEVATION
SCALE 1:50

NOTE
REMOVE STEEL BRACKET AND PRESSURE TREATED WOOD BULKHEAD AFTER COMPLETING THE CONCRETE WEIR WALL IN OUTFALL CHAMBER.

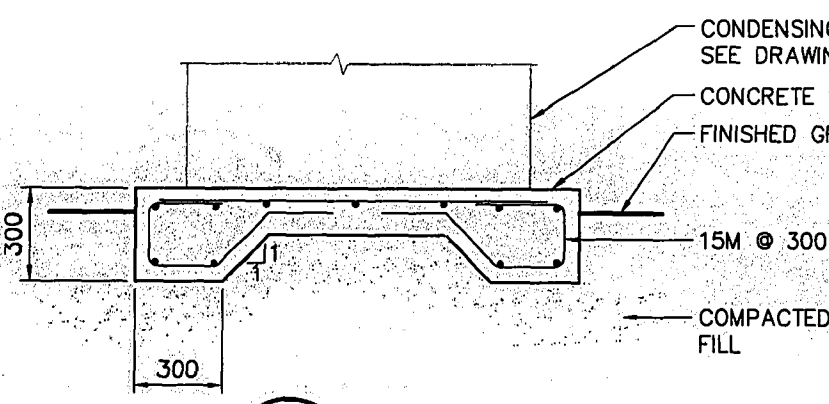


12 SECTION
SCALE 1:20

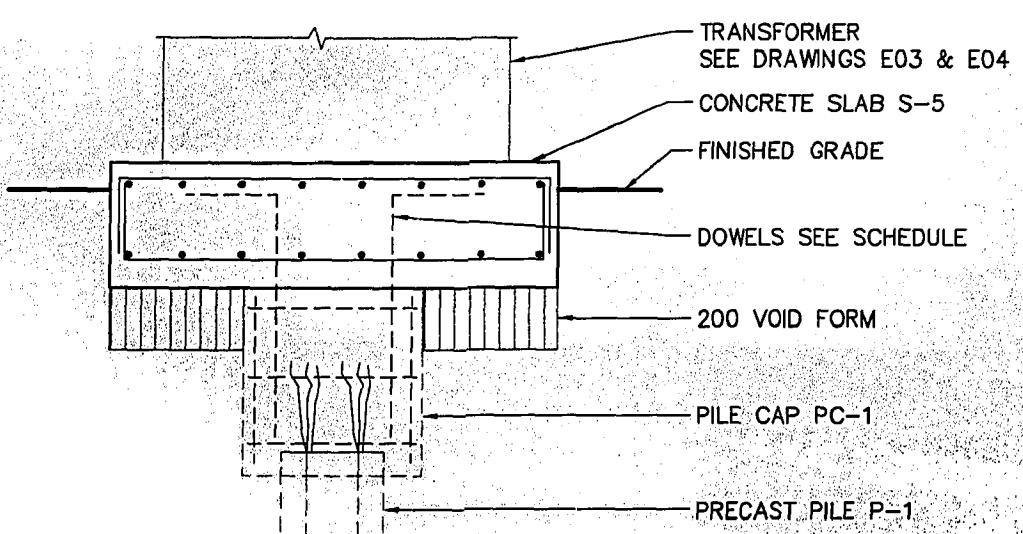


13 SECTION
SCALE 1:20

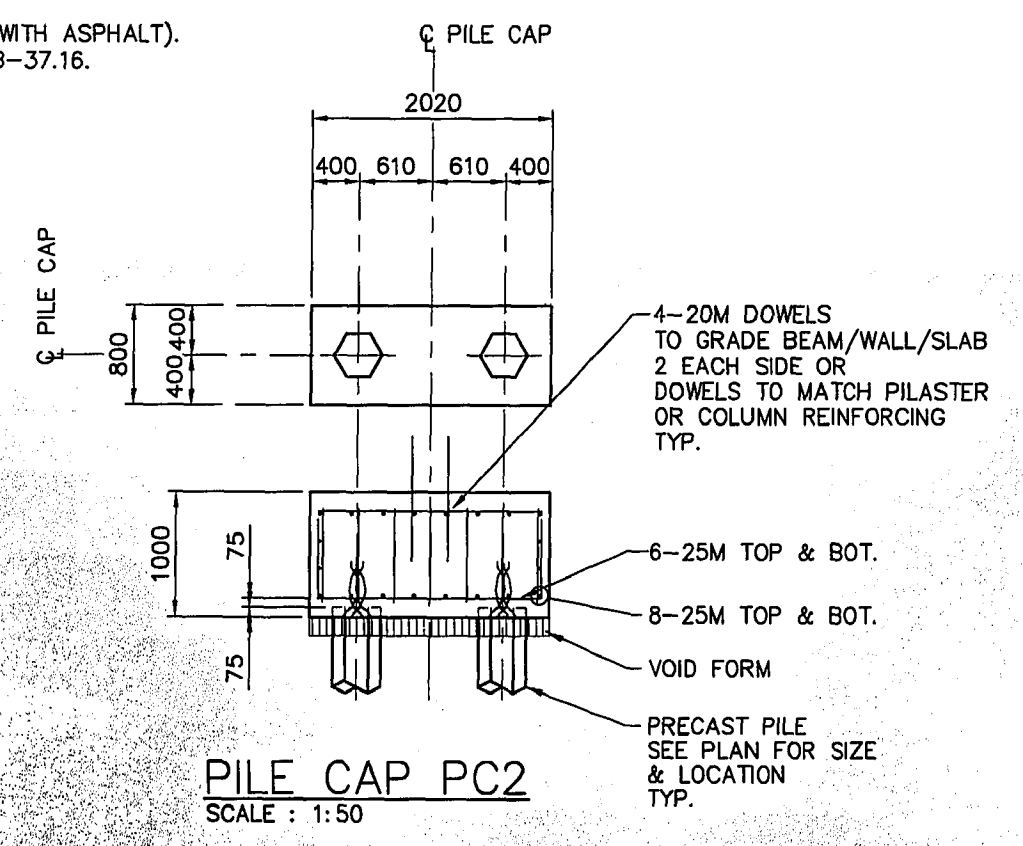
- NOTES:**
1. BLOCK SOLID ALL JOINTS.
 2. CAULK ALL WALERS (ENSURE CAULKING IS COMPATIBLE WITH ASPHALT).
 3. COAT ALL EXPOSED FACES WITH ASPHALT TO CAN/CGSB-37.16.



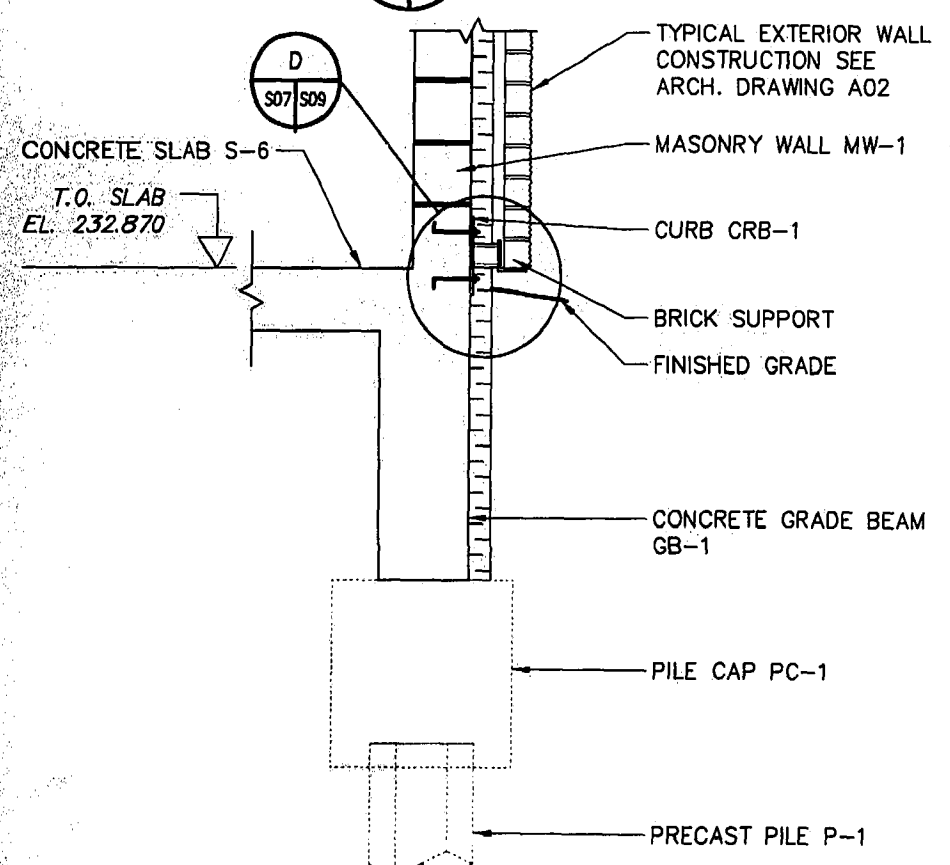
15 SECTION
SCALE 1:20



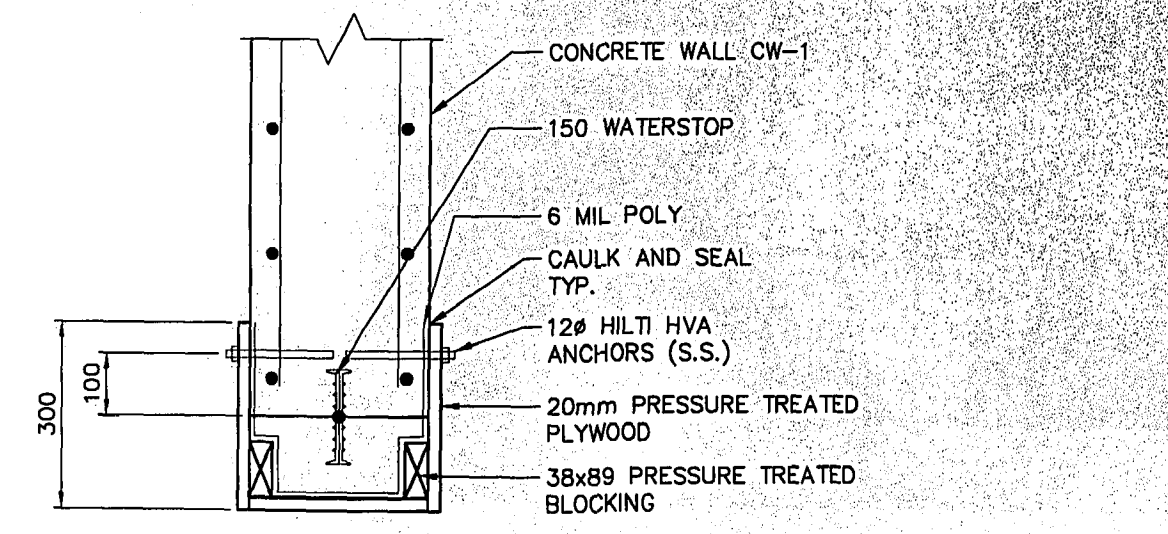
16 SECTION
SCALE 1:20



PILE CAP PC2
SCALE 1:50



17 SECTION
SCALE 1:20



25 PLAN DETAIL
SCALE 1:10

- NOTES:**
1. DETAIL AT BASE SLAB SIMILAR.
 2. MAKE WATERSTOP PROTECTION BOARD CONTINUOUS FROM WALL TO SLAB.
 3. PROVIDE 20mm PRESSURE TREATED PLYWOOD CAPS AT EACH END.
 4. CAULK AND SEAL ALL JOINTS IN PLYWOOD.

THESE RECORD DRAWINGS HAVE BEEN PREPARED, IN PART, ON THE BASIS OF INFORMATION COMPILED AND FURNISHED BY OTHERS. AS A RESULT, THE ENGINEER WILL NOT BE RESPONSIBLE FOR ANY ERRORS OR OMISSIONS WHICH HAVE BEEN INCORPORATED INTO THIS DOCUMENT.

REID CROWTHER & PARTNERS LIMITED
WINNIPEG
RECORD DRAWING
DATE: 98/09/24

B.M. ELEV.					
DESIGNED BY	MEB/NHK	CHECKED BY	DGN/DLH	ENGINEER'S SEAL	
DRAWN BY	C.T.	APPROVED BY	AL	ORIGINAL SIGNED BY D.G. NICHOLLS 7/22/1998	
1 RECORD DRAWING	98/09/24	R.D.	HOR. SCALE: AS NOTED	RELEASED FOR CONSTRUCTION BY:	
0 ISSUED FOR TENDER	98/07/27	C.T.	VERTICAL:		
NO. REVISIONS	DATE	BY	DATE	98/05/07	DATE

THE CITY OF WINNIPEG
WATER AND WASTE DEPARTMENT

SOUTH END WATER POLLUTION CONTROL CENTRE
EFFLUENT DISINFECTION FACILITY

CITY DRAWING NUMBER SEP-2420
SHEET OF

CONCRETE SECTIONS AND DETAILS
SHEET 2 OF 3

REV-1

CONSULTANT DRAWING NO. 61786.01 S07