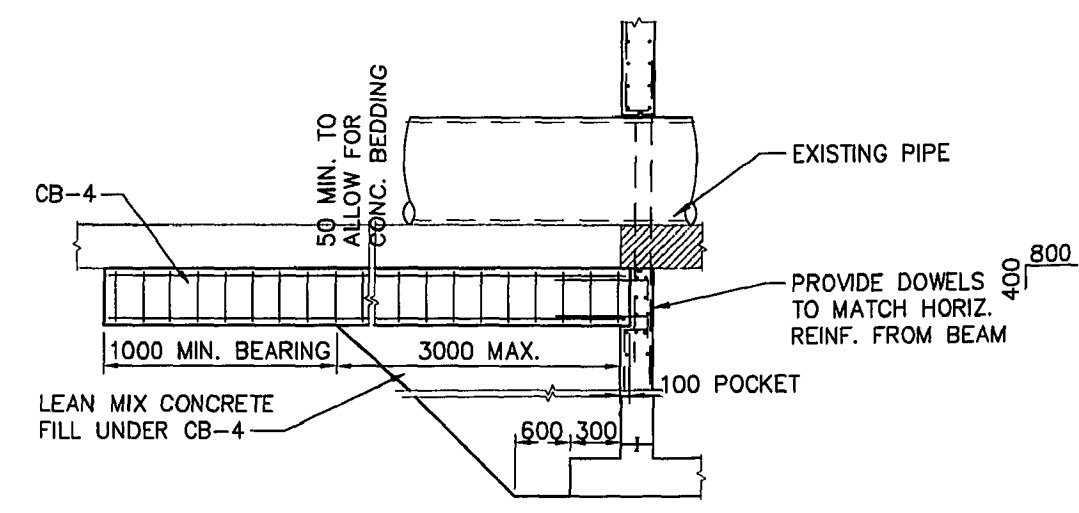
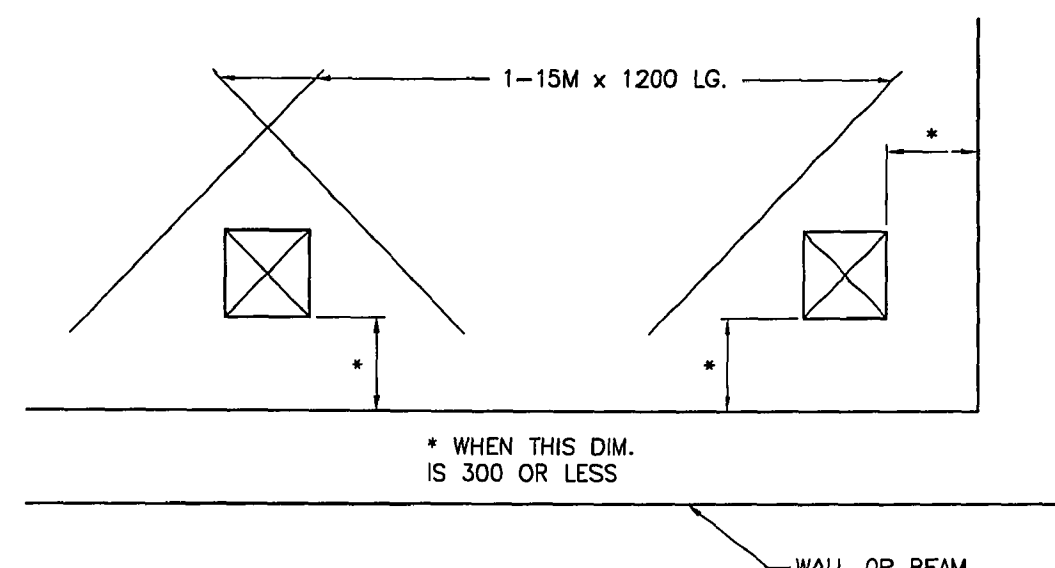


ELEVATION SHOWING EXTRA REINF. AROUND WALL OPENINGS
N.T.S.

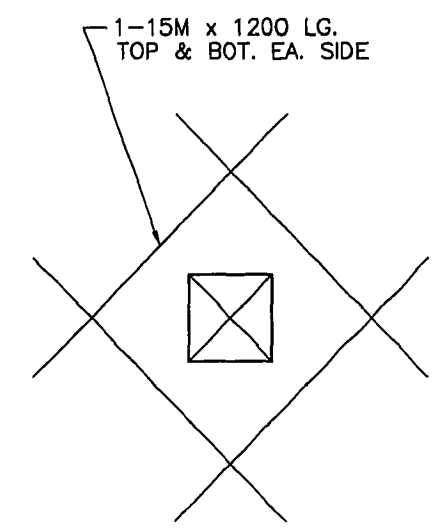


CONCRETE SUPPORT BEAM FOR EXISTING 1800 I.D. CONC. PIPE
N.T.S.

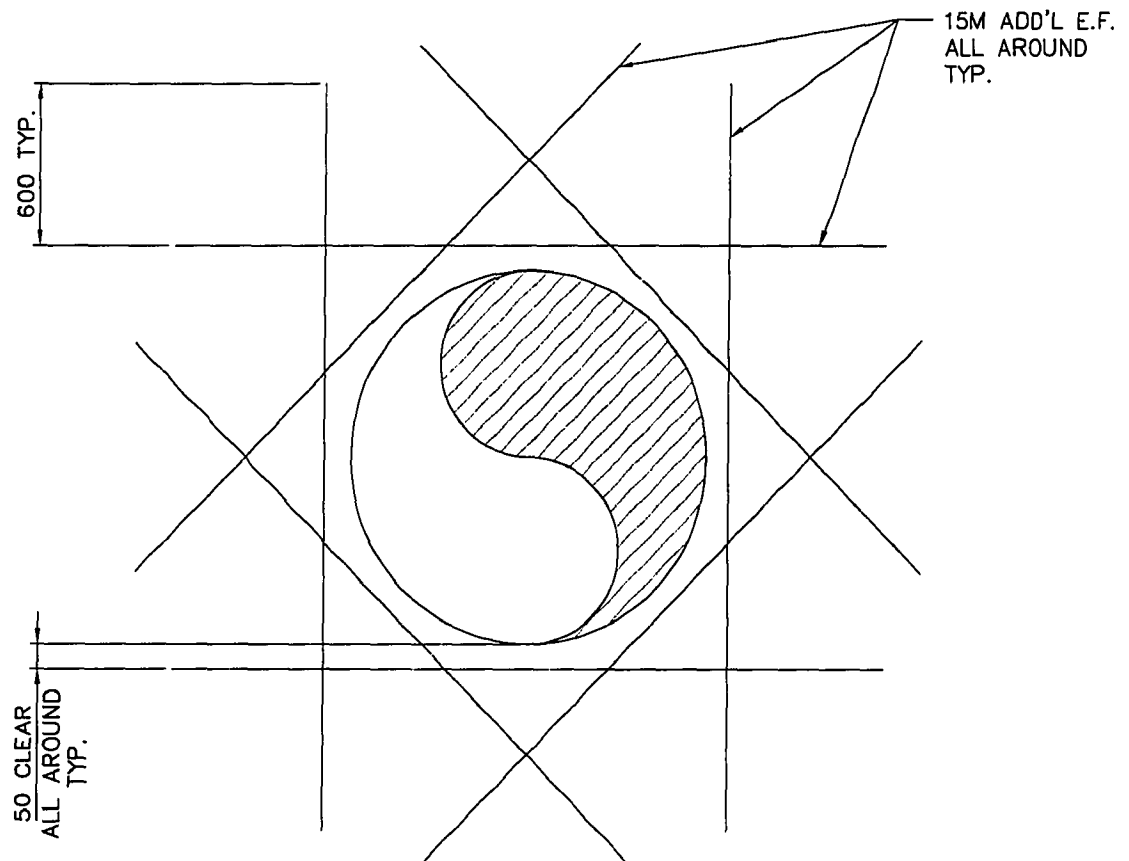
NOTE:
CONC. BEDDING SHALL CONTINUE WESTERLY UNTIL THE PIPE IS IN ORIGINAL SOIL AND VERT. FROM VIRGIN SOIL BELOW TO 1/4" OF O.D. OF THE PIPE ABOVE THE BOTTOM OF THE PIPE. ALL SNOW, ICE AND FROST SHALL BE REMOVED FROM BENEATH OF PIPE PRIOR TO BEDDING PLACEMENT.



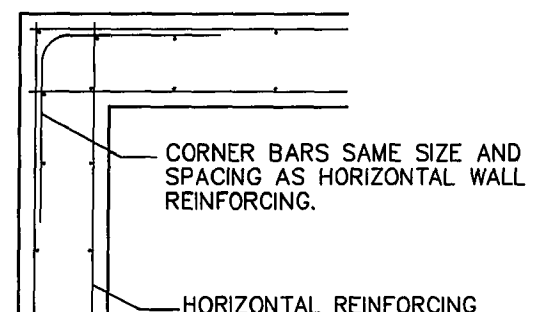
PLAN SHOWING EXTRA REINFORCING AROUND OPENINGS 150 TO 280



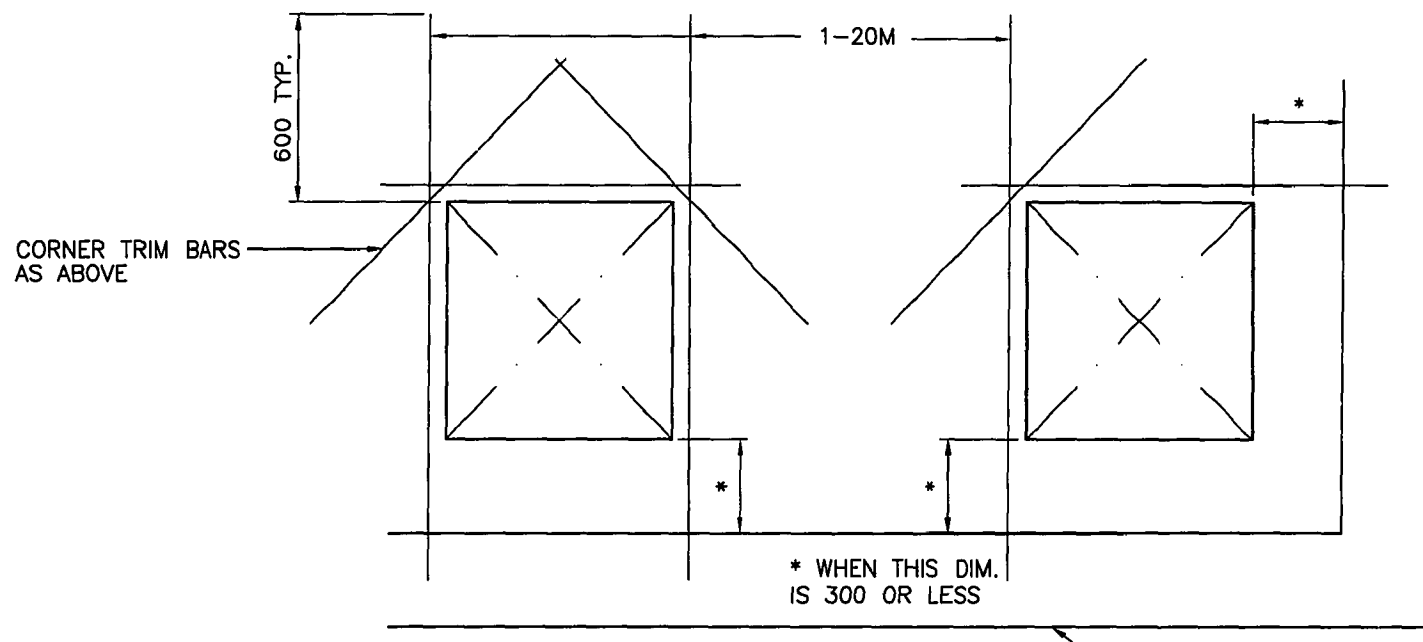
WHEN OPENING IS MORE THAN 300 FROM BEAM OR WALL



EXTRA REINF. AROUND PIPE CAST IN WALL-MAX. PIPE 1800φ
N.T.S.

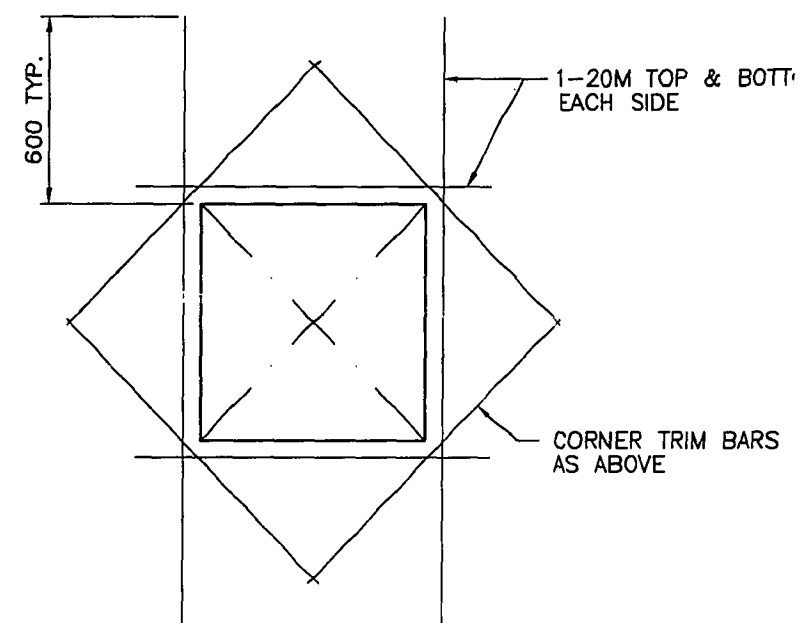


TYPICAL CORNER DETAIL WALL REINFORCING
N.T.S.

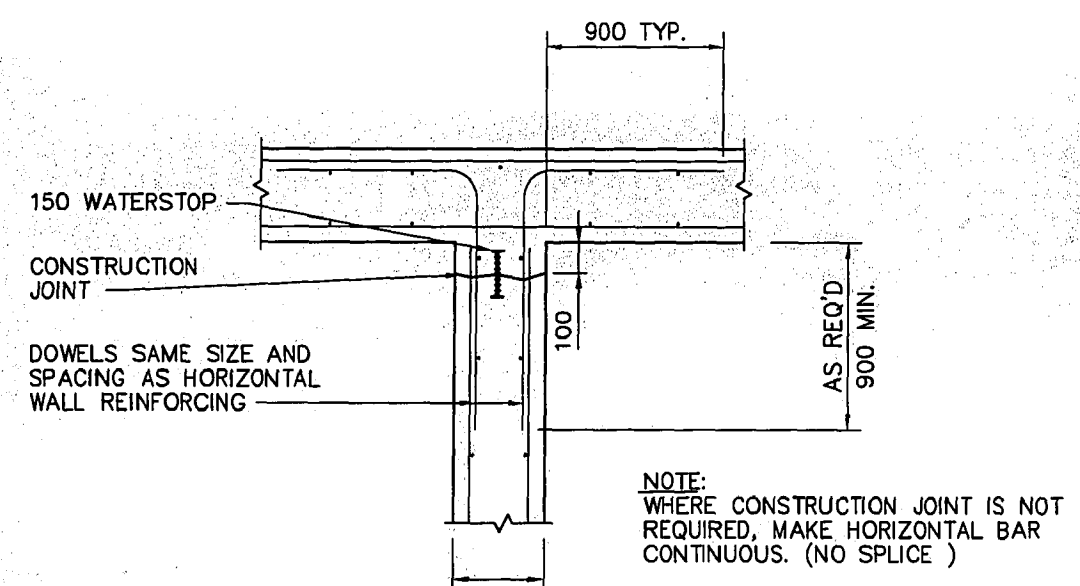


PLAN SHOWING EXTRA REINFORCING AROUND OPENINGS 300 TO 760

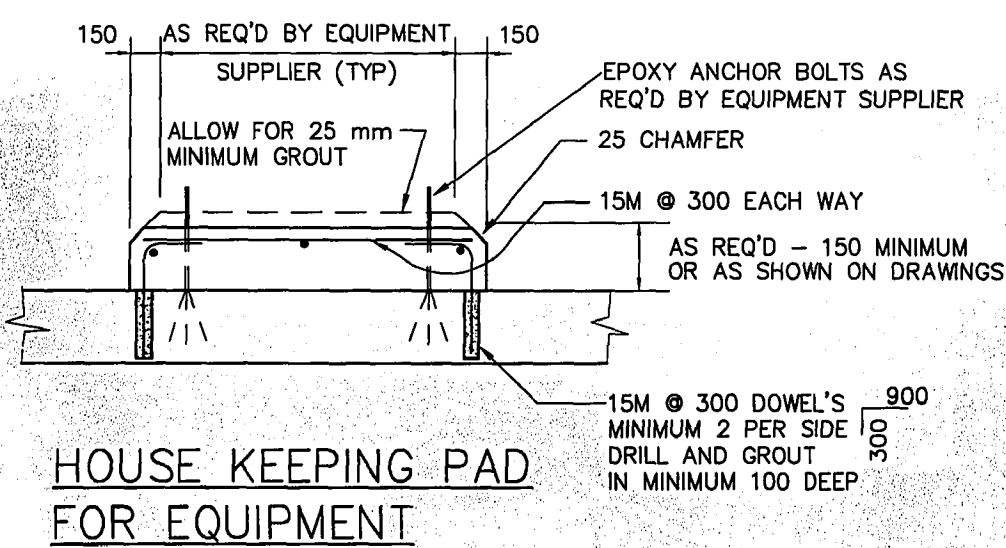
- NOTES:**
- NUMBER OF REINF. BARS CUT TO BE KEPT AT A MINIMUM. DEFLECT AS MANY BARS AS POSSIBLE AROUND OPENING.
 - REINF. BARS TO BE KEPT 50mm CLEAR OF OPENING.
 - CIRCULAR OPENINGS TO BE TREATED IN THE SAME MANNER AS RECTANGULAR OPENINGS.
 - FOR REINF. AROUND A HOLE LARGER THAN 760mm IN ANY DIRECTION, SEE SLAB REINF. DWG.
 - WHERE REINF. SHOWN ON A DWG. DIFFERS FROM THIS STANDARD, THEN THE DWG. HAS PRIORITY.



WHEN OPENING IS MORE THAN 300 FROM BEAM OR WALL

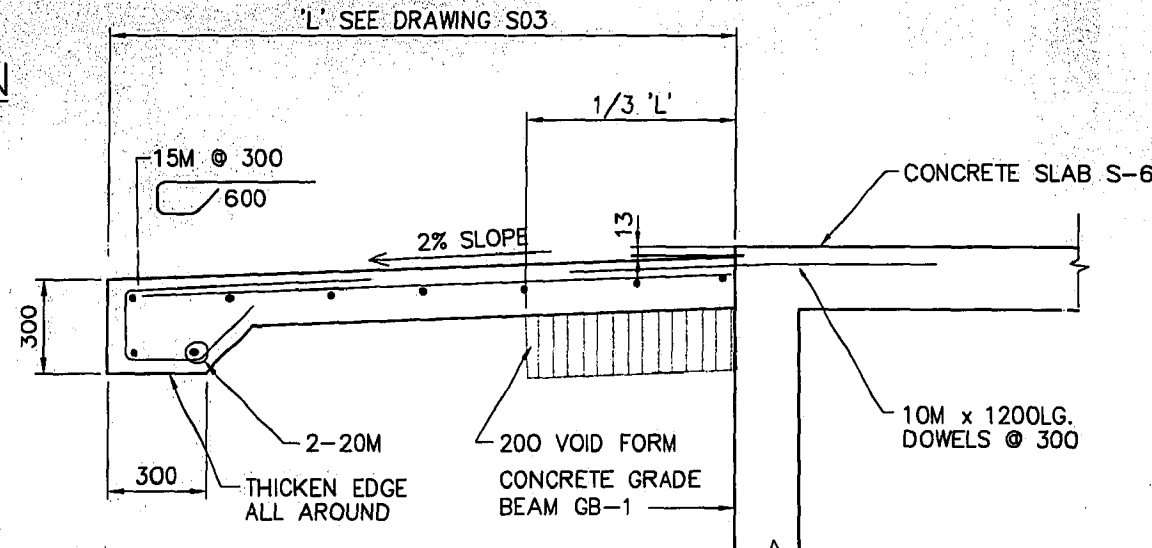


TYPICAL REINFORCING AT WALL INTERSECTION
N.T.S.

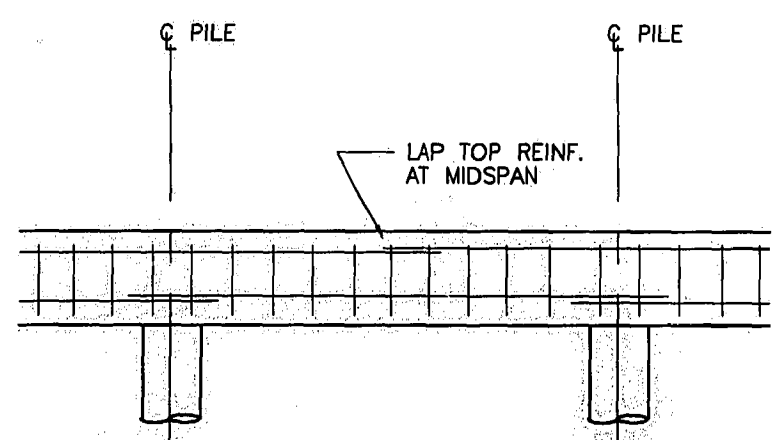


HOUSE KEEPING PAD FOR EQUIPMENT
N.T.S.

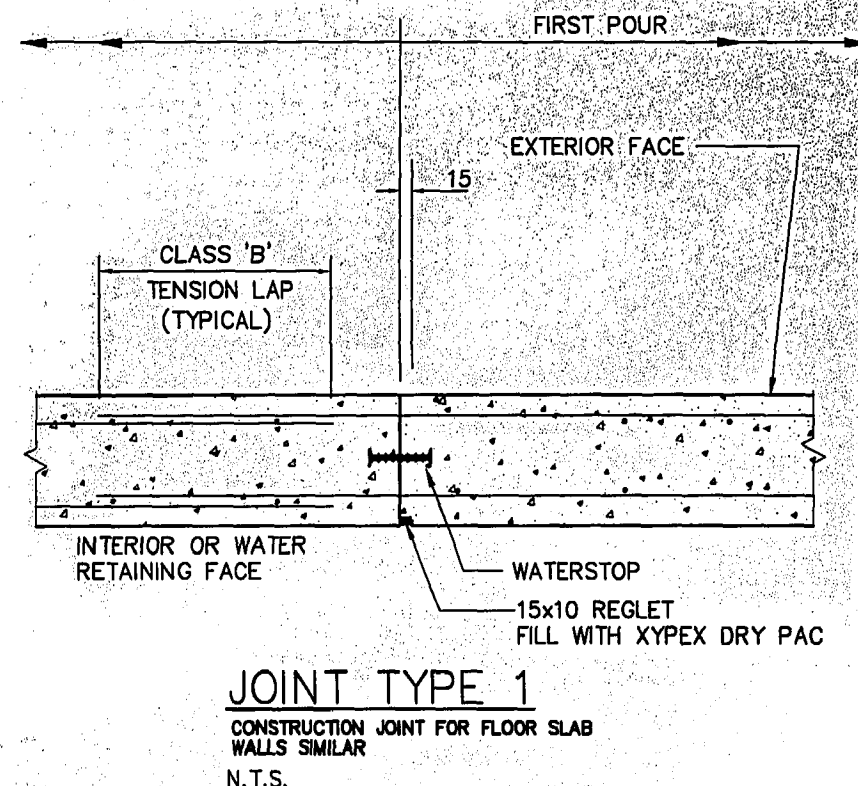
REINFORCING AROUND OPENINGS IN STRUCTURAL SLAB



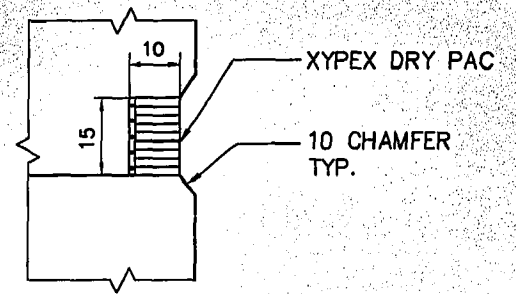
TYPICAL CONCRETE APRON
SCALE N.T.S.



GRADE BEAM SPLICE DETAIL



JOINT TYPE 1
CONSTRUCTION JOINT FOR FLOOR SLAB WALLS SIMILAR
N.T.S.



TYPICAL REGLET DETAIL
N.T.S.

THESE RECORD DRAWINGS HAVE BEEN PREPARED, IN PART, ON THE BASIS OF INFORMATION COMPILED AND FURNISHED BY OTHERS. AS A RESULT, THE ENGINEER WILL NOT BE RESPONSIBLE FOR ANY ERRORS OR OMISSIONS WHICH HAVE BEEN INCORPORATED INTO THIS DOCUMENT.

REID CROWTHER & PARTNERS LIMITED
WINNIPEG
RECORD DRAWING
SIG. *John K...* DATE 99/09/24

		ENGINEER'S SEAL ORIGINAL SIGNED BY D.C. NICHOLLS 7/22/1998		
DESIGNED BY MEB/NHK DRAWN BY C.T.		CHECKED BY DGN/DLH APPROVED BY AL		CITY DRAWING NUMBER SEP-2421 SHEET OF
HOR. SCALE: AS NOTED VERTICAL:		RELEASED FOR CONSTRUCTION BY:		CONCRETE SECTIONS AND DETAILS SHEET 3 OF 3 REV-1
1 RECORD DRAWING 99/09/24 R.D. 0 ISSUED FOR TENDER 98/07/27 C.T.		DATE 98/05/07		CONSULTANT DRAWING NO. 61786.01 S08