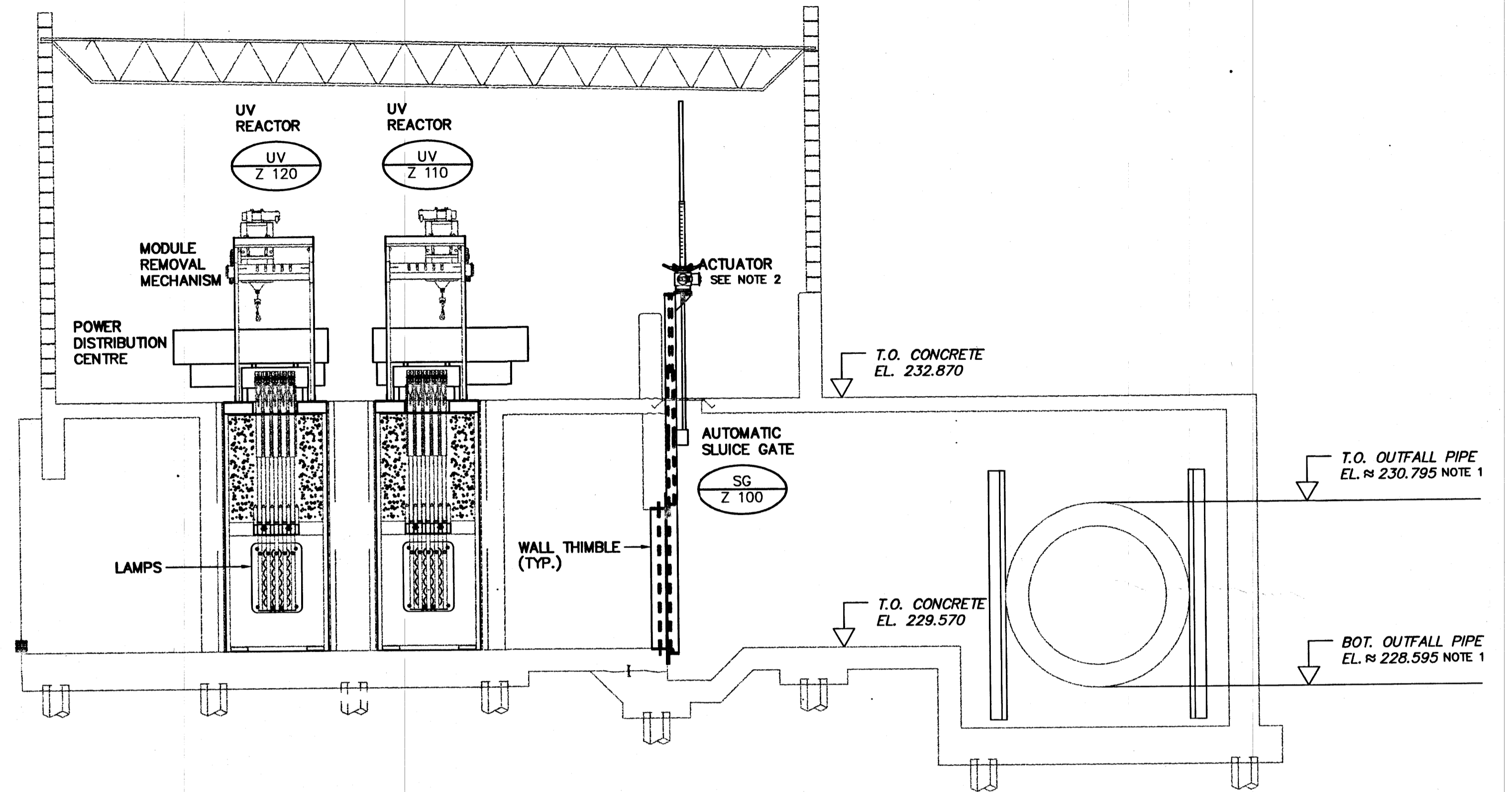
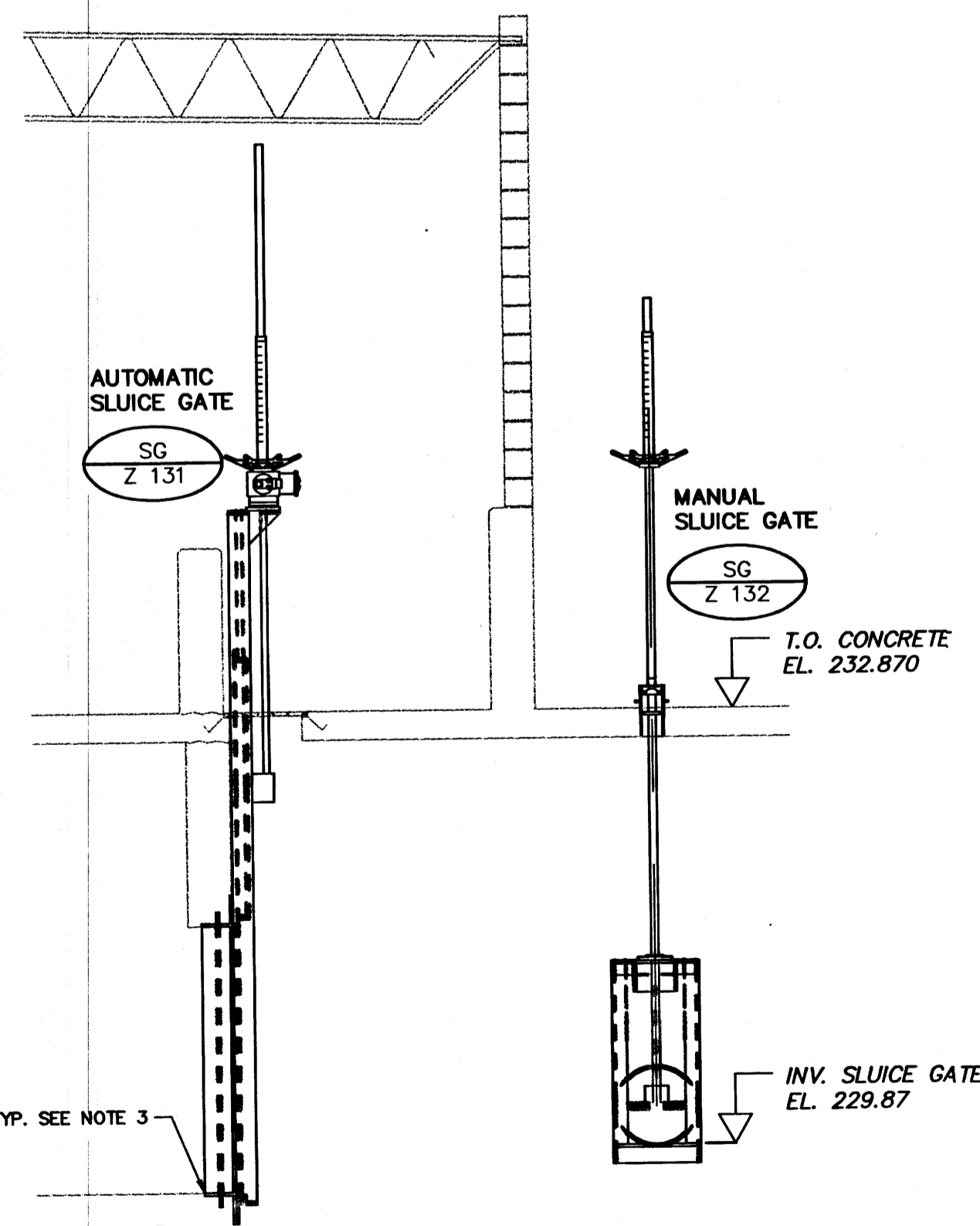


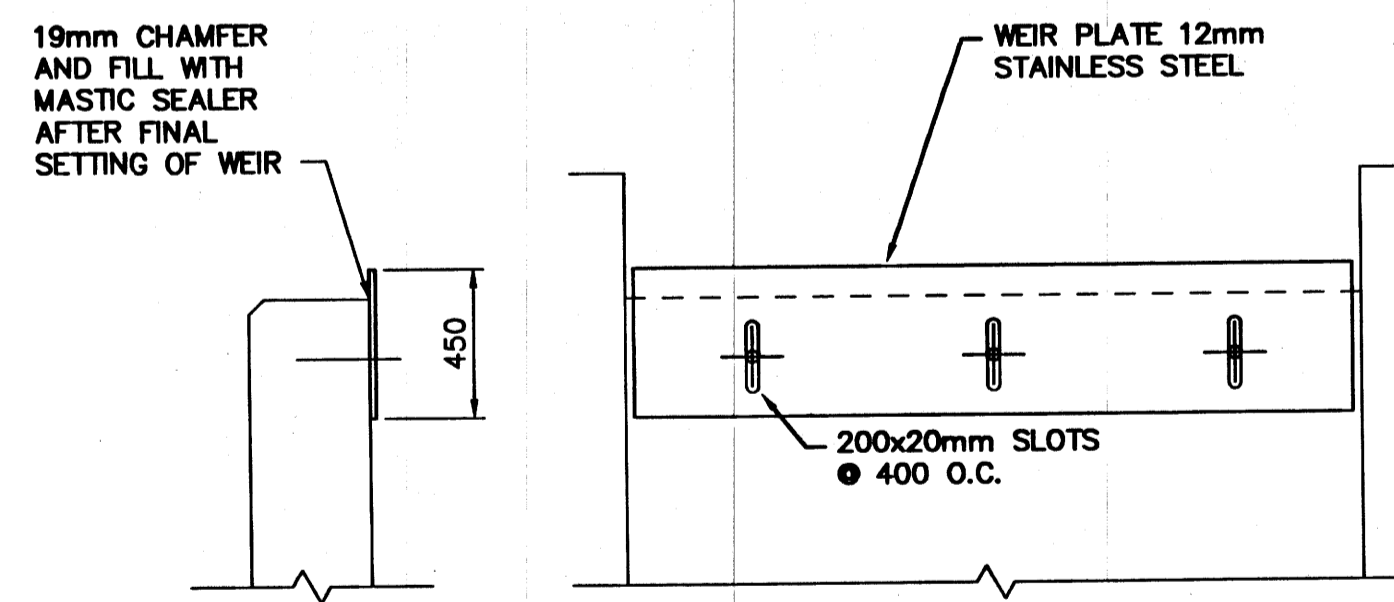
1 SLUICE GATE DETAIL 1
SCALE N.T.S.



2 SECTION
SCALE 1:50

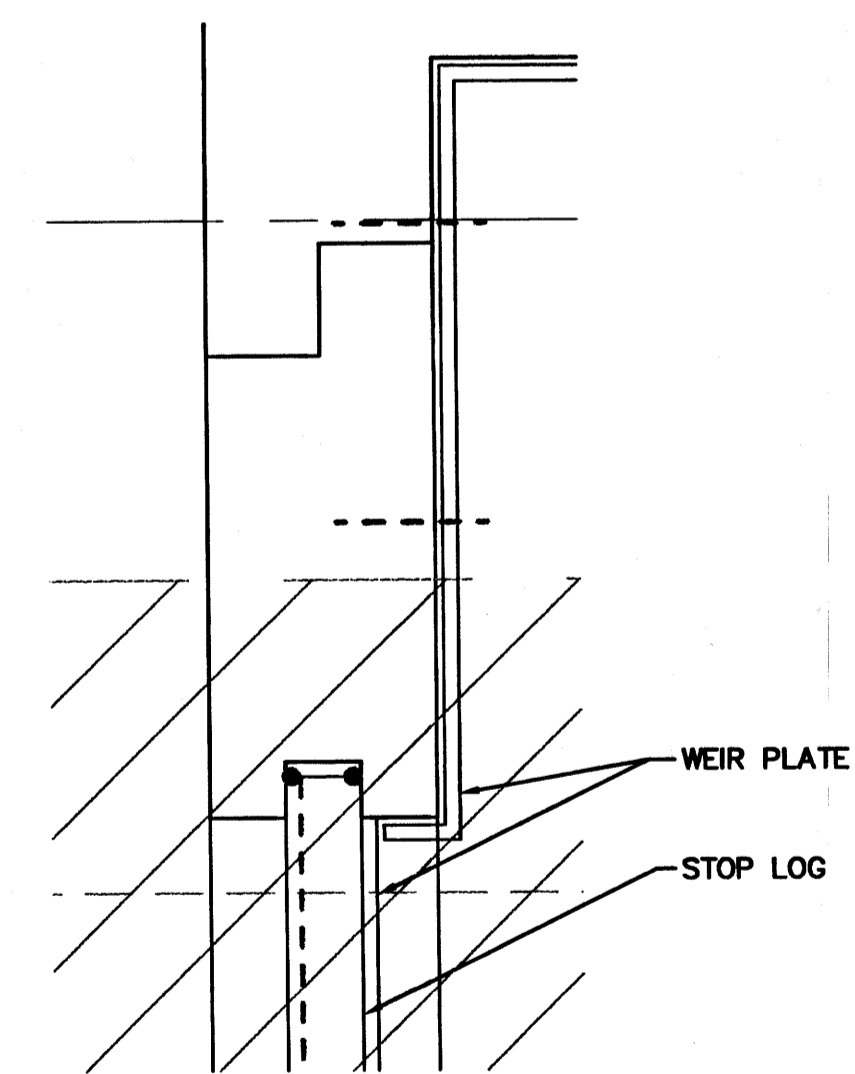


4 SLUICE GATE DETAIL 2
SCALE N.T.S.



A WEIR PLATE DETAIL 1
SCALE N.T.S.

NOTE:
WEIR PLATE SHOULD RUN ALONG ENTIRE INSIDE PERIMETER OF THE WET WEATHER BY-PASS WALL.



B WEIR PLATE DETAIL 2
SCALE N.T.S.

- NOTES:
- 1). EXISTING ELEVATIONS AND DIMENSIONS.
 - 2). ACTUATORS TO BE LOCATED ABOVE CONCRETE WALL.
 - 3). SLUICE GATES ARE TO INCLUDE WALL THIMBLES.

THESE RECORD DRAWINGS HAVE BEEN PREPARED, IN PART, ON THE BASIS OF INFORMATION COMPILED AND FURNISHED BY OTHERS. AS A RESULT, THE ENGINEER WILL NOT BE RESPONSIBLE FOR ANY ERRORS OR OMISSIONS WHICH HAVE BEEN INCORPORATED INTO THIS DOCUMENT.

REID CROWTHER & PARTNERS LIMITED
WINNIPEG
RECORD DRAWING
SIG. DATE... DATE... 17, 1999.

B.M. ELEV.					
DESIGNED BY	KAS	CHECKED BY	EPS	ENGINEER'S SEAL	
DRAWN BY	LLJ	APPROVED BY		ORIGINAL SIGNED BY D.J. TANGUCHI 7/22/1998	
HOR. SCALE:	AS NOTED	RELEASED FOR CONSTRUCTION BY:		CONSULTANT DRAWING NO. 61786.01 P10	
VERTICAL:		DATE	98/04/15		
NO. REVISIONS		DATE			
1	RECORD DRAWING	99/09/17	LLJ		
0	ISSUED FOR TENDER	98/07/27	LLJ		

THE CITY OF WINNIPEG
WATER AND WASTE DEPARTMENT

SOUTH END WATER POLLUTION CONTROL CENTRE
EFFLUENT DISINFECTION FACILITY

CITY DRAWING NUMBER SEP-2433
SHEET OF

SECTIONS AND DETAILS

REV-1

DETAILS
REF. TO DRAWING NO.

3130110300