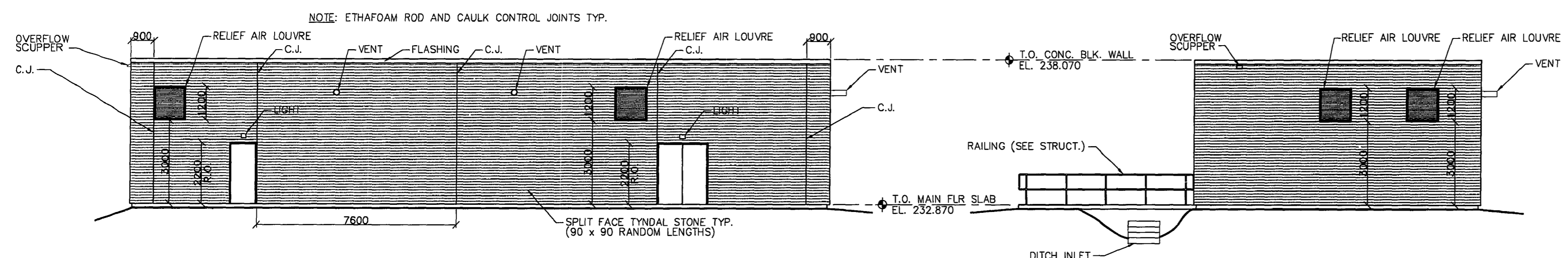


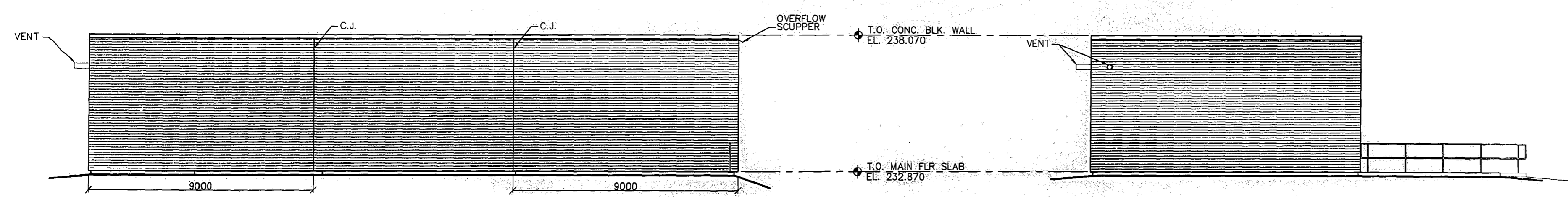
1 BUILDING SECTION
SCALE 1:100

2 BUILDING SECTION
SCALE 1:100



SOUTH ELEVATION
Scale: 1:100

WEST ELEVATION
Scale: 1:100



NORTH ELEVATION
Scale: 1:100

EAST ELEVATION
Scale: 1:100

THESE RECORD DRAWINGS HAVE BEEN PREPARED, IN PART, ON THE BASIS OF INFORMATION COMPILED AND FURNISHED BY OTHERS. AS A RESULT, THE ENGINEER WILL NOT BE RESPONSIBLE FOR ANY ERRORS OR OMISSIONS WHICH HAVE BEEN INCORPORATED INTO THIS DOCUMENT.

REID CROWTHER & PARTNERS LIMITED
WINNIPEG
RECORD DRAWING
SIG. *[Signature]* DATE 99/09/24

B.M. ELEV.					
DESIGNED BY	NC	CHECKED BY	TAM		
DRAWN BY	TM	APPROVED BY	AL		
1 RECORD DRAWING	99/09/24	RD	HOR. SCALE: 1:100	RELEASED FOR CONSTRUCTION BY:	
0 ISSUED FOR TENDER	98/07/27	TM	VERTICAL: 1:100		
NO. REVISIONS		BY	DATE 1998/06/10	DATE	

ENGINEER'S SEAL
ORIGINAL SEALED BY
N. COOPER
98/07/23
CONSULTANT DRAWING NO.
61786.01 A02

THE CITY OF WINNIPEG
WATER AND WASTE DEPARTMENT

SOUTH END WATER POLLUTION CONTROL CENTRE
EFFLUENT DISINFECTION FACILITY
CITY DRAWING NUMBER
SEP-244-2469
SHEET OF

BUILDING SECTIONS
AND ELEVATIONS
REV-1