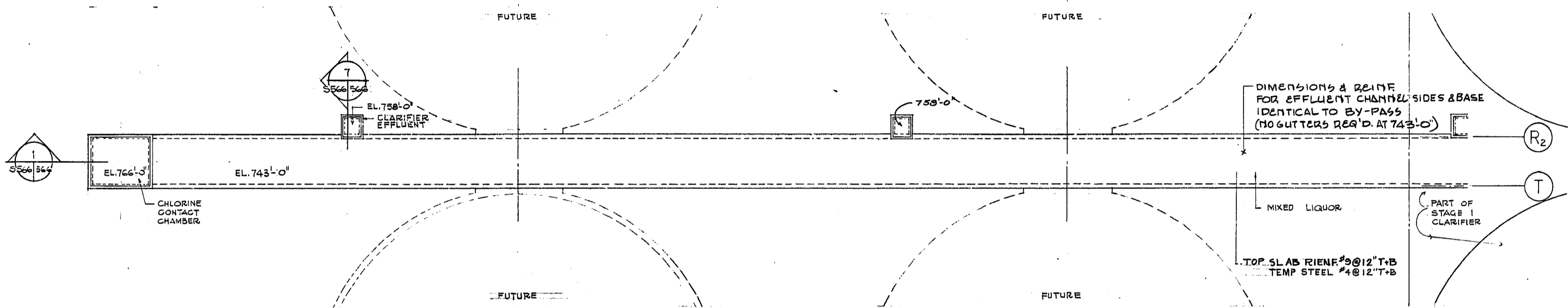
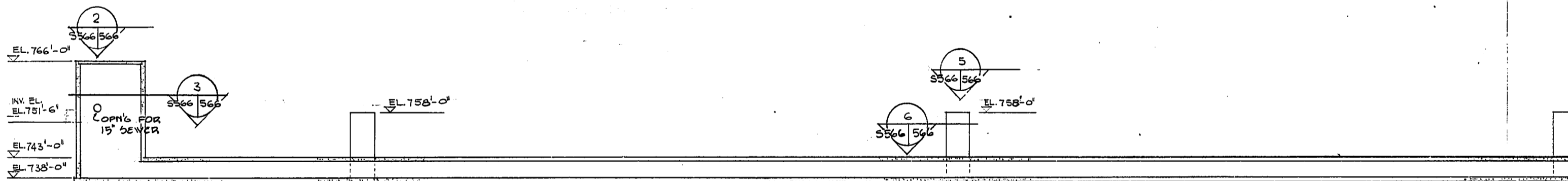


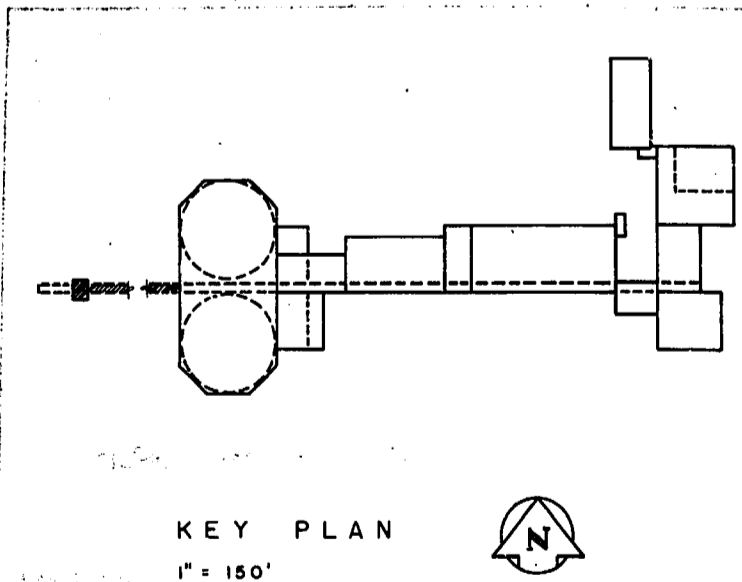
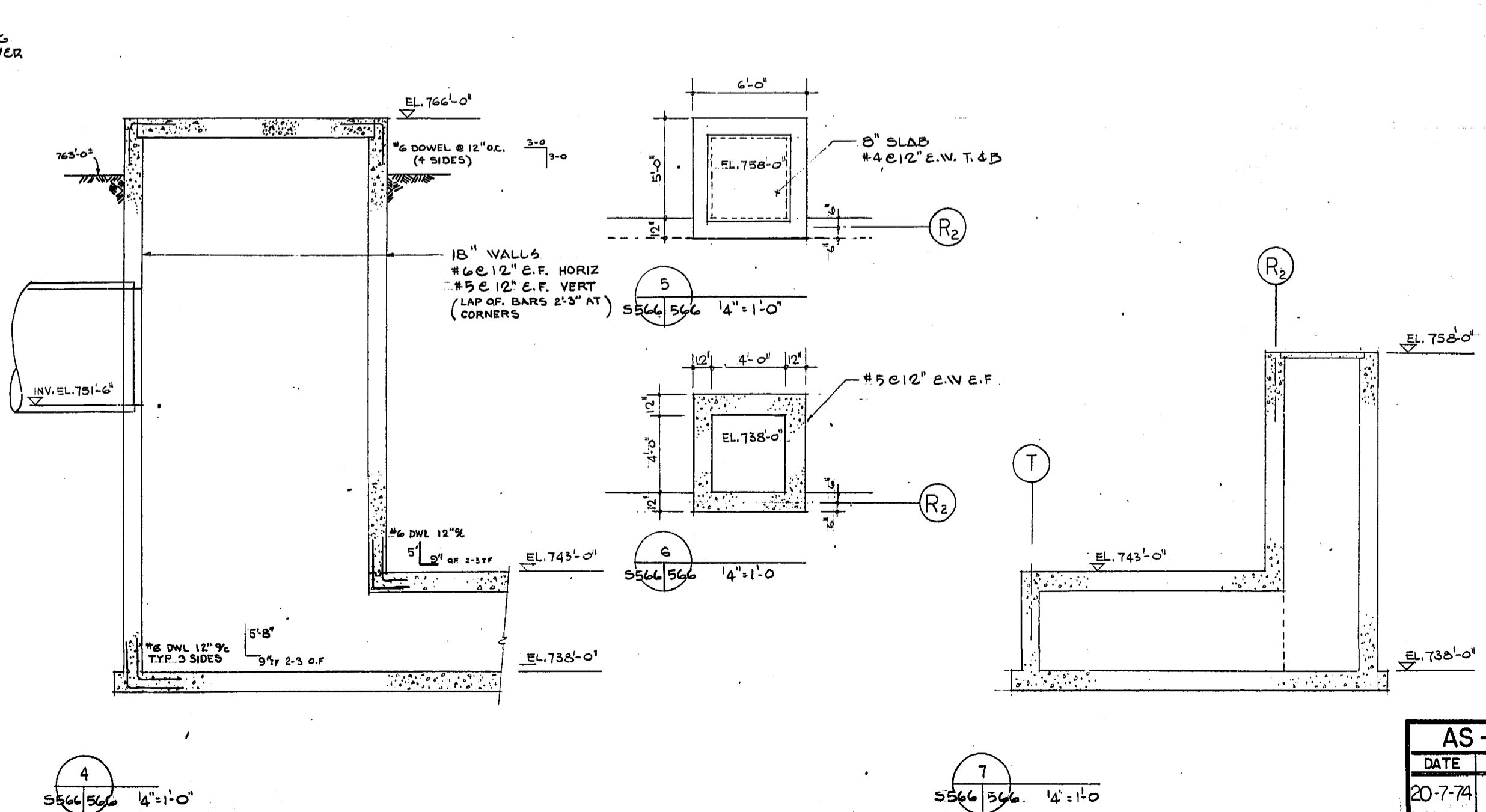
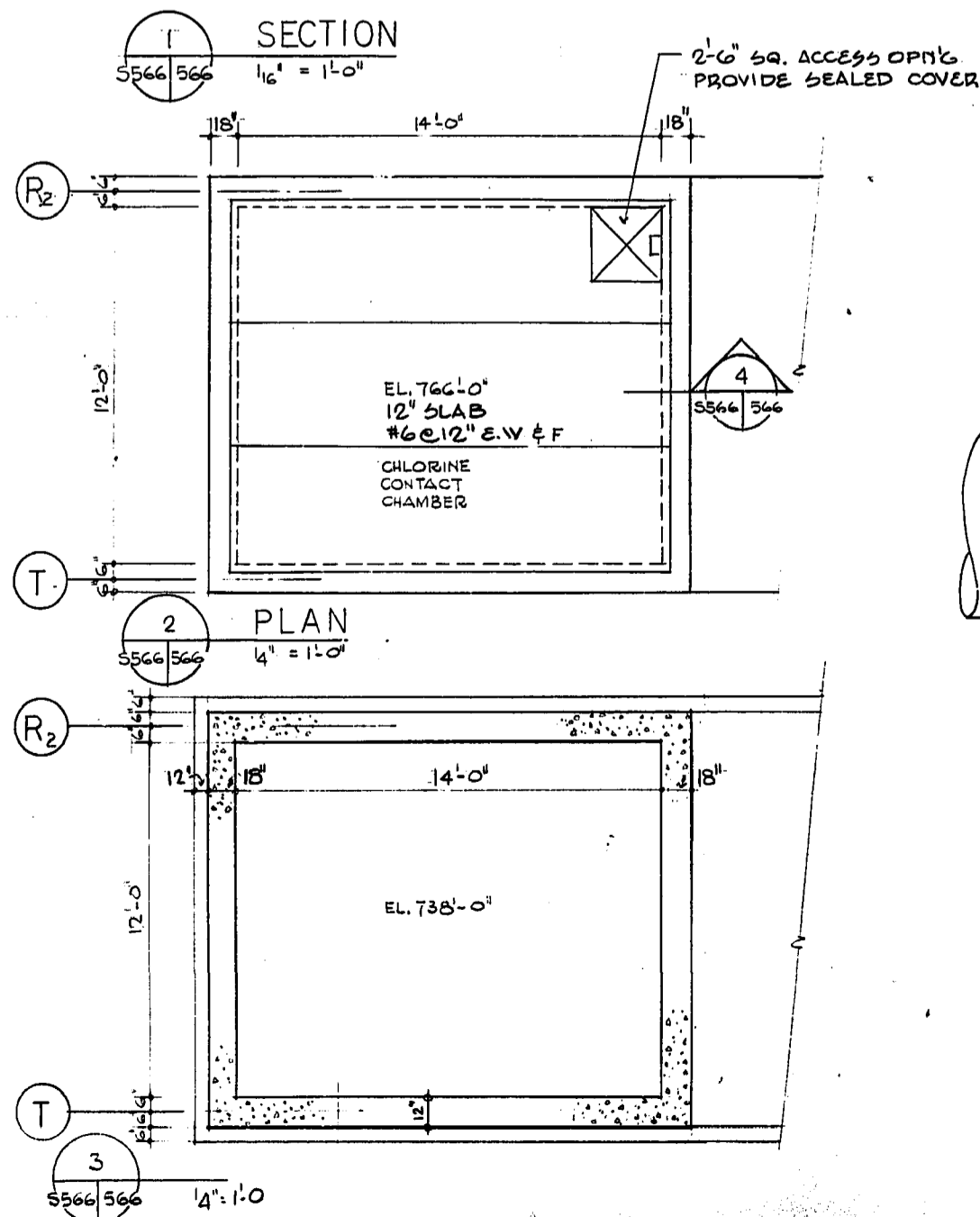
PILING PLAN & BOTTOM OF SLAB
 ALL PILES 16" HEX.
 PILE CUTOFF ELEV. 736'-9"
 1/4" = 1'-0"



PLAN OF EFFLUENT CHANNEL
 1/4" = 1'-0"



SECTION
 1/4" = 1'-0"



REVISIONS		THE METROPOLITAN CORPORATION OF GREATER WINNIPEG WATERWORKS & WASTE DISPOSAL DIVISION A. PENMAN - DIRECTOR	
No.	DATE	DESCRIPTION	

W. L. WARDROP & ASSOCIATES LTD.
 ENGINEERING CONSULTANTS
 WINNIPEG — THUNDER BAY — REGINA — TORONTO

SOUTH END WATER POLLUTION CONTROL CENTRE
 EFFLUENT CHANNEL - STRUCTURAL
 PILING & CONCRETE DETAILS

SCALE: AS SHOWN
 DATE: OCTOBER 1971
 APPROVED (W.L.W.): [Signature]
 W.L.W. FILE NO. 70012-01-S-566
 DRAWING NO. S.E.P. - 93

AS - BUILT
 DATE: 20-7-74
 FB. NO. PAGE

PROVINCE OF MANITOBA
 R. RUZICKA
 REGISTERED ENGINEER