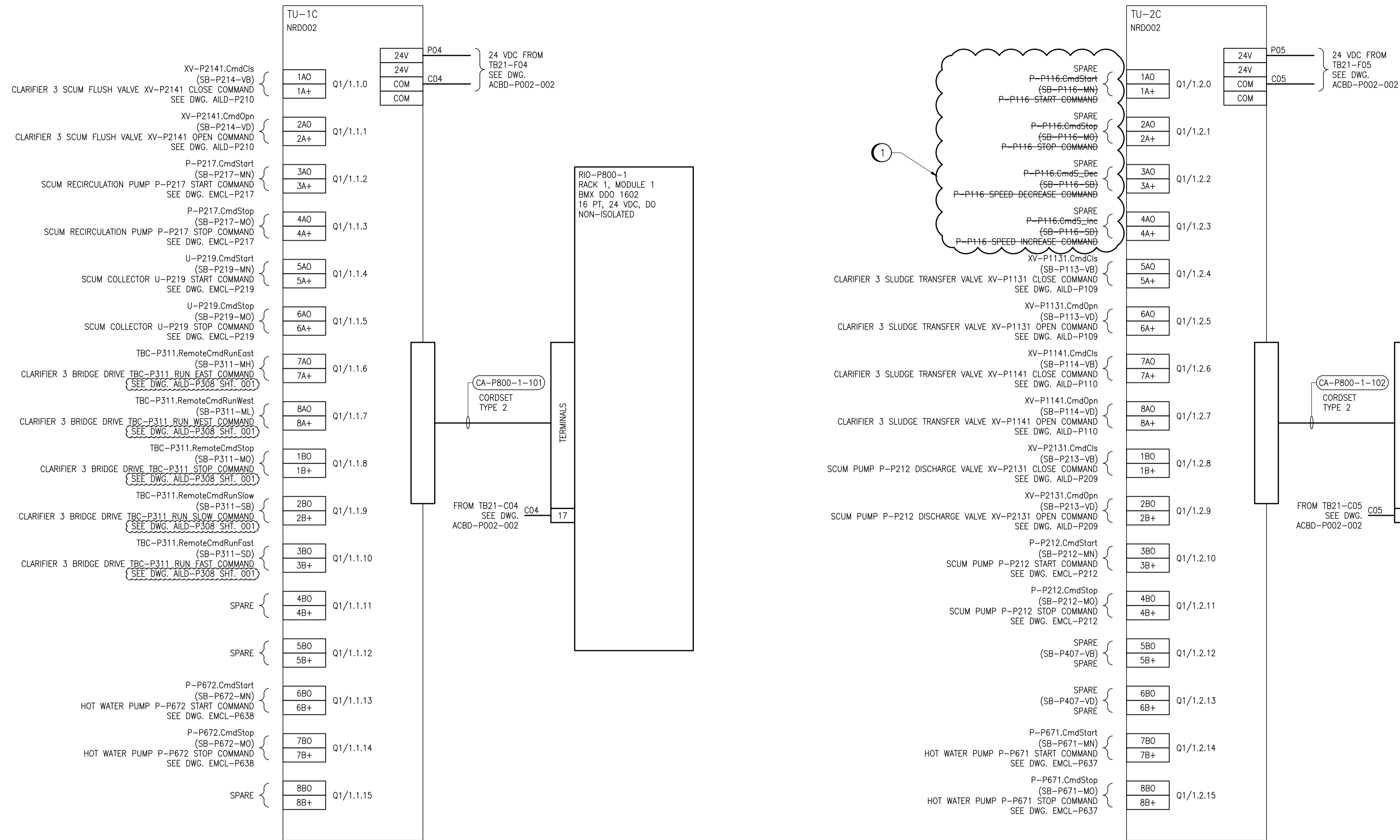


SPECIFIC NOTES

- 1 EQUIPMENT BEING REMOVED AS PART OF THIS PROJECT. REMOVE WIRING, TAPE OFF ENDS AND LABEL AS SPARE.



NOTES

- 1. PREVIOUS IO POINT IDENTIFIERS ARE SHOWN IN PARENTHESES.

FOR INFORMATION ONLY
NOT IN CONTRACT 682-2018

<p>KGS GROUP CONSULTING ENGINEERS</p>		<p>ENGINEER'S SEAL</p>	
<p>DESIGNED BY: D. WILSON</p>		<p>CHECKED BY: J. BOUCHARD</p>	
<p>DRAWN BY: G. NELSON</p>		<p>APPROVED BY: D. WILSON</p>	
<p>SCALE: NTS</p>		<p>ISSUED FOR CONSTRUCTION BY: B. STATION</p>	
<p>DATE: 2018/07/20</p>		<p>DATE: 2018/08/27</p>	
<p>CONSULTANT NO.: -</p>			
<p>01 ISSUED FOR INFORMATION - 682-2018 2018/08/27 DDW JAB</p>		<p>00 ISSUED FOR CONSTRUCTION - 976-2016 2017/04/05 SSB TMC</p>	
NO.	REVISIONS	DATE	DESIGN/CHECK
<p>THE CITY OF WINNIPEG WATER AND WASTE DEPARTMENT</p>			
<p>SOUTH END WATER POLLUTION CONTROL CENTRE SEWPCC UPGRADING/EXPANSION PROJECT AUTOMATION - WIRING DIAGRAM PRIMARY CLARIFIERS</p>			
<p>CP-P820-1 AND CP-P820-2, RIO-P800-1 - DISCRETE OUTPUTS</p>			
<p>CITY DRAWING NUMBER 1-0102-ACBD-P004</p>		SHEET	REV. SIZE
<p>001</p>		01	A1