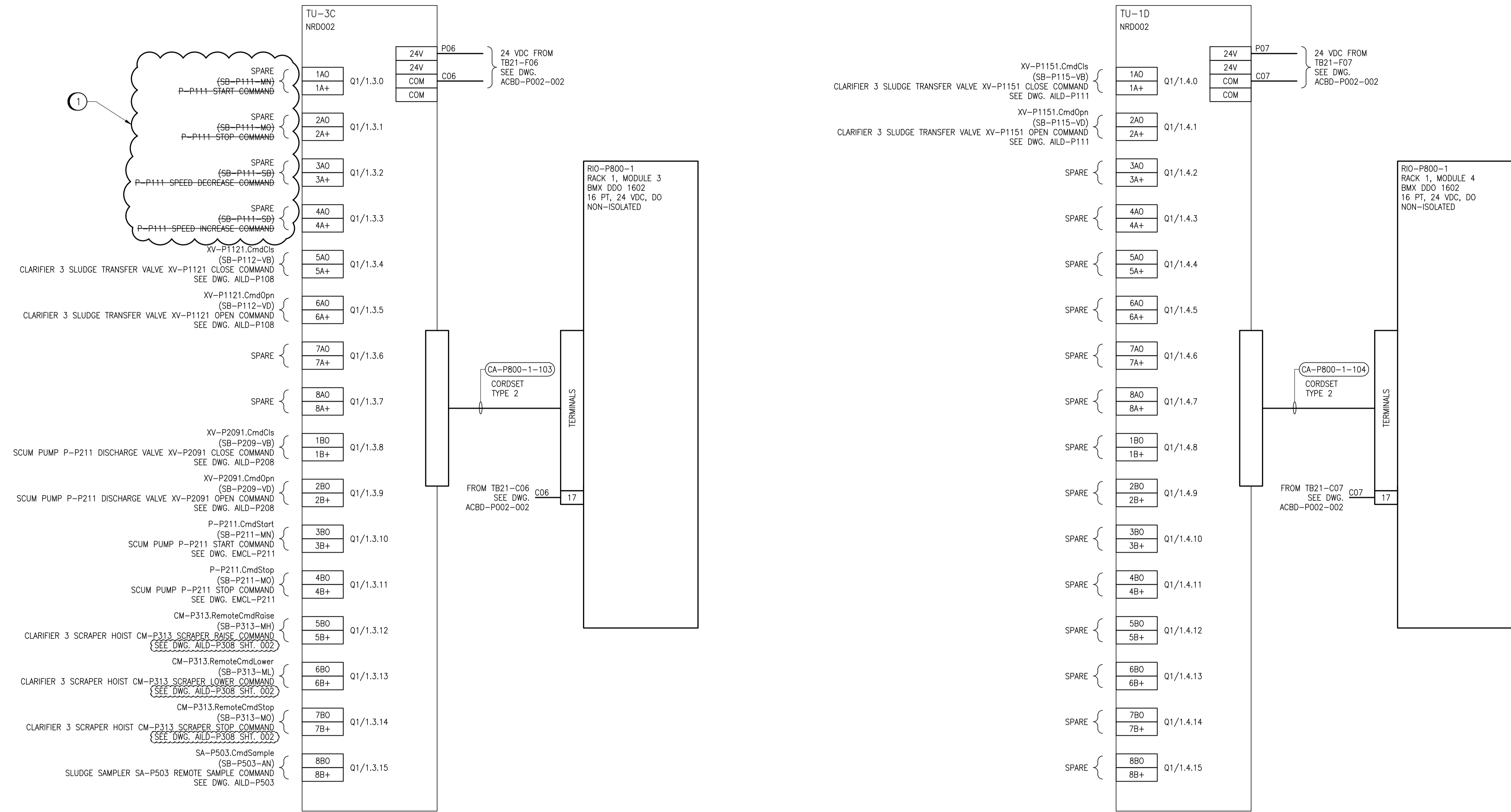


SPECIFIC NOTES:
 ① EQUIPMENT BEING REMOVED AS PART OF THIS PROJECT. REMOVE WIRING, TAPE OFF ENDS AND LABEL AS SPARE.



NOTES
 1. PREVIOUS IO POINT IDENTIFIERS ARE SHOWN IN PARENTHESES.

FOR INFORMATION ONLY
 NOT IN CONTRACT 682-2018

		ENGINEER'S SEAL	
DESIGNED BY: D. WILSON	CHECKED BY: J. BOUCHARD		
DRAWN BY: G. NELSON	APPROVED BY: D. WILSON	SOUTH END WATER POLLUTION CONTROL CENTRE SEWPCC UPGRADING/EXPANSION PROJECT AUTOMATION - WIRING DIAGRAM PRIMARY CLARIFIERS CP-P820-1 AND CP-P820-2, RIO-P800-1 - DISCRETE OUTPUTS	
SCALE: NTS	ISSUED FOR CONSTRUCTION BY: B. STATION	CITY DRAWING NUMBER: 1-0102-ACBD-P004	
DATE: 2018/07/20	DATE: 2018/08/27	SHEET:	REV.:
CONSULTANT NO.:		002	01
NO. REVISIONS	DATE	DESIGN	CHECK
01	2018/08/27	DDW	JAB
00	2017/04/05	SSB	TMC

FILE NAME: 1-0102-ACBD-P004-002.dwg

REFERENCE DRAWINGS	DESCRIPTION