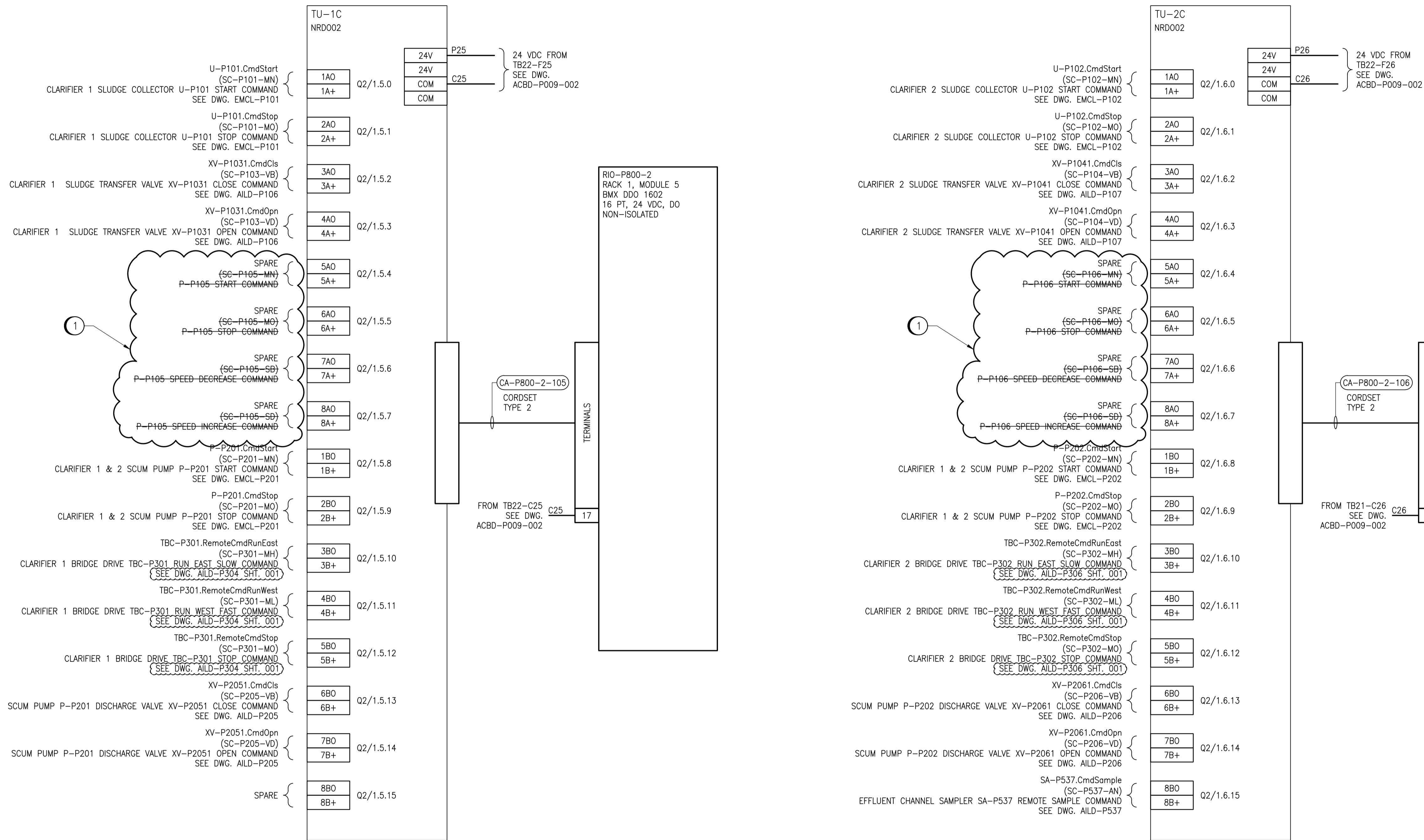


**SPECIFIC NOTES:**  
 1 EQUIPMENT BEING REMOVED AS PART OF THIS PROJECT. REMOVE WIRING, TAPE OFF ENDS AND LABEL AS SPARE.



**NOTES**  
 1. PREVIOUS IO POINT IDENTIFIERS ARE SHOWN IN PARENTHESES.

**FOR INFORMATION ONLY**  
 NOT IN CONTRACT 682-2018

		ENGINEER'S SEAL	
DESIGNED BY: D. WILSON	CHECKED BY: J. BOUCHARD		
DRAWN BY: G. NELSON	APPROVED BY: D. WILSON	SOUTH END WATER POLLUTION CONTROL CENTRE SEWPCC UPGRADING/EXPANSION PROJECT AUTOMATION - WIRING DIAGRAM PRIMARY CLARIFIERS CP-P820-3 AND CP-P820-4, RIO-P800-2 - DISCRETE OUTPUTS	
SCALE: NTS	ISSUED FOR CONSTRUCTION BY: B. STATION	CITY DRAWING NUMBER 1-0102-ACBD-P011	
DATE: 2018/07/20	DATE: 2018/08/27	SHEET 001	REV. 01
CONSULTANT NO.:		SIZE A1	