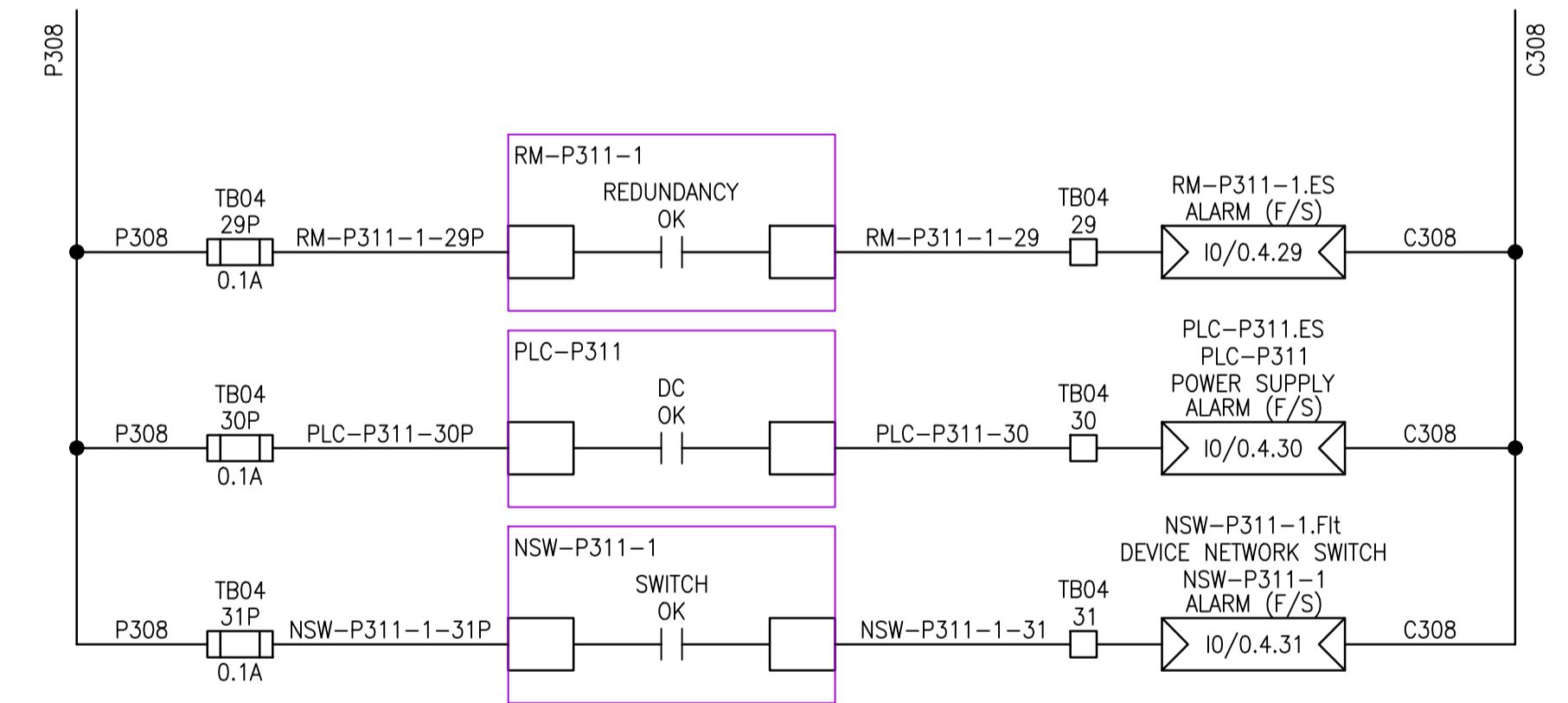
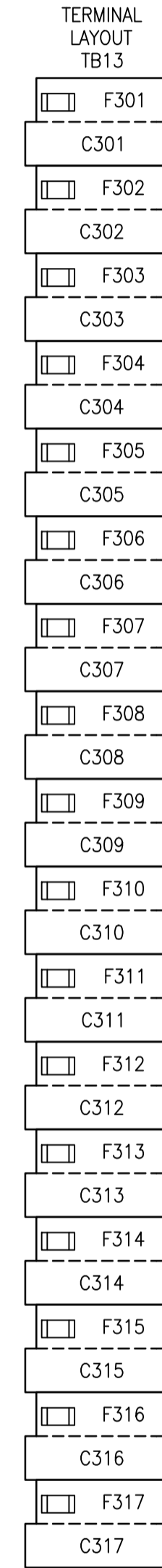
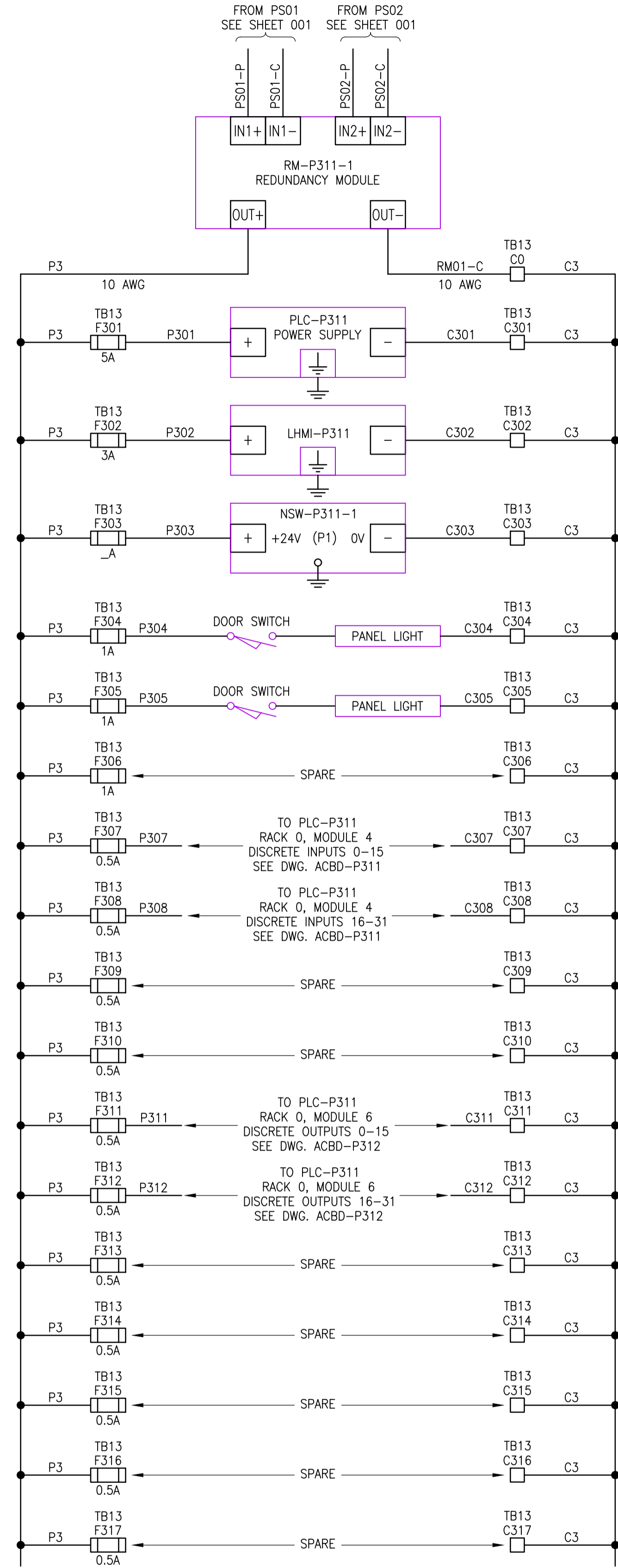


FUSE SCHEDULE			
TB	IDENTIFIER	SIZE	RATING
TB13	F301	5x20mm	5A TD
	F302	5x20mm	3A TD
	F303	5x20mm	T.B.D
	F304	5x20mm	1A FA
	F305	5x20mm	1A FA
	F306	5x20mm	1A FA
	F307	5x20mm	0.5A FA
	F308	5x20mm	0.5A FA
	F309	5x20mm	0.5A FA
	F310	5x20mm	0.5A FA
	F311	5x20mm	0.5A FA
	F312	5x20mm	0.5A FA
	F313	5x20mm	0.5A FA
	F314	5x20mm	0.5A FA
	F315	5x20mm	0.5A FA
	F316	5x20mm	0.5A FA
	F317	5x20mm	0.5A FA

NOTES
 FA = FAST ACTING
 TD = TIME DELAY

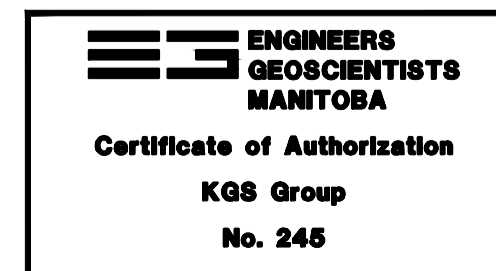
RM-P311-1 POWER CONSUMPTION SCHEDULE AT 24 VDC				
LOAD	QTY.	CURRENT (mA)	SUBTOTAL (mA)	NOTES
PLC-P311	1	1650	1650	1
LHMI-P311	1	2083	2083	2
DISCRETE INPUTS	32	2.5	80	2
DISCRETE OUTPUTS	32	100	3200	2
NETWORK SWITCH	1	T.B.A.	T.B.A.	2
LED24V15	2	500	1000	2
TOTAL			7113	

NOTES
 1. BASED ON MAXIMUM SUPPLY CURRENT ON POWER SUPPLY DATA SHEET.
 2. BASED ON DATA SHEET.
 3. ESTIMATED.



LEGEND:
 EQUIPMENT GROUND

REFERENCE DRAWINGS	DESCRIPTION



NO.	REVISIONS	DATE	DESIGN	CHECK
00	ISSUED FOR CONSTRUCTION - 682-2018	2018/08/27	DDW	JAB

KGS GROUP CONSULTING ENGINEERS	
DESIGNED BY: D. WILSON	CHECKED BY: J. BOUCHARD
DRAWN BY: G. NELSON	APPROVED BY: D. WILSON
SCALE: AS SHOWN	ISSUED FOR CONSTRUCTION BY: B. STATION
DATE: 2018/07/20	DATE: 2018/08/27
CONSULTANT NO.: 1-0102-ACBD-P310-002	

ENGINEER'S SEAL

THE CITY OF WINNIPEG
 WATER AND WASTE DEPARTMENT

SOUTH END WATER POLLUTION CONTROL CENTRE
 TRAVELLING BRIDGES REFURBISHMENT
 AUTOMATION - POWER DISTRIBUTION SCHEMATIC
 PRIMARY CLARIFIERS
 LCP-P311, TRAVELLING BRIDGE PLC CABINET - PLC-P311

CITY DRAWING NUMBER: 1-0102-ACBD-P310 SHEET: 002 REV: 00 SIZE: A1